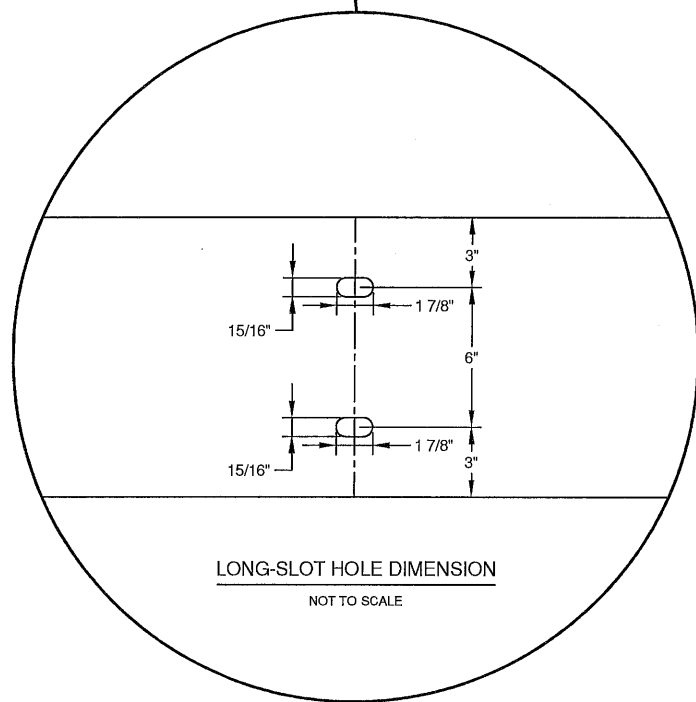


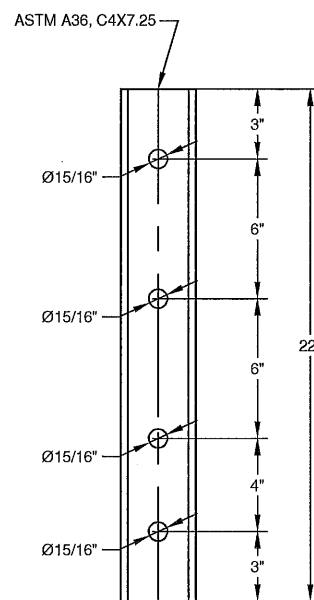
ASTM A 500, GRADE C HSS 12X6X5/16 LONG-SLOT HOLE SPACING DETAIL

NOT TO SCALE



LONG-SLOT HOLE DIMENSION

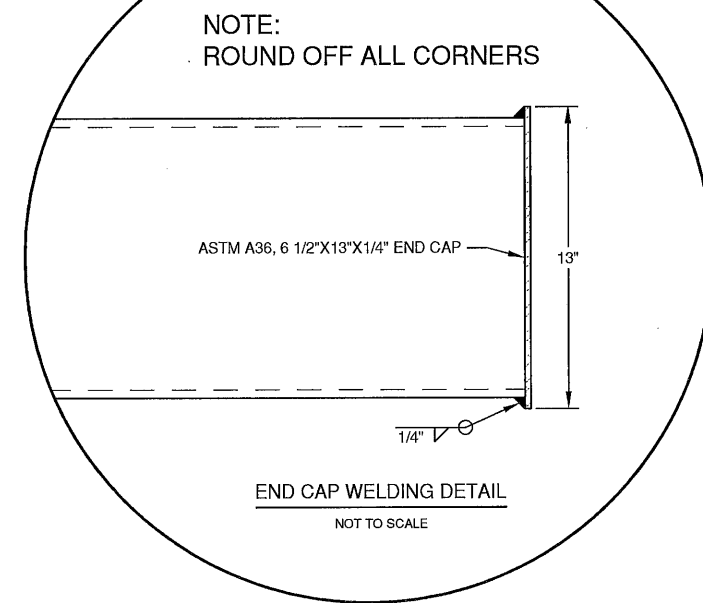
NOT TO SCALE



NOTE:  
QUANTITY 8 CHANNELS

ASTM A36, C4X7.25 CHANNEL DRILLING DETAIL

NOT TO SCALE



NOTE:  
ROUND OFF ALL CORNERS

END CAP WELDING DETAIL

NOT TO SCALE

NOTE:

- BRIDGE CAP AND CHANNELS ARE TO HAVE POLYUREA PROTECTIVE COATING APPLY AFTER ALL FABRICATION
- REQUEST FOR MATERIAL ESTIMATE, LEWIS COUNTY-FRASE BRIDGE



2025 N. E. KRESKY AVE.  
CHEHALIS WA 98532  
PHONE # (360) 740-1123  
FAX # (360) 740-2719

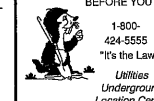
DESIGNED BY : DJC  
DRAWN BY : CGA  
CHECKED BY :  
DATE :

NO.	DATE	REVISION	BY	APP.

FRASE BRIDGE

FEMA PW NO:  
COUNTY PROJECT NO:

SHEET  
1  
OF  
1



Donald J Carney, P.E.  
Senior Engineer Design

Date: \_\_\_\_\_