

Lewis County
Department of Public Works
Engineering Division

**CONTRACT
PROVISIONS AND PLANS
FOR CONSTRUCTION OF:**

TOWNSEND BRIDGE NO. 223

REPLACEMENT PROJECT

COUNTY ROAD PROJECT NO. 2186
FEDERAL AID PROJECT NO. BROS-2021(056)
F. A. Contract No. TA-6340

September 2020

Lewis County Public Works
2025 NE Kresky Ave.
Chehalis, WA 98532-2626



Date: 9/25/2020

BOARD OF COUNTY COMMISSIONERS

Edna Fund, District No. 1
Robert C. Jackson, District No. 2
Gary Stamper, District No. 3

TABLE OF CONTENTS

1
2
3
4
5
6
7
8
9
10
11
12
13
14
15
16
17
18
19
20
21
22
23
24
25
26
27
28
29
30
31
32
33
34
35
36
37
38
39
40
41
42
43

TABLE OF CONTENTS I

SPECIAL PROVISIONS 1

DIVISION 1..... 1

GENERAL REQUIREMENTS..... 1

1-01.3 Definitions..... 1

1-02.1 Prequalification of Bidders..... 3

1-02.1 Qualifications of Bidder..... 3

1-02.2 Plans and Specifications..... 4

1-02.6 Preparation of Proposal..... 4

1-02.9 Delivery of Proposal..... 5

1-02.12 Public Opening Of Proposal..... 5

Date and Time of Bid Opening..... 6

1-02.14 Disqualification of Bidders..... 7

1-02.15 Pre Award Information..... 10

1-03.3 Execution of Contract..... 10

1-03.4 Contract Bond..... 11

1-05.7 Removal Of Defective And unauthorized Work..... 12

1-05.13 Superintendents, Labor and Equipment of Contractor..... 12

1-05.14 Cooperation With Other Contractors..... 12

1-05.15 Method of Serving Notices..... 13

Buy America..... 13

1-07.1 Laws to be Observed..... 14

1-07.2 State Taxes..... 15

1-07.4 Sanitation..... 17

1-07.4(2) Health Hazards..... 17

(May 13, 2020)..... 17

COVID-19 Health and Safety Plan (CHSP)..... 17

COVID-19 Health and Safety Plan (CHSP) Inspection..... 17

1-07.5 Environmental Regulations..... 17

1-07.6 Permits and Licenses..... 18

1-07.7 Load Limits..... 19

1-07.9 Wages..... 19

1-07.11 Requirements For Nondiscrimination..... 21

Disadvantaged Business Enterprise Participation..... 28

DBE Abbreviations and Definitions..... 28

UDBE COA Goal..... 29

Crediting DBE Participation..... 30

DBE Prime Contractor..... 30

DBE Subcontractor..... 30

DBE Subcontract and Lower Tier Subcontract Documents..... 30

DBE Service Provider..... 31

1	Force Account Work	31
2	Temporary Traffic Control.....	31
3	Trucking	31
4	DBE Manufacturer and DBE Regular Dealer	32
5	Underutilized Disadvantaged Business Enterprise Utilization	32
6	Underutilized Disadvantaged Business Enterprise Written Confirmation	
7	Document(s)	33
8	Selection of Successful Bidder/Good Faith Efforts (GFE).....	33
9	Good Faith Effort (GFE) Documentation.....	34
10	Administrative Reconsideration of GFE Documentation	36
11	UDBE Bid Item Breakdown	36
12	UDBE Trucking Credit Form	36
13	A list of all firms who submitted a bid or quote in attempt to participate in this	
14	project whether they were successful or not. Include the business name and	
15	mailing address.	36
16	Procedures after Execution	37
17	Commercially Useful Function (CUF).....	37
18	UDBE/DBE/FSBE Truck Unit Listing Log.....	38
19	Joint Checking.....	38
20	Prompt Payment	38
21	Subcontracts	39
22	Reporting.....	39
23	Changes in COA Work Committed to UDBE.....	39
24	Owner Initiated Changes	39
25	Contractor Initiated Changes.....	39
26	Original Quantity Underruns.....	39
27	Contractor Proposed DBE Substitutions	39
28	UDBE Termination	39
29	Decertification.....	41
30	Consequences of Non-Compliance	41
31	Breach of Contract	41
32	Notice	41
33	Sanctions.....	41
34	Payment	42
35	1-07.12 Federal Agency Inspection	42
36	1-07.17 Utilities And Similar Facilities	42
37	1-07.18 Insurance.....	43
38	1-07.23 Public Convenience and Safety.....	46
39	1-07.23(1) Construction Under Traffic.....	46
40	1-08.0 Preliminary Matters.....	47
41	1-08.0(1) Preconstruction Conference.....	47
42	1-08.0(2) Hours of Work	47
43	1-08.1 Subcontracting	48
44	1-08.3(2)A Type A Progress Schedule	49
45	1-08.4 Prosecution of Work.....	49
46	1-08.5 Time for Completion.....	50
47	1-08.9 Liquidated Damages.....	51

1	1-09.9	Payments.....	51
2	1-09.9(1)	Retainage.....	52
3	1-09.11	Disputes and Claims	52
4	1-09.11(3)	Time Limitation and Jurisdiction.....	52
5	1-09.13	Claims Resolution	53
6	1-09.13(3)	Claims \$250,000 or Less.....	53
7	1-09.13(3)A	Administration of Arbitration	53
8	1-09.13(4)	Claims in Excess of \$250,000.....	53
9	1-10, TEMPORARY TRAFFIC CONTROL	55	
10	1-10.2	Traffic Control Management	55
11	1-10.2(1)	General.....	55
12	1-10.2(2)	Traffic Control Plans.....	55
13	1-10.2(3)	Conformance to Established Standards	56
14	1-10.4	Measurement.....	56
15	1-10.4(1)	Lump Sum Bid for Project (No Unit Items)	56
16	DIVISION 2 EARTHWORK.....	57	
17	2-02, REMOVAL OF STRUCTURES AND OBSTRUCTIONS	57	
18	2-02.3	Construction Requirements.....	57
19	2-02.3(2)	Construction Requirements.....	57
20	2-07, WATERING	57	
21	2-09, STRUCTURE EXCAVATION	57	
22	2-09.1	Description.....	57
23	2-09.3	Construction Requirements.....	58
24	2-09.4	Measurement.....	59
25	2-09.5	Payment.....	59
26	DIVISION 3 PRODUCTION FROM QUARRY AND PIT SITES AND STOCKPILING	60	
27	3-01, PRODUCTION FROM QUARRY AND PIT SITES.....	60	
28	3-01.4	Contractor Furnished Material Sources.....	60
29	3-01.4(1)	Acquisition and Development.....	60
30	DIVISION 6.....	60	
31	STRUCTURES	60	
32	6-02	Concrete Structures	60
33	6-02.3	Construction Requirements.....	60
34	6-02.3(24)	Reinforcement.....	60
35	6-02.4	Measurement.....	60
36	6-02.5	Payment.....	61
37	DIVISION 8 MISCELLANEOUS CONSTRUCTION	61	
38	8-15, RIP RAP	61	
39	8-15.1	Description.....	61
40	8-15.2	Materials	61
41	Logs.....	61	
42	Streambed Aggregates	62	
43	8-15.3	Construction Requirements.....	62
44	Log Placement	62	
45	8-15.4	Measurement.....	63
46	8-15.5	Payment.....	63
47	POWER EQUIPMENT.....	63	
48	E-VERIFY	63	

1	BOND.....	64
2	LEWIS COUNTY ESTIMATES AND PAYMENT POLICY.....	64
3	APPENDICES.....	64
4	APPENDIX A.....	77
5	WASHINGTON STATE PREVAILING WAGE RATES.....	77
6	APPENDIX B.....	79
7	FEDERAL CONTRACT PROVISIONS.....	79
8	APPENDIX C.....	81
9	BID PROPOSAL DOCUMENTS.....	81
10	<i>NOTICE TO CONTRACTORS.....</i>	<i>83</i>
11	APPENDIX D.....	99
12	CONTRACT DOCUMENTS.....	99
13	<i>CONTRACT.....</i>	<i>101</i>
14	<i>POWER EQUIPMENT LIST.....</i>	<i>105</i>
15	APPENDIX E.....	107
16	ENVIRONMENTAL PERMIT DOCUMENTS.....	107
17	APPENDIX F.....	109
18	STANDARD PLANS.....	109
19	CONTRACT PLANS WITH TRAFFIC CONTROL PLAN.....	109
20		
21		
22		

1 **INTRODUCTION**

2
3 This Contract shall be constructed in accordance with the 2020 Standard Specifications for Road,
4 Bridge, and Municipal Construction.

5
6 Several types of Special Provisions are included in this contract; General, Region, Bridges and
7 Structures, and Project Specific. Special Provisions types are differentiated as follows:

- 8
- 9 (date) General Special Provision
- 10 (*****) Notes a revision to a General Special Provision
- 11 and also notes a Project Specific Special Provision.
- 12 (APWA GSP) American Public Works Association General Special Provision
- 13

14 **General Special Provisions** are similar to Standard Specifications in that they typically apply to
15 many projects, usually in more than one Region. Usually, the only difference from one project to
16 another is the inclusion of variable project data, inserted as a “fill-in”.

17
18 **Project Specific Special Provisions** normally appear only in the contract for which they were
19 developed.

20
21 The following paragraph pertaining to the Standard Specifications shall obtain and be made a
22 part of this contract:

23
24 Wherever the word “State” or “Contracting Agency” is used it shall mean Lewis County;
25 that wherever the words “Secretary (Secretary of Transportation)” are used they shall
26 mean Lewis County Engineer; that wherever the words “State Treasurer” are used they
27 shall mean Lewis County Treasurer; that wherever the words “State Auditor” are used
28 they shall mean Lewis County Auditor; that wherever the words “Motor Vehicle Fund” are
29 used they shall mean Lewis County Road Fund.

30 **SPECIAL PROVISIONS**

31 **DIVISION 1**

32 **GENERAL REQUIREMENTS**

33
34 **DESCRIPTION OF WORK**

35 (March 13, 1995)

36
37 This contract provides for the improvement of *** Townsend Road MP 0.229 by replacing Bridge
38 No. 223 *** and other work, all in accordance with the attached Contract Plans, these Contract
39 Provisions, and the Standard Specifications.

40
41 **1-01.3 Definitions**

1 (January 4, 2016 APWA GSP)

2
3 Delete the heading **Completion Dates** and the three paragraphs that follow it, and replace them
4 with the following:

5
6 **Dates**

7 ***Bid Opening Date***

8 The date on which the Contracting Agency publicly opens and reads the Bids.

9 ***Award Date***

10 The date of the formal decision of the Contracting Agency to accept the lowest
11 responsible and responsive Bidder for the Work.

12 ***Contract Execution Date***

13 The date the Contracting Agency officially binds the Agency to the Contract.

14 ***Notice to Proceed Date***

15 The date stated in the Notice to Proceed on which the Contract time begins.

16 ***Substantial Completion Date***

17 The day the Engineer determines the Contracting Agency has full and unrestricted use
18 and benefit of the facilities, both from the operational and safety standpoint, any remaining
19 traffic disruptions will be rare and brief, and only minor incidental work, replacement of
20 temporary substitute facilities, plant establishment periods, or correction or repair remains
21 for the Physical Completion of the total Contract.

22 ***Physical Completion Date***

23 The day all of the Work is physically completed on the project. All documentation required
24 by the Contract and required by law does not necessarily need to be furnished by the
25 Contractor by this date.

26 ***Completion Date***

27 The day all the Work specified in the Contract is completed and all the obligations of the
28 Contractor under the contract are fulfilled by the Contractor. All documentation required
29 by the Contract and required by law must be furnished by the Contractor before
30 establishment of this date.

31 ***Final Acceptance Date***

32 The date on which the Contracting Agency accepts the Work as complete.

33
34 Supplement this Section with the following:

35
36 All references in the Standard Specifications, Amendments, or WSDOT General Special
37 Provisions, to the terms "Department of Transportation", "Washington State Transportation
38 Commission", "Commission", "Secretary of Transportation", "Secretary", "Headquarters", and
39 "State Treasurer" shall be revised to read "Contracting Agency".

40
41 All references to the terms "State" or "state" shall be revised to read "Contracting Agency"
42 unless the reference is to an administrative agency of the State of Washington, a State
43 statute or regulation, or the context reasonably indicates otherwise.

44
45 All references to "State Materials Laboratory" shall be revised to read "Contracting Agency
46 designated location".
47

1 All references to “final contract voucher certification” shall be interpreted to mean the
2 Contracting Agency form(s) by which final payment is authorized, and final completion and
3 acceptance granted.
4

5 **Additive**

6 A supplemental unit of work or group of bid items, identified separately in the Bid Proposal,
7 which may, at the discretion of the Contracting Agency, be awarded in addition to the base
8 bid.
9

10 **Alternate**

11 One of two or more units of work or groups of bid items, identified separately in the Bid
12 Proposal, from which the Contracting Agency may make a choice between different methods
13 or material of construction for performing the same work.
14

15 **Business Day**

16 A business day is any day from Monday through Friday except holidays as listed in Section 1-
17 08.5.
18

19 **Contract Bond**

20 The definition in the Standard Specifications for “Contract Bond” applies to whatever bond
21 form(s) are required by the Contract Documents, which may be a combination of a Payment
22 Bond and a Performance Bond.
23

24 **Contract Documents**

25 See definition for “Contract”.
26

27 **Contract Time**

28 The period of time established by the terms and conditions of the Contract within which the
29 Work must be physically completed.
30

31 **Notice of Award**

32 The written notice from the Contracting Agency to the successful Bidder signifying the
33 Contracting Agency’s acceptance of the Bid Proposal.
34

35 **Notice to Proceed**

36 The written notice from the Contracting Agency or Engineer to the Contractor authorizing and
37 directing the Contractor to proceed with the Work and establishing the date on which the
38 Contract time begins.
39

40 **Traffic**

41 Both vehicular and non-vehicular traffic, such as pedestrians, bicyclists, wheelchairs, and
42 equestrian traffic.
43

44 **1-02, BID PROCEDURES AND CONDITIONS**

45 **1-02.1 Prequalification of Bidders**

46 Delete this Section and replace it with the following:
47

48 **1-02.1 Qualifications of Bidder**

49 *(January 24, 2011 APWA GSP)*
50
51

1
2 Before award of a public works contract, a bidder must meet at least the minimum
3 qualifications of RCW 39.04.350(1) to be considered a responsible bidder and qualified to be
4 awarded a public works project.

5
6 **1-02.2 Plans and Specifications**

7 **(*****)**

8
9 The first paragraph of section 1-02.2 is revised to read:

10
11 Copies of the plans and specifications are on file in the office of:

12
13 Lewis County Public Works Department
14 2025 N.E. Kresky Avenue
15 Chehalis, Washington 98532
16 (360) 740-2671

17
18 The second paragraph of section 1-02.2 is revised to read:

19
20 Prospective bidders may obtain plans and specifications from Lewis County Public
21 Works Department in Chehalis, Washington or download from Lewis County Website at
22 www.lewiscountywa.gov.

23
24 **1-02.6 Preparation of Proposal**

25 *(May 28, 2020 APWA GSP)*

26 Supplement this section with the following:

27
28 The Bidder shall submit with the Bid a completed Underutilized Disadvantaged Business
29 Enterprise (UDBE) Utilization Certification, when required by the Special Provisions. For each
30 and every UDBE firm listed on the Bidder's completed Underutilized Disadvantaged Business
31 Enterprise Utilization Certification, the Bidder shall submit written confirmation from that UDBE
32 firm that the UDBE is in agreement with the UDBE participation commitment that the Bidder
33 has made in the Bidder's completed Underutilized Disadvantaged Business Enterprise
34 Utilization Certification.

35
36 WSDOT Form 422 031U (Underutilized Disadvantaged Business Enterprise Written
37 Confirmation Document) is to be used for this purpose. Bidder must submit good faith effort
38 documentation only in the event the bidder's efforts to solicit sufficient UDBE participation have
39 been unsuccessful.

40
41 The Bidder shall submit a UDBE Bid Item Breakdown form defining the scope of work to be
42 performed by each UDBE listed on the UDBE Utilization Certification.

43
44 If the Bidder lists a UDBE Trucking firm on the UDBE Utilization Certification, then the Bidder
45 must also submit a UDBE Trucking Credit Form (WSDOT Form 272-058) documenting how
46 the UDBE Trucking firm will be able to perform the scope of work subcontracted to them.

47
48 Directions for delivery of the Underutilized Disadvantaged Business Enterprise Written
49 Confirmation Documents, Underutilized Disadvantaged Business Enterprise Good Faith Effort
50 documentation, UDBE Bid Item Breakdown Form and the UDBE Trucking Credit Form are
51 included in Section 1-02.9.

1
2 (August 2, 2004)

3 The fifth and sixth paragraphs of Section 1-02.6 are deleted.

4
5 **1-02.9 Delivery of Proposal**

6 *(December 19, 2019 APWA GSP Option B)*

7
8 Delete this section and replace it with the following:

9
10 Each Proposal shall be submitted in a sealed envelope, with the Project Name and Project
11 Number as stated in the Call for Bids clearly marked on the outside of the envelope, or as
12 otherwise required in the Bid Documents, to ensure proper handling and delivery.

13
14 To be considered responsive on a FHWA-funded project, the Bidder may be required to submit
15 the following items, as required by Section 1-02.6:

- 16
17
 - 18 • UDBE Written Confirmation Document from each UDBE firm listed on the Bidder's
19 completed UDBE Utilization Certification (WSDOT 272-056U);
 - 20 • Good Faith Effort (GFE) Documentation
 - 21 • UDBE Bid Item Breakdown (WSDOT 272-054)
 - 22 • UDBE Trucking Credit Form (WSDOT 272-058)

23
24 These documents, if applicable, shall be received either with the Bid Proposal or as a
25 Supplement to the Bid. The documents shall be received **no later than 48 hours** (not including
26 Saturdays, Sundays and Holidays) after the time for delivery of the Bid Proposal.

27 If submitted after the Bid Proposal is due, the document(s) shall be submitted as follows:

- 28
29
 - 30 1. In a sealed envelope labeled the same as for the Proposal, with "Supplemental
31 Information" added, or
 - 32 2. By facsimile to the following FAX number: \$\$None\$\$, or
 - 33 3. By e-mail to the following e-mail address: \$\$Rose.Williams@lewiscountywa.gov\$\$

34
35 All other information required to be submitted with the Bid Proposal must be submitted with the
36 Bid Proposal itself, at the time stated in the Call for Bids.

37
38 Proposals that are received as required will be publicly opened and read as specified in Section
39 1-02.12. The Contracting Agency will not open or consider any Bid Proposal that is received
40 after the time specified in the Call for Bids for receipt of Bid Proposals, or received in a location
41 other than that specified in the Call for Bids. The Contracting Agency will not open or consider
42 any "Supplemental Information" (UDBE confirmations or GFE documentation) that is received
43 after the time specified above, or received in a location other than that specified in the Call for
44 Bids.

45
46 If an emergency or unanticipated event interrupts normal work processes of the Contracting
47 Agency so that Proposals cannot be received at the office designated for receipt of bids as
48 specified in Section 1-02.12 the time specified for receipt of the Proposal will be deemed to be
49 extended to the same time of day specified in the solicitation on the first work day on which the
50 normal work processes of the Contracting Agency resume.

51 **1-02.12 Public Opening Of Proposal**

Townsend Bridge No. 223 Replacement Project
Federal Aid Project No. BROS-2021(056)

1 (*****)

2 Section 1-02.12 is supplemented with the following:

3
4 **Date and Time of Bid Opening**

5 The Board of County Commissioners of Lewis County or designee, will open sealed
6 proposals and publicly read them aloud on or after 12:30 PM on **October 27, 2020**, at the
7 Lewis County Courthouse, Chehalis, Washington, for the Townsend Bridge No. 223
8 Replacement Project, F. A. Project No. BROS-2021(056), CRP 2186.

9
10 **SEALED BIDS MUST BE DELIVERED BY OR BEFORE**
11 **12:30 P.M. on Tuesday, October 27, 2020**

12 (Lewis County official time is displayed on Axxess Intertel phones in the office of the Board of County
13 Commissioners. **Bids submitted after 12:30 PM will not be considered for this project.**)

14
15 **Delivery and Marking of Sealed Bid Proposals**

16 Sealed proposals must be delivered to the Clerk of the Board of Lewis County
17 Commissioners (351 N.W. North Street, Room 210, CMS-01, Chehalis, Washington 98532)
18 by or before **12:30 PM** on the date specified for opening, and in an envelope clearly marked:
19 **"SEALED BID FOR THE TOWNSEND BRIDGE NO. 223 REPLACEMENT PROJECT, F. A.**
20 **PROJECT NO. BROS-2021(056), CRP 2186, TO BE OPENED ON OR AFTER 12:30 P.M.**
21 **ON OCTOBER 27, 2020.**

22
23 **1-02.13 Irregular Proposals**

24 *(December 19, 2019 APWA GSP)*

25
26 Delete this section and replace it with the following:

- 27
28 1. A Proposal will be considered irregular and will be rejected if:
- 29 a. The Bidder is not prequalified when so required;
 - 30 b. The authorized Proposal form furnished by the Contracting Agency is not used or
31 is altered;
 - 32 c. The completed Proposal form contains any unauthorized additions, deletions,
33 alternate Bids, or conditions;
 - 34 d. The Bidder adds provisions reserving the right to reject or accept the award, or
35 enter into the Contract;
 - 36 e. A price per unit cannot be determined from the Bid Proposal;
 - 37 f. The Proposal form is not properly executed;
 - 38 g. The Bidder fails to submit or properly complete a Subcontractor list, if applicable,
39 as required in Section 1-02.6;
 - 40 h. The Bidder fails to submit or properly complete an Underutilized Disadvantaged
41 Business Enterprise Certification, if applicable, as required in Section 1-02.6;
 - 42 i. The Bidder fails to submit written confirmation from each UDBE firm listed on the
43 Bidder's completed UDBE Utilization Certification that they are in agreement with
44 the bidder's UDBE participation commitment, if applicable, as required in Section
45 1-02.6, or if the written confirmation that is submitted fails to meet the
46 requirements of the Special Provisions;
 - 47 j. The Bidder fails to submit UDBE Good Faith Effort documentation, if applicable, as
48 required in Section 1-02.6, or if the documentation that is submitted fails to
49 demonstrate that a Good Faith Effort to meet the Condition of Award was made;
 - 50 k. The Bidder fails to submit a UDBE Bid Item Breakdown form, if applicable, as
51 required in Section 1-02.6, or if the documentation that is submitted fails to meet
52 the requirements of the Special Provisions;

- 1 I. The Bidder fails to submit UDBE Trucking Credit Forms, if applicable, as required
2 in Section 1-02.6, or if the documentation that is submitted fails to meet the
3 requirements of the Special Provisions;
- 4 m. The Bid Proposal does not constitute a definite and unqualified offer to meet the
5 material terms of the Bid invitation; or
- 6 n. More than one Proposal is submitted for the same project from a Bidder under the
7 same or different names.

- 8
- 9 2. A Proposal may be considered irregular and may be rejected if:
 - 10 a. The Proposal does not include a unit price for every Bid item;
 - 11 b. Any of the unit prices are excessively unbalanced (either above or below the
12 amount of a reasonable Bid) to the potential detriment of the Contracting Agency;
 - 13 c. Receipt of Addenda is not acknowledged;
 - 14 d. A member of a joint venture or partnership and the joint venture or partnership
15 submit Proposals for the same project (in such an instance, both Bids may be
16 rejected); or
 - 17 e. If Proposal form entries are not made in ink.

18
19 **1-02.14 Disqualification of Bidders**
20 *(May 17, 2018 APWA GSP, Option B)*
21

22 Delete this section and replace it with the following:

23
24 A Bidder will be deemed not responsible if the Bidder does not meet the mandatory bidder
25 responsibility criteria in RCW 39.04.350(1), as amended; or does not meet Supplemental
26 Criteria 1-7 listed in this Section.

27
28 The Contracting Agency will verify that the Bidder meets the mandatory bidder responsibility
29 criteria in RCW 39.04.350(1), and Supplemental Criteria 1-2. Evidence that the Bidder
30 meets Supplemental Criteria 3-7 shall be provided by the Bidder as stated later in this
31 Section.

32
33
34 **1. Delinquent State Taxes**

35
36 A Criterion: The Bidder shall not owe delinquent taxes to the Washington State
37 Department of Revenue without a payment plan approved by the Department of
38 Revenue.

39
40 B. Documentation: The Bidder, if and when required as detailed below, shall sign a
41 statement (on a form to be provided by the Contracting Agency) that the Bidder
42 does not owe delinquent taxes to the Washington State Department of Revenue,
43 or if delinquent taxes are owed to the Washington State Department of Revenue,
44 the Bidder must submit a written payment plan approved by the Department of
45 Revenue, to the Contracting Agency by the deadline listed below.

46
47 **2. Federal Debarment**

48
49 A Criterion: The Bidder shall not currently be debarred or suspended by the Federal
50 government.
51

1 B. Documentation: The Bidder shall not be listed as having an “active exclusion” on
2 the U.S. government’s “System for Award Management” database
3 (www.sam.gov).
4

5 **3. Subcontractor Responsibility**

6
7 A. Criterion: The Bidder’s standard subcontract form shall include the subcontractor
8 responsibility language required by RCW 39.06.020, and the Bidder shall have an
9 established procedure which it utilizes to validate the responsibility of each of its
10 subcontractors. The Bidder’s subcontract form shall also include a requirement
11 that each of its subcontractors shall have and document a similar procedure to
12 determine whether the sub-tier subcontractors with whom it contracts are also
13 “responsible” subcontractors as defined by RCW 39.06.020.
14

15 B. Documentation: The Bidder, if and when required as detailed below, shall submit a
16 copy of its standard subcontract form for review by the Contracting Agency, and a
17 written description of its procedure for validating the responsibility of
18 subcontractors with which it contracts.
19

20 **4. Claims Against Retainage and Bonds**

21
22 A. Criterion: The Bidder shall not have a record of excessive claims filed against the
23 retainage or payment bonds for public works projects in the three years prior to the
24 bid submittal date, that demonstrate a lack of effective management by the Bidder
25 of making timely and appropriate payments to its subcontractors, suppliers, and
26 workers, unless there are extenuating circumstances and such circumstances are
27 deemed acceptable to the Contracting Agency.
28

29 B. Documentation: The Bidder, if and when required as detailed below, shall submit a
30 list of the public works projects completed in the three years prior to the bid
31 submittal date that have had claims against retainage and bonds and include for
32 each project the following information:
33

- 34 • Name of project
- 35 • The owner and contact information for the owner;
- 36 • A list of claims filed against the retainage and/or payment bond for any of the
37 projects listed;
- 38 • A written explanation of the circumstances surrounding each claim and the
39 ultimate resolution of the claim.
40

41 **5. Public Bidding Crime**

42
43 A. Criterion: The Bidder and/or its owners shall not have been convicted of a crime
44 involving bidding on a public works contract in the five years prior to the bid
45 submittal date.
46

47 B. Documentation: The Bidder, if and when required as detailed below, shall sign a
48 statement (on a form to be provided by the Contracting Agency) that the Bidder
49 and/or its owners have not been convicted of a crime involving bidding on a public
50 works contract.
51

1 **6. Termination for Cause / Termination for Default**

- 2
- 3 A. Criterion: The Bidder shall not have had any public works contract terminated for
- 4 cause or terminated for default by a government agency in the five years prior to
- 5 the bid submittal date, unless there are extenuating circumstances and such
- 6 circumstances are deemed acceptable to the Contracting Agency.
- 7
- 8 B. Documentation: The Bidder, if and when required as detailed below, shall sign a
- 9 statement (on a form to be provided by the Contracting Agency) that the Bidder
- 10 has not had any public works contract terminated for cause or terminated for
- 11 default by a government agency in the five years prior to the bid submittal date; or
- 12 if Bidder was terminated, describe the circumstances. .

13

14 **7. Lawsuits**

- 15
- 16 A. Criterion: The Bidder shall not have lawsuits with judgments entered against the
- 17 Bidder in the five years prior to the bid submittal date that demonstrate a pattern of
- 18 failing to meet the terms of contracts, unless there are extenuating circumstances
- 19 and such circumstances are deemed acceptable to the Contracting Agency
- 20
- 21 B. Documentation: The Bidder, if and when required as detailed below, shall sign a
- 22 statement (on a form to be provided by the Contracting Agency) that the Bidder
- 23 has not had any lawsuits with judgments entered against the Bidder in the five
- 24 years prior to the bid submittal date that demonstrate a pattern of failing to meet
- 25 the terms of contracts, or shall submit a list of all lawsuits with judgments entered
- 26 against the Bidder in the five years prior to the bid submittal date, along with a
- 27 written explanation of the circumstances surrounding each such lawsuit. The
- 28 Contracting Agency shall evaluate these explanations to determine whether the
- 29 lawsuits demonstrate a pattern of failing to meet of terms of construction related
- 30 contracts

31

32 As evidence that the Bidder meets the Supplemental Criteria stated above, the apparent

33 low Bidder must submit to the Contracting Agency by 12:00 P.M. (noon) of the second

34 business day following the bid submittal deadline, a written statement verifying that the

35 Bidder meets the supplemental criteria together with supporting documentation (sufficient in

36 the sole judgment of the Contracting Agency) demonstrating compliance with the

37 Supplemental Criteria. The Contracting Agency reserves the right to request further

38 documentation as needed from the low Bidder and documentation from other Bidders as

39 well to assess Bidder responsibility and compliance with all bidder responsibility criteria.

40 The Contracting Agency also reserves the right to obtain information from third-parties and

41 independent sources of information concerning a Bidder's compliance with the mandatory

42 and supplemental criteria, and to use that information in their evaluation. The Contracting

43 Agency may consider mitigating factors in determining whether the Bidder complies with the

44 requirements of the supplemental criteria.

45

46 The basis for evaluation of Bidder compliance with these mandatory and supplemental

47 criteria shall include any documents or facts obtained by Contracting Agency (whether from

48 the Bidder or third parties) including but not limited to: (i) financial, historical, or operational

49 data from the Bidder; (ii) information obtained directly by the Contracting Agency from

50 others for whom the Bidder has worked, or other public agencies or private enterprises; and

1 (iii) any additional information obtained by the Contracting Agency which is believed to be
2 relevant to the matter.

3
4 If the Contracting Agency determines the Bidder does not meet the bidder responsibility
5 criteria above and is therefore not a responsible Bidder, the Contracting Agency shall notify
6 the Bidder in writing, with the reasons for its determination. If the Bidder disagrees with this
7 determination, it may appeal the determination within two (2) business days of the
8 Contracting Agency's determination by presenting its appeal and any additional information
9 to the Contracting Agency. The Contracting Agency will consider the appeal and any
10 additional information before issuing its final determination. If the final determination affirms
11 that the Bidder is not responsible, the Contracting Agency will not execute a contract with
12 any other Bidder until at least two business days after the Bidder determined to be not
13 responsible has received the Contracting Agency's final determination.

14
15 Request to Change Supplemental Bidder Responsibility Criteria Prior To Bid: Bidders with
16 concerns about the relevancy or restrictiveness of the Supplemental Bidder Responsibility
17 Criteria may make or submit requests to the Contracting Agency to modify the criteria.
18 Such requests shall be in writing, describe the nature of the concerns, and propose specific
19 modifications to the criteria. Bidders shall submit such requests to the Contracting Agency
20 no later than five (5) business days prior to the bid submittal deadline and address the
21 request to the Project Engineer or such other person designated by the Contracting Agency
22 in the Bid Documents.

23
24 **1-02.15 Pre Award Information**
25 (August 14, 2013 APWA GSP)

26
27 Revise this section to read:

28
29 Before awarding any contract, the Contracting Agency may require one or more of these
30 items or actions of the apparent lowest responsible bidder:

- 31 1. A complete statement of the origin, composition, and manufacture of any or all materials
32 to be used,
- 33 2. Samples of these materials for quality and fitness tests,
- 34 3. A progress schedule (in a form the Contracting Agency requires) showing the order of and
35 time required for the various phases of the work,
- 36 4. A breakdown of costs assigned to any bid item,
- 37 5. Attendance at a conference with the Engineer or representatives of the Engineer,
- 38 6. Obtain, and furnish a copy of, a business license to do business in the city or county
39 where the work is located.
- 40 7. Any other information or action taken that is deemed necessary to ensure that the bidder
41 is the lowest responsible bidder.

42
43 **1-03, AWARD AND EXECUTION OF CONTRACT**

44
45 **1-03.3 Execution of Contract**
46 (October 1, 2005 APWA GSP)

47
48 Revise this section to read:

1 Copies of the Contract Provisions, including the unsigned Form of Contract, will be available
2 for signature by the successful bidder on the first business day following award. The number
3 of copies to be executed by the Contractor will be determined by the Contracting Agency.

4
5 Within 15 calendar days after the award date, the successful bidder shall return the signed
6 Contracting Agency-prepared contract, an insurance certification as required by Section 1-
7 07.18, and a satisfactory bond as required by law and Section 1-03.4. Before execution of the
8 contract by the Contracting Agency, the successful bidder shall provide any pre-award
9 information the Contracting Agency may require under Section 1-02.15.

10
11 Until the Contracting Agency executes a contract, no proposal shall bind the Contracting
12 Agency nor shall any work begin within the project limits or within Contracting Agency-furnished
13 sites. The Contractor shall bear all risks for any work begun outside such areas and for any
14 materials ordered before the contract is executed by the Contracting Agency.

15
16 If the bidder experiences circumstances beyond their control that prevents return of the contract
17 documents within the calendar days after the award date stated above, the Contracting Agency
18 may grant up to a maximum of 5 additional calendar days for return of the documents, provided
19 the Contracting Agency deems the circumstances warrant it.

20
21 **1-03.4 Contract Bond**
22 *(July 23, 2015 APWA GSP)*

23
24 Delete the first paragraph and replace it with the following:

25
26 The successful bidder shall provide executed payment and performance bond(s) for the full
27 contract amount. The bond may be a combined payment and performance bond; or be
28 separate payment and performance bonds. In the case of separate payment and
29 performance bonds, each shall be for the full contract amount. The bond(s) shall:

- 30 1. Be on Contracting Agency-furnished form(s);
- 31 2. Be signed by an approved surety (or sureties) that:
 - 32 a. Is registered with the Washington State Insurance Commissioner, and
 - 33 b. Appears on the current Authorized Insurance List in the State of Washington
34 published by the Office of the Insurance Commissioner,
- 35 3. Guarantee that the Contractor will perform and comply with all obligations, duties, and
36 conditions under the Contract, including but not limited to the duty and obligation to
37 indemnify, defend, and protect the Contracting Agency against all losses and claims
38 related directly or indirectly from any failure:
 - 39 a. Of the Contractor (or any of the employees, subcontractors, or lower tier
40 subcontractors of the Contractor) to faithfully perform and comply with all contract
41 obligations, conditions, and duties, or
 - 42 b. Of the Contractor (or the subcontractors or lower tier subcontractors of the Contractor)
43 to pay all laborers, mechanics, subcontractors, lower tier subcontractors, material
44 person, or any other person who provides supplies or provisions for carrying out the
45 work;
- 46 4. Be conditioned upon the payment of taxes, increases, and penalties incurred on the
47 project under titles 50, 51, and 82 RCW; and
- 48 5. Be accompanied by a power of attorney for the Surety's officer empowered to sign the
49 bond; and

- 1 6. Be signed by an officer of the Contractor empowered to sign official statements (sole
2 proprietor or partner). If the Contractor is a corporation, the bond(s) must be signed by the
3 president or vice president, unless accompanied by written proof of the authority of the
4 individual signing the bond(s) to bind the corporation (i.e., corporate resolution, power of
5 attorney, or a letter to such effect signed by the president or vice president).

7 **1-05, CONTROL OF WORK**

8 **1-05.7 Removal Of Defective And unauthorized Work** 9 (October 1, 2005 APWA GSP)

10 Supplement this section with the following:
11

12
13
14 If the Contractor fails to remedy defective or unauthorized work within the time specified in a
15 written notice from the Engineer, or fails to perform any part of the work required by the
16 Contract Documents, the Engineer may correct and remedy such work as may be identified in
17 the written notice, with Contracting Agency forces or by such other means as the Contracting
18 Agency may deem necessary.

19
20 If the Contractor fails to comply with a written order to remedy what the Engineer determines
21 to be an emergency situation, the Engineer may have the defective and unauthorized work
22 corrected immediately, have the rejected work removed and replaced, or have work the
23 Contractor refuses to perform completed by using Contracting Agency or other forces. An
24 emergency situation is any situation when, in the opinion of the Engineer, a delay in its remedy
25 could be potentially unsafe, or might cause serious risk of loss or damage to the public.

26
27 Direct or indirect costs incurred by the Contracting Agency attributable to correcting and
28 remedying defective or unauthorized work, or work the Contractor failed or refused to perform,
29 shall be paid by the Contractor. Payment will be deducted by the Engineer from monies due,
30 or to become due, the Contractor. Such direct and indirect costs shall include in particular, but
31 without limitation, compensation for additional professional services required, and costs for
32 repair and replacement of work of others destroyed or damaged by correction, removal, or
33 replacement of the Contractor's unauthorized work.

34
35 No adjustment in contract time or compensation will be allowed because of the delay in the
36 performance of the work attributable to the exercise of the Contracting Agency's rights
37 provided by this Section.

38
39 The rights exercised under the provisions of this section shall not diminish the Contracting
40 Agency's right to pursue any other avenue for additional remedy or damages with respect to
41 the Contractor's failure to perform the work as required.

42 **1-05.13 Superintendents, Labor and Equipment of Contractor** 43 (August 14, 2013 APWA GSP)

44 Delete the sixth and seventh paragraphs of this section.
45

46 **1-05.14 Cooperation With Other Contractors**

47 Section 1-05.14 is supplemented with the following:
48 (March 13, 1995)
49
50
51

1 **Other Contracts Or Other Work**

2 It is anticipated that the following work adjacent to or within the limits of this project will be
3 performed by others during the course of this project and will require coordination of the work:

4
5 \$\$ Utilities and/or Utility Contractors. The contractor’s attention is directed to Section 1-
6 07.17 these Special Provisions. \$\$

7
8 **1-05.15 Method of Serving Notices**

9 (March 25, 2009 APWA GSP)

10 Revise the second paragraph to read:

11
12 All correspondence from the Contractor shall be directed to the Project Engineer. All
13 correspondence from the Contractor constituting any notification, notice of protest, notice of
14 dispute, or other correspondence constituting notification required to be furnished under the
15 Contract, must be in paper format, hand delivered or sent via mail delivery service to the
16 Project Engineer's office. Electronic copies such as e-mails or electronically delivered copies
17 of correspondence will not constitute such notice and will not comply with the requirements of
18 the Contract.

19
20 **1-06, CONTROL OF MATERIAL**

21 **Buy America**

22 Section 1-06 is supplemented with the following:

23 (August 6, 2012)

24
25 In accordance with Buy America requirements contained in 23 CFR 635.410, the major
26 quantities of steel and iron construction material that is permanently incorporated into the
27 project shall consist of American-made materials only. Buy America does not apply to
28 temporary steel items, e.g., temporary sheet piling, temporary bridges, steel scaffolding and
29 falsework.
30

31
32 Minor amounts of foreign steel and iron may be utilized in this project provided the cost of the
33 foreign material used does not exceed one-tenth of one percent of the total contract cost or
34 \$2,500.00, whichever is greater.

35
36 American-made material is defined as material having all manufacturing processes occurring
37 domestically. To further define the coverage, a domestic product is a manufactured steel
38 material that was produced in one of the 50 States, the District of Columbia, Puerto Rico, or in
39 the territories and possessions of the United States.

40
41 If domestically produced steel billets or iron ingots are exported outside of the area of
42 coverage, as defined above, for any manufacturing process then the resulting product does
43 not conform to the Buy America requirements. Additionally, products manufactured
44 domestically from foreign source steel billets or iron ingots do not conform to the Buy America
45 requirements because the initial melting and mixing of alloys to create the material occurred
46 in a foreign country.

47
48 Manufacturing begins with the initial melting and mixing, and continues through the coating
49 stage. Any process which modifies the chemical content, the physical size or shape, or the
50 final finish is considered a manufacturing process. The processes include rolling, extruding,
51 machining, bending, grinding, drilling, welding, and coating. The action of applying a coating

1 to steel or iron is deemed a manufacturing process. Coating includes epoxy coating,
2 galvanizing, aluminizing, painting, and any other coating that protects or enhances the value
3 of steel or iron. Any process from the original reduction from ore to the finished product
4 constitutes a manufacturing process for iron.

5
6 Due to a nationwide waiver, Buy America does not apply to raw materials (iron ore and alloys),
7 scrap (recycled steel or iron), and pig iron or processed, pelletized, and reduced iron ore.
8

9 The following are considered to be steel manufacturing processes:

- 10 1. Production of steel by any of the following processes:
 - 11 a. Open hearth furnace.
 - 12 b. Basic oxygen.
 - 13 c. Electric furnace.
 - 14 d. Direct reduction.
- 15 2. Rolling, heat treating, and any other similar processing.
- 16 3. Fabrication of the products.
 - 17 a. Spinning wire into cable or strand.
 - 18 b. Corrugating and rolling into culverts.
 - 19 c. Shop fabrication.

20
21 A certification of materials origin will be required for any items comprised of, or containing,
22 steel or iron construction materials prior to such items being incorporated into the permanent
23 work. The certification shall be on DOT Form 350-109EF provided by the Engineer, or such
24 other form the Contractor chooses, provided it contains the same information as DOT Form
25 350-109EF.
26
27
28
29
30

31 **1-07, LEGAL RELATIONS AND RESPONSIBILITIES TO THE PUBLIC**

32 **1-07.1 Laws to be Observed**

33 Section 1-07.1 is supplemented with the following:

34 ***(September 3, 2019)***

35 ***Lead Health Protection Program***

36 Structural and non-structural materials located at the project site *** **may** *** contain lead-
37 based products. The Contractor shall be fully responsible for the safety and health of all on-
38 site workers and compliant with Washington Administrative Code (WAC 296-155-176). The
39 Contractors Lead Health Protection Program shall be submitted to the Contracting Agency
40 as a Type 2 Working Drawing prior to the Contractor beginning work involving exposure to
41 lead contamination. The Contractor shall communicate with the Engineer to ensure a
42 coordinated effort for providing and maintaining a safe worksite for both the Contracting
43 Agency's and Contractor's workers.
44
45
46
47
48
49
50
51

1
2 **Construction Requirements**

3 The Contractor shall be responsible for the containment measures required to provide and
4 maintain a safe and healthful jobsite for the duration of the project in accordance with all
5 applicable laws and this Special Provision.

6
7 **Payment**

8 All costs to comply with this Special Provision for the Lead Health Protection laws and
9 regulations are the responsibility of the Contractor and shall be included in related items of
10 work.

11
12 (May 13, 2020)

13 In response to COVID-19, the Contractor shall prepare a project specific COVID-19 health and
14 safety plan (CHSP) in conformance with Section 1-07.4(2) as supplemented in these
15 specifications, **COVID-19 Health and Safety Plan (CHSP)**.

16
17 (*October 1, 2005 APWA GSP*)

18 Supplement this section with the following:
19

20 In cases of conflict between different safety regulations, the more stringent regulation shall
21 apply.
22

23 The Washington State Department of Labor and Industries shall be the sole and paramount
24 administrative agency responsible for the administration of the provisions of the Washington
25 Industrial Safety and Health Act of 1973 (WISHA).
26

27 The Contractor shall maintain at the project site office, or other well known place at the project
28 site, all articles necessary for providing first aid to the injured. The Contractor shall establish,
29 publish, and make known to all employees, procedures for ensuring immediate removal to a
30 hospital, or doctor's care, persons, including employees, who may have been injured on the
31 project site. Employees should not be permitted to work on the project site before the
32 Contractor has established and made known procedures for removal of injured persons to a
33 hospital or a doctor's care.
34

35 The Contractor shall have sole responsibility for the safety, efficiency, and adequacy of the
36 Contractor's plant, appliances, and methods, and for any damage or injury resulting from their
37 failure, or improper maintenance, use, or operation. The Contractor shall be solely and
38 completely responsible for the conditions of the project site, including safety for all persons and
39 property in the performance of the work. This requirement shall apply continuously, and not be
40 limited to normal working hours. The required or implied duty of the Engineer to conduct
41 construction review of the Contractor's performance does not, and shall not, be intended to
42 include review and adequacy of the Contractor's safety measures in, on, or near the project
43 site.
44

45 **1-07.2 State Taxes**

46
47 Delete this section, including its sub-sections, in its entirety and replace it with the following:
48

49 **1-07.2 State Sales Tax**

50 (*June 27, 2011 APWA GSP*)
51

1 The Washington State Department of Revenue has issued special rules on the State sales
2 tax. Sections 1-07.2(1) through 1-07.2(3) are meant to clarify those rules. The Contractor
3 should contact the Washington State Department of Revenue for answers to questions in this
4 area. The Contracting Agency will not adjust its payment if the Contractor bases a bid on a
5 misunderstood tax liability.

6
7 The Contractor shall include all Contractor-paid taxes in the unit bid prices or other contract
8 amounts. In some cases, however, state retail sales tax will not be included. Section 1-
9 07.2(2) describes this exception.

10
11 The Contracting Agency will pay the retained percentage (or release the Contract Bond if a
12 FHWA-funded Project) only if the Contractor has obtained from the Washington State
13 Department of Revenue a certificate showing that all contract-related taxes have been paid
14 (RCW 60.28.051). The Contracting Agency may deduct from its payments to the Contractor
15 any amount the Contractor may owe the Washington State Department of Revenue, whether
16 the amount owed relates to this contract or not. Any amount so deducted will be paid into the
17 proper State fund.

18 **1-07.2(1) State Sales Tax — Rule 171**

19
20
21 WAC 458-20-171, and its related rules, apply to building, repairing, or improving streets,
22 roads, etc., which are owned by a municipal corporation, or political subdivision of the state,
23 or by the United States, and which are used primarily for foot or vehicular traffic. This
24 includes storm or combined sewer systems within and included as a part of the street or road
25 drainage system and power lines when such are part of the roadway lighting system. For
26 work performed in such cases, the Contractor shall include Washington State Retail Sales
27 Taxes in the various unit bid item prices, or other contract amounts, including those that the
28 Contractor pays on the purchase of the materials, equipment, or supplies used or consumed
29 in doing the work.

30 **1-07.2(2) State Sales Tax — Rule 170**

31
32
33 WAC 458-20-170, and its related rules, apply to the constructing and repairing of new or
34 existing buildings, or other structures, upon real property. This includes, but is not limited to,
35 the construction of streets, roads, highways, etc., owned by the state of Washington; water
36 mains and their appurtenances; sanitary sewers and sewage disposal systems unless such
37 sewers and disposal systems are within, and a part of, a street or road drainage system;
38 telephone, telegraph, electrical power distribution lines, or other conduits or lines in or above
39 streets or roads, unless such power lines become a part of a street or road lighting system;
40 and installing or attaching of any article of tangible personal property in or to real property,
41 whether or not such personal property becomes a part of the realty by virtue of installation.

42
43 For work performed in such cases, the Contractor shall collect from the Contracting Agency,
44 retail sales tax on the full contract price. The Contracting Agency will automatically add this
45 sales tax to each payment to the Contractor. For this reason, the Contractor shall not include
46 the retail sales tax in the unit bid item prices, or in any other contract amount subject to Rule
47 170, with the following exception.

48
49 Exception: The Contracting Agency will not add in sales tax for a payment the Contractor or a
50 subcontractor makes on the purchase or rental of tools, machinery, equipment, or
51 consumable supplies not integrated into the project. Such sales taxes shall be included in the
52 unit bid item prices or in any other contract amount.

1 **1-07.2(3) Services**

2
3 The Contractor shall not collect retail sales tax from the Contracting Agency on any contract
4 wholly for professional or other services (as defined in Washington State Department of
5 Revenue Rules 138 and 244).
6

7 **1-07.4 Sanitation**

8
9 **1-07.4(2) Health Hazards**

10 Section 1-07.4(2) is supplemented with the following:

11 **(May 13, 2020)**

12 **COVID-19 Health and Safety Plan (CHSP)**

13 The Contractor shall prepare a project specific COVID-19 health and safety plan (CHSP).
14 The CHSP shall be prepared and submitted as a Type 2 Working Drawing prior to
15 beginning physical Work. The CHSP shall be based on the most current State and Federal
16 requirements. If the State or Federal requirements are revised, the CHSP shall be updated
17 as necessary to conform to the current requirements.
18

19
20 The Contractor shall update and resubmit the CHSP as the work progresses and new
21 activities appear on the look ahead schedule required under Section 1-08.3(2)D. If the
22 conditions change on the project, or a particular activity, the Contractor shall update and
23 resubmit the CHSP. Work on any activity shall cease if conditions prevent full compliance
24 with the CHSP.
25

26 The CHSP shall address the health and safety of all people associated with the project
27 including State workers in the field, Contractor personnel, consultants, project staff,
28 subcontractors, suppliers and anyone on the project site, staging areas, or yards.
29

30 **COVID-19 Health and Safety Plan (CHSP) Inspection**

31 The Contractor shall grant full and unrestricted access to the Engineer for CHSP
32 Inspections. The Engineer (or designee) will conduct periodic compliance inspections on
33 the project site, staging areas, or yards to verify that any ongoing work activity is following
34 the CHSP plan. If the Engineer becomes aware of a noncompliance incident either
35 through a site inspection or other means, the Contractor will be notified immediately
36 (within 1 hour). The Contractor shall immediately remedy the noncompliance incident or
37 suspend all or part of the associated work activity. The Contractor shall satisfy the
38 Engineer that the noncompliance incident has been corrected before the suspension will
39 end.
40

41 **1-07.5 Environmental Regulations**

42 Section 1-07.5 is supplemented with the following:

43
44 **(September 20, 2010)**

45 **Environmental Commitments**

46 The following Provisions summarize the requirements, in addition to those required elsewhere
47 in the Contract, imposed upon the Contracting Agency by the various documents referenced
48 in the Special Provisions **Permits and Licenses**. Throughout the work, the Contractor shall
49 comply with the following requirements:
50

51 **U.S. Army Corps of Engineers**

Section 1-07.5(5) is supplemented with the following:

(April 2, 2018)

The following Provisions summarize the requirements, in addition to those required elsewhere in the Contract, imposed upon the Contracting Agency by the U.S. Army Corps of Engineers. Throughout the work, the Contractor shall comply with the following requirements:

(February 25, 2013)

The Contractor shall retain a copy of the most recent U.S. Army Corps of Engineers Nationwide Permit Verification Letter, conditions, and permit drawings on the worksite for the life of the Contract (See Special Provision titled Permits and Licenses). The Contractor shall provide copies of the items above listed to all Sub-Contractors involved with the authorized work prior to their commencement of any work.

1-07.6 Permits and Licenses

Section 1-07.6 is supplemented with the following:

(January 2, 2018)

The Contracting Agency has or will obtained the below-listed permits(s) for this project. A copy of the permit(s) is attached as an appendix for informational purposes. Copies of these permits, including a copy of the Transfer of Coverage form, when applicable, are required to be onsite at all times.

Contact with the permitting agencies, concerning the below-listed permit(s), shall be made through the Engineer with the exception of when the Construction Stormwater General Permit coverage is transferred to the Contractor, direct communication with the Department of Ecology is allowed. The Contractor shall be responsible for obtaining Ecology’s approval for any Work requiring additional approvals (e.g. Request for Chemical Treatment Form). The Contractor shall obtain additional permits as necessary. All costs to obtain and comply with additional permits shall be included in the applicable Bid items for the Work involved.

NAME OF DOCUMENT	PERMITTING AGENCY	PERMIT REFERENCE NO.
National Environmental Policy Act (NEPA) – Documented Categorical Exclusion	Federal Highway Administration	CE-BROS-2021(056)
Department of the Army Section 404 Nationwide 14	Corps of Engineers Seattle District	NWS-2020-805
Section 106 Concurrence	Corps of Engineers Seattle District	
Section 401 Water Quality Certification	Department of Ecology	
Hydraulic Permit Approval	Washington Department of Fish and Wildlife	
State Environmental Policy Act	Lewis County Community Development (LCCD)	SEP20-0014
Floodplain Permit	LCCD	20-00038
Fill and Grade Permit	LCCD	G20-00024

1 **The contractor shall ensure that all permit conditions outlined in the Environmental**
2 **Commitments spreadsheet are complied with (see Appendix E).**

3
4 **1-07.7 Load Limits**

5 Section 1-07.7 is supplemented with the following:

6
7 (*****)

8 If the source of materials provided by the Contractor necessitates hauling over roads other
9 than Lewis County roads, the Contractor shall, at the Contractor's expense, make all
10 arrangements for the use of the haul routes.

11
12 Any vehicle providing material paid for by the ton, on the project, will provide licensed
13 tonnage for that vehicle.

14
15 **1-07.9 Wages**

16
17 **General**

18 Section 1-07.9(1) is supplemented with the following:

19 (January 6, 2020)

20 The Federal wage rates incorporated in this contract have been established by the
21 Secretary of Labor under United States Department of Labor General Decision No.
22 WA20200001.
23

24 The State rates incorporated in this contract are applicable to all construction activities
25 associated with this contract.
26

27 (April 2, 2007)

28 **Application of Wage Rates for the Occupation of Landscape Construction**

29 State prevailing wage rates for public works contracts are included in this contract and
30 show a separate listing for the occupation:
31

32 Landscape Construction, which includes several different occupation descriptions
33 such as: Irrigation and Landscape Plumbers, Irrigation and Landscape Power
34 Equipment Operators, and Landscaping or Planting Laborers.
35

36 In addition, federal wage rates that are included in this contract may also include
37 occupation descriptions in Federal Occupational groups for work also specifically
38 identified with landscaping such as:
39

40 Laborers with the occupation description, Landscaping or Planting, or
41

42 Power Equipment Operators with the occupation description, Mulch Seeding
43 Operator.
44

45 If Federal wage rates include one or more rates specified as applicable to landscaping
46 work, then Federal wage rates for all occupation descriptions, specific or general, must
47 be considered and compared with corresponding State wage rates. The higher wage
48 rate, either State or Federal, becomes the minimum wage rate for the work performed in
49 that occupation.
50
51

Contractors are responsible for determining the appropriate crafts necessary to perform the contract work. If a classification considered necessary for performance of the work is missing from the Federal Wage Determination applicable to the contract, the Contractor shall initiate a request for approval of a proposed wage and benefit rate. The Contractor shall prepare and submit Standard Form 1444, Request for Authorization of Additional Classification and Wage Rate available at <http://www.wdol.gov/docs/sf1444.pdf> , and submit the completed form to the Project Engineer's office. The presence of a classification wage on the Washington State Prevailing Wage Rates For Public Works Contracts does not exempt the use of form 1444 for the purpose of determining a federal classification wage rate.

1-07.9(5) Required Documents
(January 3, 2020 APWA GSP)

Delete this section and replace it with the following:

General

All "Statements of Intent to Pay Prevailing Wages", "Affidavits of Wages Paid" and Certified Payrolls, including a signed Statement of Compliance for Federal-aid projects, shall be submitted to the Engineer and the State L&I online Prevailing Wage Intent & Affidavit (PWIA) system.

Intents and Affidavits

On forms provided by the Industrial Statistician of State L&I, the Contractor shall submit to the Engineer the following for themselves and for each firm covered under RCW 39.12 that will or has provided Work and materials for the Contract:

1. The approved "Statement of Intent to Pay Prevailing Wages" State L&I's form number F700-029-000. The Contracting Agency will make no payment under this Contract until this statement has been approved by State L&I and reviewed by the Engineer.
2. The approved "Affidavit of Prevailing Wages Paid", State L&I's form number F700-007-000. The Contracting Agency will not grant Completion until all approved Affidavit of Wages paid for the Contractor and all Subcontractors have been received by the Engineer. The Contracting Agency will not release to the Contractor any funds retained under RCW 60.28.011 until "Affidavit of Prevailing Wages Paid" forms have been approved by State L&I and all of the approved forms have been submitted to the Engineer for every firm that worked on the Contract.

The Contractor is responsible for requesting these forms from State L&I and for paying any fees required by State L&I.

Certified Payrolls

Certified payrolls are required to be submitted by the Contractor for themselves, all Subcontractors and all lower tier subcontractors. The payrolls shall be submitted weekly on all Federal-aid projects and no less than monthly on State funded projects.

Penalties for Noncompliance

The Contractor is advised, if these payrolls are not supplied within the prescribed deadlines, any or all payments may be withheld until compliance is achieved. In addition, failure to provide

1 these payrolls may result in other sanctions as provided by State laws (RCW 39.12.050) and/or
2 Federal regulations (29 CFR 5.12).

3
4
5 **1-07.11 Requirements For Nondiscrimination**

6 Section 1-07.11 is supplemented with the following:

7
8 (September 3, 2019)

9 Requirement for Affirmative Action to Ensure Equal Employment Opportunity (Executive Order
10 11246)

- 11
12 1. The Contractor's attention is called to the Equal Opportunity Clause and the Standard
13 Federal Equal Employment Opportunity Construction Contract Specifications set forth
14 herein.
- 15
16 2. The goals and timetables for minority and female participation set by the Office of Federal
17 Contract Compliance Programs, expressed in percentage terms for the Contractor's
18 aggregate work force in each construction craft and in each trade on all construction work
19 in the covered area, are as follows:

20
21 Women - Statewide

22 Timetable

23 Goal

24
25 Until further notice

6.9%

26 Minorities - by Standard Metropolitan Statistical Area (SMSA)

27
28 Spokane, WA:

29 SMSA Counties:

30 Spokane, WA

2.8

31 WA Spokane.

32 Non-SMSA Counties

3.0

33 WA Adams; WA Asotin; WA Columbia; WA Ferry; WA Garfield; WA Lincoln,
34 WA Pend Oreille; WA Stevens; WA Whitman.

35
36 Richland, WA

37 SMSA Counties:

38 Richland Kennewick, WA

5.4

39 WA Benton; WA Franklin.

40 Non-SMSA Counties

3.6

41 WA Walla Walla.

42
43 Yakima, WA:

44 SMSA Counties:

45 Yakima, WA

9.7

46 WA Yakima.

47 Non-SMSA Counties

7.2

48 WA Chelan; WA Douglas; WA Grant; WA Kittitas; WA Okanogan.

1 Seattle, WA:
 2 SMSA Counties:
 3 Seattle Everett, WA 7.2
 4 WA King; WA Snohomish.
 5 Tacoma, WA 6.2
 6 WA Pierce.
 7 Non-SMSA Counties 6.1
 8 WA Clallam; WA Grays Harbor; WA Island; WA Jefferson; WA Kitsap; WA
 9 Lewis; WA Mason; WA Pacific; WA San Juan; WA Skagit; WA Thurston;
 10 WA Whatcom.

11
 12 Portland, OR:
 13 SMSA Counties:
 14 Portland, OR-WA 4.5
 15 WA Clark.
 16 Non-SMSA Counties 3.8
 17 WA Cowlitz; WA Klickitat; WA Skamania; WA Wahkiakum.

18
 19 These goals are applicable to each nonexempt Contractor's total on-site construction
 20 workforce, regardless of whether or not part of that workforce is performing work on a
 21 Federal, or federally assisted project, contract, or subcontract until further notice.
 22 Compliance with these goals and time tables is enforced by the Office of Federal Contract
 23 compliance Programs.

24
 25 The Contractor's compliance with the Executive Order and the regulations in 41 CFR Part
 26 60-4 shall be based on its implementation of the Equal Opportunity Clause, specific
 27 affirmative action obligations required by the specifications set forth in 41 CFR 60-4.3(a),
 28 and its efforts to meet the goals. The hours of minority and female employment and
 29 training must be substantially uniform throughout the length of the contract, in each
 30 construction craft and in each trade, and the Contractor shall make a good faith effort to
 31 employ minorities and women evenly on each of its projects. The transfer of minority or
 32 female employees or trainees from Contractor to Contractor or from project to project for
 33 the sole purpose of meeting the Contractor's goal shall be a violation of the contract, the
 34 Executive Order and the regulations in 41 CFR Part 60-4. Compliance with the goals will
 35 be measured against the total work hours performed.

- 36
 37 3. The Contractor shall provide written notification to the Office of Federal Contract
 38 Compliance Programs (OFCCP) within 10 working days of award of any construction
 39 subcontract in excess of \$10,000 or more that are Federally funded, at any tier for
 40 construction work under the contract resulting from this solicitation. The notification shall
 41 list the name, address and telephone number of the Subcontractor; employer identification
 42 number of the Subcontractor; estimated dollar amount of the subcontract; estimated
 43 starting and completion dates of the subcontract; and the geographical area in which the
 44 contract is to be performed. The notification shall be sent to:

45
 46 U.S. Department of Labor
 47 Office of Federal Contract Compliance Programs Pacific Region
 48 Attn: Regional Director
 49 San Francisco Federal Building
 50 90 – 7th Street, Suite 18-300
 51 San Francisco, CA 94103(415) 625-7800 Phone

1 (415) 625-7799 Fax

- 2
3 4. As used in this Notice, and in the contract resulting from this solicitation, the Covered Area
4 is as designated herein.

5
6 Standard Federal Equal Employment Opportunity Construction Contract Specifications
7 (Executive Order 11246)

- 8
9 1. As used in these specifications:

- 10
11 a. Covered Area means the geographical area described in the solicitation from
12 which this contract resulted;
13
14 b. Director means Director, Office of Federal Contract Compliance Programs,
15 United States Department of Labor, or any person to whom the Director
16 delegates authority;
17
18 c. Employer Identification Number means the Federal Social Security number used
19 on the Employer's Quarterly Federal Tax Return, U. S. Treasury Department
20 Form 941;
21
22 d. Minority includes:

- 23
24 (1) Black, a person having origins in any of the Black Racial Groups of
25 Africa.
26
27 (2) Hispanic, a fluent Spanish speaking, Spanish surnamed person of
28 Mexican, Puerto Rican, Cuban, Central American, South American, or
29 other Spanish origin.
30
31 (3) Asian or Pacific Islander, a person having origins in any of the original
32 peoples of the Pacific rim or the Pacific Islands, the Hawaiian Islands
33 and Samoa.
34
35 (4) American Indian or Alaskan Native, a person having origins in any of
36 the original peoples of North America, and who maintain cultural
37 identification through tribal affiliation or community recognition.

- 38
39 2. Whenever the Contractor, or any Subcontractor at any tier, subcontracts a portion of the
40 work involving any construction trade, it shall physically include in each subcontract in
41 excess of \$10,000 the provisions of these specifications and the Notice which contains
42 the applicable goals for minority and female participation and which is set forth in the
43 solicitations from which this contract resulted.

- 44
45 3. If the Contractor is participating (pursuant to 41 CFR 60-4.5) in a Hometown Plan
46 approved by the U.S. Department of Labor in the covered area either individually or
47 through an association, its affirmative action obligations on all work in the Plan area
48 (including goals and timetables) shall be in accordance with that Plan for those trades
49 which have unions participating in the Plan. Contractors must be able to demonstrate
50 their participation in and compliance with the provisions of any such Hometown Plan.
51 Each Contractor or Subcontractor participating in an approved Plan is individually required

1 to comply with its obligations under the EEO clause, and to make a good faith effort to
2 achieve each goal under the Plan in each trade in which it has employees. The overall
3 good faith performance by other Contractors or Subcontractors toward a goal in an
4 approved Plan does not excuse any covered Contractor's or Subcontractor's failure to
5 take good faith effort to achieve the Plan goals and timetables.
6

- 7
- 8 4. The Contractor shall implement the specific affirmative action standards provided in
9 paragraphs 7a through 7p of this Special Provision. The goals set forth in the solicitation
10 from which this contract resulted are expressed as percentages of the total hours of
11 employment and training of minority and female utilization the Contractor should
12 reasonably be able to achieve in each construction trade in which it has employees in the
13 covered area. Covered construction contractors performing construction work in
14 geographical areas where they do not have a Federal or federally assisted construction
15 contract shall apply the minority and female goals established for the geographical area
16 where the work is being performed. The Contractor is expected to make substantially
17 uniform progress in meeting its goals in each craft during the period specified.
- 18
- 19 5. Neither the provisions of any collective bargaining agreement, nor the failure by a union
20 with whom the Contractor has a collective bargaining agreement, to refer either minorities
21 or women shall excuse the Contractor's obligations under these specifications, Executive
22 Order 11246, or the regulations promulgated pursuant thereto.
- 23
- 24 6. In order for the nonworking training hours of apprentices and trainees to be counted in
25 meeting the goals, such apprentices and trainees must be employed by the Contractor
26 during the training period, and the Contractor must have made a commitment to employ
27 the apprentices and trainees at the completion of their training, subject to the availability
28 of employment opportunities. Trainees must be trained pursuant to training programs
29 approved by the U.S. Department of Labor.
- 30
- 31 7. The Contractor shall take specific affirmative actions to ensure equal employment
32 opportunity. The evaluation of the Contractor's compliance with these specifications shall
33 be based upon its effort to achieve maximum results from its action. The Contractor shall
34 document these efforts fully, and shall implement affirmative action steps at least as
35 extensive as the following:
- 36
- 37 a. Ensure and maintain a working environment free of harassment, intimidation,
38 and coercion at all sites, and in all facilities at which the Contractor's employees
39 are assigned to work. The Contractor, where possible, will assign two or more
40 women to each construction project. The Contractor shall specifically ensure
41 that all foremen, superintendents, and other on-site supervisory personnel are
42 aware of and carry out the Contractor's obligation to maintain such a working
43 environment, with specific attention to minority or female individuals working at
44 such sites or in such facilities.
- 45
- 46 b. Establish and maintain a current list of minority and female recruitment sources,
47 provide written notification to minority and female recruitment sources and to
48 community organizations when the Contractor or its unions have employment
49 opportunities available, and maintain a record of the organizations' responses.
- 50
- 51 c. Maintain a current file of the names, addresses and telephone numbers of each
minority and female off-the-street applicant and minority or female referral from

1 a union, a recruitment source or community organization and of what action was
2 taken with respect to each such individual. If such individual was sent to the
3 union hiring hall for referral and was not referred back to the Contractor by the
4 union or, if referred, not employed by the Contractor, this shall be documented
5 in the file with the reason therefor, along with whatever additional actions the
6 Contractor may have taken.

- 7
- 8 d. Provide immediate written notification to the Director when the union or unions
9 with which the Contractor has a collective bargaining agreement has not referred
10 to the Contractor a minority person or woman sent by the Contractor, or when
11 the Contractor has other information that the union referral process has impeded
12 the Contractor's efforts to meet its obligations.
- 13
- 14 e. Develop on-the-job training opportunity and/or participate in training programs
15 for the area which expressly include minorities and women, including upgrading
16 programs and apprenticeship and trainee programs relevant to the Contractor's
17 employment needs, especially those programs funded or approved by the U.S.
18 Department of Labor. The Contractor shall provide notice of these programs to
19 the sources compiled under 7b above.
- 20
- 21 f. Disseminate the Contractor's EEO policy by providing notice of the policy to
22 unions and training programs and requesting their cooperation in assisting the
23 Contractor in meeting its EEO obligations; by including it in any policy manual
24 and collective bargaining agreement; by publicizing it in the company
25 newspaper, annual report, etc.; by specific review of the policy with all
26 management personnel and with all minority and female employees at least
27 once a year; and by posting the company EEO policy on bulletin boards
28 accessible to all employees at each location where construction work is
29 performed.
- 30
- 31 g. Review, at least annually, the company's EEO policy and affirmative action
32 obligations under these specifications with all employees having any
33 responsibility for hiring, assignment, layoff, termination or other employment
34 decisions including specific review of these items with on-site supervisory
35 personnel such as Superintendents, General Foremen, etc., prior to the initiation
36 of construction work at any job site. A written record shall be made and
37 maintained identifying the time and place of these meetings, persons attending,
38 subject matter discussed, and disposition of the subject matter.
- 39
- 40 h. Disseminate the Contractor's EEO policy externally by including it in any
41 advertising in the news media, specifically including minority and female news
42 media, and providing written notification to and discussing the Contractor's EEO
43 policy with other Contractors and Subcontractors with whom the Contractor does
44 or anticipates doing business.
- 45
- 46 i. Direct its recruitment efforts, both oral and written to minority, female and
47 community organizations, to schools with minority and female students and to
48 minority and female recruitment and training organizations serving the
49 Contractor's recruitment area and employment needs. Not later than one month
50 prior to the date for the acceptance of applications for apprenticeship or other
51 training by any recruitment source, the Contractor shall send written notification

1 to organizations such as the above, describing the openings, screening
2 procedures, and tests to be used in the selection process.

- 3
- 4 j. Encourage present minority and female employees to recruit other minority
5 persons and women and where reasonable, provide after school, summer and
6 vacation employment to minority and female youth both on the site and in other
7 areas of a Contractor's work force.
- 8
- 9 k. Validate all tests and other selection requirements where there is an obligation
10 to do so under 41 CFR Part 60-3.
- 11
- 12 l. Conduct, at least annually, an inventory and evaluation of all minority and female
13 personnel for promotional opportunities and encourage these employees to seek
14 or to prepare for, through appropriate training, etc., such opportunities.
- 15
- 16 m. Ensure that seniority practices, job classifications, work assignments and other
17 personnel practices, do not have a discriminatory effect by continually monitoring
18 all personnel and employment related activities to ensure that the EEO policy
19 and the Contractor's obligations under these specifications are being carried out.
- 20
- 21 n. Ensure that all facilities and company activities are nonsegregated except that
22 separate or single-user toilet and necessary changing facilities shall be provided
23 to assure privacy between the sexes.
- 24
- 25 o. Document and maintain a record of all solicitations of offers for subcontracts from
26 minority and female construction contractors and suppliers, including circulation
27 of solicitations to minority and female contractor associations and other business
28 associations.
- 29
- 30 p. Conduct a review, at least annually, of all supervisors' adherence to and
31 performance under the Contractor's EEO policies and affirmative action
32 obligations.
- 33

34 8. Contractors are encouraged to participate in voluntary associations which assist in
35 fulfilling one or more of their affirmative action obligations (7a through 7p). The efforts of
36 a contractor association, joint contractor-union, contractor-community, or other similar
37 group of which the Contractor is a member and participant, may be asserted as fulfilling
38 any one or more of the obligations under 7a through 7p of this Special Provision provided
39 that the Contractor actively participates in the group, makes every effort to assure that the
40 group has a positive impact on the employment of minorities and women in the industry,
41 ensure that the concrete benefits of the program are reflected in the Contractor's minority
42 and female work-force participation, makes a good faith effort to meet its individual goals
43 and timetables, and can provide access to documentation which demonstrate the
44 effectiveness of actions taken on behalf of the Contractor. The obligation to comply,
45 however, is the Contractor's and failure of such a group to fulfill an obligation shall not be
46 a defense for the Contractor's noncompliance.

47

48 9. A single goal for minorities and a separate single goal for women have been established.
49 The Contractor, however, is required to provide equal employment opportunity and to take
50 affirmative action for all minority groups, both male and female, and all women, both
51 minority and non-minority. Consequently, the Contractor may be in violation of the

1 Executive Order if a particular group is employed in substantially disparate manner (for
2 example, even though the Contractor has achieved its goals for women generally, the
3 Contractor may be in violation of the Executive Order if a specific minority group of women
4 is underutilized).

- 5
- 6 10. The Contractor shall not use the goals and timetables or affirmative action standards to
7 discriminate against any person because of race, color, religion, sex, or national origin.
8
- 9 11. The Contractor shall not enter into any subcontract with any person or firm debarred from
10 Government contracts pursuant to Executive Order 11246.
11
- 12 12. The Contractor shall carry out such sanctions and penalties for violation of these
13 specifications and of the Equal Opportunity Clause, including suspensions, terminations
14 and cancellations of existing subcontracts as may be imposed or ordered pursuant to
15 Executive Order 11246, as amended, and its implementing regulations by the Office of
16 Federal Contract Compliance Programs. Any Contractor who fails to carry out such
17 sanctions and penalties shall be in violation of these specifications and Executive Order
18 11246, as amended.
19
- 20 13. The Contractor, in fulfilling its obligations under these specifications, shall implement
21 specific affirmative action steps, at least as extensive as those standards prescribed in
22 paragraph 7 of this Special Provision, so as to achieve maximum results from its efforts
23 to ensure equal employment opportunity. If the Contractor fails to comply with the
24 requirements of the Executive Order, the implementing regulations, or these
25 specifications, the Director shall proceed in accordance with 41 CFR 60-4.8.
26
- 27 14. The Contractor shall designate a responsible official to monitor all employment related
28 activity to ensure that the company EEO policy is being carried out, to submit reports
29 relating to the provisions hereof as may be required by the government and to keep
30 records. Records shall at least include, for each employee, their name, address,
31 telephone numbers, construction trade, union affiliation if any, employee identification
32 number when assigned, social security number, race, sex, status (e.g., mechanic,
33 apprentice, trainee, helper, or laborer), dates of changes in status, hours worked per week
34 in the indicated trade, rate of pay, and locations at which the work was performed.
35 Records shall be maintained in an easily understandable and retrievable form; however,
36 to the degree that existing records satisfy this requirement, the Contractors will not be
37 required to maintain separate records.
38
- 39 15. Nothing herein provided shall be construed as a limitation upon the application of other
40 laws which establish different standards of compliance or upon the application of
41 requirements for the hiring of local or other area residents (e.g., those under the Public
42 Works Employment Act of 1977 and the Community Development Block Grant Program).
43
- 44 16. Additional assistance for Federal Construction Contractors on contracts administered by
45 Washington State Department of Transportation or by Local Agencies may be found at:

46
47 Washington State Dept. of Transportation
48 Office of Equal Opportunity
49 PO Box 47314
50 310 Maple Park Ave. SE
51 Olympia WA

1 98504-7314
2 Ph: 360-705-7090
3 Fax: 360-705-6801
4 <http://www.wsdot.wa.gov/equalopportunity/default.htm>

5
6 **1-07.11 Requirements for Nondiscrimination**
7 *(December 19, 2019 APWA GSP, Option B)*

8
9 Supplement this section with the following:

10
11 **Disadvantaged Business Enterprise Participation**

12 The Disadvantaged Business Enterprise (DBE) requirements of 49 CFR Part 26 and USDOT's
13 official interpretations (i.e., Questions & Answers) apply to this Contract. Demonstrating
14 compliance with these Specifications is a Condition of Award (COA) of this Contract. Failure
15 to comply with the requirements of this Specification may result in your Bid being found to be
16 nonresponsive resulting in rejection or other sanctions as provided by Contract.

17
18 **DBE Abbreviations and Definitions**

19 **Broker** – A business firm that provides a bona fide service, such as professional,
20 technical, consultant or managerial services and assistance in the procurement of
21 essential personnel, facilities, equipment, materials, or supplies required for the
22 performance of the Contract; or, persons/companies who arrange or expedite
23 transactions.

24
25 **Certified Business Description** – Specific descriptions of work the DBE is certified
26 to perform, as identified in the Certified Firm Directory, under the Vendor Information
27 page.

28
29 **Certified Firm Directory** – A database of all Minority, Women, and Disadvantaged
30 Business Enterprises, including those identified as a UDBE, currently certified by
31 Washington State. The on-line Directory is available to Bidders for their use in
32 identifying and soliciting interest from DBE firms. The database is located under the
33 Firm Certification section of the Diversity Management and Compliance System web
34 page at: <https://omwbe.diversitycompliance.com>.

35
36 **Commercially Useful Function (CUF)** – 49 CFR 26.55(c)(1) defines commercially
37 useful function as: *“A DBE performs a commercially useful function when it is*
38 *responsible for execution of the work of the contract and is carrying out its*
39 *responsibilities by actually performing, managing, and supervising the work involved.*
40 *To perform a commercially useful function, the DBE must also be responsible, with*
41 *respect to materials and supplies used on the contract, for negotiating price,*
42 *determining quality and quantity, ordering the material, and installing (where*
43 *applicable) and paying for the material itself. To determine whether a DBE is*
44 *performing a commercially useful function, you must evaluate the amount of work*
45 *subcontracted, industry practices, whether the amount the firm is to be paid under*
46 *the contract is commensurate with the work it is actually performing and the DBE*
47 *credit claimed for its performance of the work, and other relevant factors.”*

48
49 **Disadvantaged Business Enterprise (DBE)** – A business firm certified by the
50 Washington State Office of Minority and Women's Business Enterprises, as meeting

1 the criteria outlined in 49 CFR 26 regarding DBE certification. A Underutilized
2 Disadvantaged Business Enterprise (UDBE) firm is a subset of DBE.

3
4 **Force Account Work** – Work measured and paid in accordance with Section 1-09.6.

5
6 **Good Faith Efforts** – Efforts to achieve the UDBE COA Goal or other requirements
7 of this part which, by their scope, intensity, and appropriateness to the objective, can
8 reasonably be expected to fulfill the program requirement.

9
10 **Manufacturer (DBE)** – A DBE firm that operates or maintains a factory or
11 establishment that produces on the premises the materials, supplies, articles, or
12 equipment required under the Contract. A DBE Manufacturer shall produce finished
13 goods or products from raw or unfinished material or purchase and substantially
14 alters goods and materials to make them suitable for construction use before reselling
15 them.

16
17 **Reasonable Fee (DBE)** – For purposes of Brokers or service providers a reasonable
18 fee shall not exceed 5% of the total cost of the goods or services brokered.

19
20 **Regular Dealer (DBE)** – A DBE firm that owns, operates, or maintains a store,
21 warehouse, or other establishment in which the materials or supplies required for the
22 performance of a Contract are bought, kept in stock, and regularly sold to the public
23 in the usual course of business. To be a Regular Dealer, the DBE firm must be an
24 established regular business that engages in as its principal business and in its own
25 name the purchase and sale of the products in question. A Regular Dealer in such
26 items as steel, cement, gravel, stone, and petroleum products need not own, operate
27 or maintain a place of business if it both owns and operates distribution equipment
28 for the products. Any supplementing of regular dealers' own distribution equipment
29 shall be by long-term formal lease agreements and not on an ad-hoc basis. Brokers,
30 packagers, manufacturers' representatives, or other persons who arrange or
31 expedite transactions shall not be regarded as Regular Dealers within the meaning
32 of this definition.

33
34 **Underutilized Disadvantaged Business Enterprise (UDBE)** – A DBE Firm that is
35 underutilized based on WSDOT's Disparity Study.

36
37 **UDBE Commitment** – The dollar amount the Bidder indicates they will be
38 subcontracting to be applied towards the UDBE Condition of Award Goal as shown
39 on the UDBE Utilization Certification Form for each UDBE Subcontractor. This UDBE
40 Commitment amount will be incorporated into the Contract and shall be considered
41 a Contract requirement. Any changes to the UDBE Commitment require the
42 Engineer's approval.

43
44 **UDBE Condition of Award (COA) Goal** – An assigned numerical amount specified
45 as a percentage of the Contract. Initially, this is the minimum amount that the Bidder
46 must commit to by submission of the Utilization Certification Form and/or by Good
47 Faith Effort (GFE).

48
49 **UDBE COA Goal**

50 The Contracting Agency has established a UDBE COA Goal for this Contract in the
51 amount of: *** **8%** ***

1
2 **Crediting DBE Participation**

3 Subcontractors proposed as COA must be certified prior to the due date for bids on the
4 Contract. All non-COA DBE Subcontractors shall be certified before the subcontract on
5 which they are participating is executed.

6
7 DBE participation is only credited upon payment to the DBE.

8
9 The following are some definitions of what may be counted as DBE participation.

10
11 **DBE Prime Contractor**

12 Only take credit for that portion of the total dollar value of the Contract equal to the
13 distinct, clearly defined portion of the Work that the DBE Prime Contractor performs
14 with its own forces and is certified to perform.

15
16 **DBE Subcontractor**

17 Only take credit for that portion of the total dollar value of the subcontract that is equal
18 to the distinct, clearly defined portion of the Work that the DBE performs with its own
19 forces and is certified to perform. The value of work performed by the DBE includes
20 the cost of supplies and materials purchased by the DBE and equipment leased by
21 the DBE, for its work on the contract. Supplies, materials or equipment obtained by
22 a DBE that are not utilized or incorporated in the contract work by the DBE will not
23 be eligible for DBE credit.

24
25 The supplies, materials, and equipment purchased or leased from the Contractor or
26 its affiliate, including any Contractor's resources available to DBE subcontractors at
27 no cost, shall not be credited.

28
29 DBE credit will not be given in instances where the equipment lease includes the
30 operator. The DBE is expected to operate the equipment used in the performance of
31 its work under the contract with its own forces. Situations where equipment is leased
32 and used by the DBE, but payment is deducted from the Contractor's payment to the
33 DBE is not allowed.

34
35 When the subcontractor is part of a UDBE Commitment, the following apply:

- 36
37 1. If a UDBE subcontracts a portion of the Work of its contract to another firm,
38 the value of the subcontracted Work may be counted toward the UDBE
39 COA Goal only if the Lower-Tier Subcontractor is also a UDBE.
40
41 2. Work subcontracted to a Lower-Tier Subcontractor that is a DBE, but not a
42 UDBE, may be counted as DBE participation but not counted toward the
43 UDBE COA Goal.
44
45 3. Work subcontracted to a non-DBE does not count towards the UDBE COA
46 Goal nor DBE participation.

47
48 **DBE Subcontract and Lower Tier Subcontract Documents**

49 There must be a subcontract agreement that complies with 49 CFR Part 26 and fully
50 describes the distinct elements of Work committed to be performed by the DBE.
51

1 **DBE Service Provider**

2 The value of fees or commissions charged by a DBE firm behaving in a manner of a
3 Broker, or another service provider for providing a bona fide service, such as
4 professional, technical, consultant, managerial services, or for providing bonds or
5 insurance specifically required for the performance of the contract will only be
6 credited as DBE participation, if the fee/commission is determined by the Contracting
7 Agency to be reasonable and the firm has performed a CUF.

8
9 **Force Account Work**

10 When the Bidder elects to utilize force account Work to meet the UDBE COA Goal,
11 as demonstrated by listing this force account Work on the UDBE Utilization
12 Certification Form, for the purposes of meeting UDBE COA Goal, only 50% of the
13 Proposal amount shall be credited toward the Bidder's Commitment to meet the
14 UDBE COA Goal.

15
16 One hundred percent of the actual amounts paid to the DBE for the force account
17 Work shall be credited towards UDBE COA Goal or DBE participation.

18
19 **Temporary Traffic Control**

20 If the DBE firm is being utilized in the capacity of only "Flagging", the DBE firm must
21 provide a Traffic Control Supervisor (TCS) and flagger, which are under the direct
22 control of the DBE. The DBE firm shall also provide all flagging equipment (e.g.
23 paddles, hard hats, and vests).

24
25 If the DBE firm is being utilized in the capacity of "Traffic Control Services", the DBE
26 firm must provide a TCS, flaggers, and traffic control items (e.g., cones, barrels,
27 signs, etc.) and be in total control of all items in implementing the traffic control for
28 the project.

29
30 **Trucking**

31 DBE trucking firm participation may only be credited as DBE participation for the
32 value of the hauling services, not for the materials being hauled unless the trucking
33 firm is also certified as a supplier of those materials. In situations where the DBE's
34 work is priced per ton, the value of the hauling service must be calculated separately
35 from the value of the materials in order to determine DBE credit for hauling

36
37 The DBE trucking firm must own and operate at least one licensed, insured and
38 operational truck on the contract. The truck must be of the type that is necessary to
39 perform the hauling duties required under the contract. The DBE receives credit for
40 the value of the transportation services it provides on the Contract using trucks it
41 owns or leases, licenses, insures, and operates with drivers it employs.

42
43 The DBE may lease additional trucks from another DBE firm. The DBE who leases
44 additional trucks from another DBE firm receives credit for the value of the
45 transportation services the lessee DBE provides on the Contract.

46
47 The trucking Work subcontracted to any non-DBE trucking firm will not receive credit
48 for Work done on the project.

1 The DBE may lease trucks from a truck leasing company (recognized truck rental
2 center), but can only receive credit towards DBE participation if the DBE uses its own
3 employees as drivers.

4
5 **DBE Manufacturer and DBE Regular Dealer**

6 One hundred percent (100%) of the cost of the manufactured product obtained from
7 a DBE manufacturer can count as DBE participation. If the DBE manufacturer is a
8 UDBE, participation may count towards the UDBE COA Goal.

9
10 Sixty percent (60%) of the cost of materials or supplies purchased from a DBE
11 Regular Dealer may be credited as DBE Participation. If the role of the DBE Regular
12 Dealer is determined to be that of a Broker, then DBE credit shall be limited to the
13 fee or commission it receives for its services. Regular Dealer status and the amount
14 of credit is determined on a Contract-by-Contract basis. If the DBE regular dealer is
15 a UDBE, participation may count towards the UDBE COA Goal.

16
17 DBE firms proposed to be used as a Regular Dealer must be approved before being
18 listed as a COA/used on a project. The WSDOT Approved Regular Dealer list
19 published on WSDOT's Office of Equal Opportunity (OEO) web site must include the
20 specific project for which approval is being requested. For purposes of the UDBE
21 COA Goal participation, the Regular Dealer must submit the Regular Dealer Status
22 Request form a minimum of five calendar days prior to bid opening.

23
24 Purchase of materials or supplies from a DBE which is neither a manufacturer nor a
25 regular dealer, (i.e. Broker) only the fees or commissions charged for assistance in
26 the procurement of the materials and supplies, or fees or transportation charges for
27 the delivery of materials or supplies required on a job site, can count as DBE
28 participation provided the fees are not excessive as compared with fees customarily
29 allowed for similar services. Documentation will be required to support the
30 fee/commission charged by the DBE. The cost of the materials and supplies
31 themselves cannot be counted toward as DBE participation.

32
33 Note: Requests to be listed as a Regular Dealer will only be processed if the
34 requesting firm is a material supplier certified by the Office of Minority and
35 Women's Business Enterprises in a NAICS code that falls within the 42XXXX
36 NAICS Wholesale code section.

37
38 **Underutilized Disadvantaged Business Enterprise Utilization**

39 The requirements of this section apply to projects with a UDBE COA Goal. To be eligible
40 for award of the Contract, the Bidder shall properly complete and submit an Underutilized
41 Disadvantaged Business Enterprise (UDBE) Utilization Certification with the Bidder's
42 sealed Bid Proposal, as specified in Section 1-02.9 Delivery of Proposal. The Bidder's
43 UDBE Utilization Certification must clearly demonstrate how the Bidder intends to meet
44 the UDBE COA Goal. A UDBE Utilization Certification (WSDOT Form 272-056U) is
45 included in the Proposal package for this purpose as well as instructions on how to
46 properly fill out the form.

47
48 The Bidder is advised that the items listed below when listed in the Utilization Certification
49 must have their amounts reduced to the percentages shown and those reduced amounts
50 will be the amount applied towards meeting the UDBE COA Goal.

- Force account at 50%
- Regular dealer at 60%

In the event of arithmetic errors in completing the UDBE Utilization Certification, the amount listed to be applied towards the UDBE COA Goal for each UDBE shall govern and the UDBE total amount shall be adjusted accordingly.

Note: The Contracting Agency shall consider as non-responsive and shall reject any Bid Proposal submitted that does not contain a UDBE Utilization Certification Form that accurately demonstrates how the Bidder intends to meet the UDBE COA Goal.

Underutilized Disadvantaged Business Enterprise Written Confirmation Document(s)

The requirements of this section apply to projects with a UDBE COA Goal. The Bidder shall submit an Underutilized Disadvantaged Business Enterprise (UDBE) Written Confirmation Document (completed and signed by the UDBE) for each UDBE firm listed in the Bidder's completed UDBE Utilization Certification submitted with the Bid. Failure to do so will result in the associated participation being disallowed, which may cause the Bid to be determined to be nonresponsive resulting in Bid rejection.

The Confirmation Documents provide confirmation from the UDBEs that they are participating in the Contract as provided in the Bidder's Commitment. The Confirmation Documents must be consistent with the Utilization Certification.

A UDBE Written Confirmation Document (WSDOT Form 422-031U) is included in the Proposal package for this purpose.

The form(s) shall be received as specified in the special provisions for Section 1-02.9 Delivery of Proposal.

It is prohibited for the Bidder to require a UDBE to submit a Written Confirmation Document with any part of the form left blank. Should the Contracting Agency determine that an incomplete Written Confirmation Document was signed by a UDBE, the validity of the document comes into question. The associated UDBE participation may not receive credit.

Selection of Successful Bidder/Good Faith Efforts (GFE)

The requirements of this section apply to projects with a UDBE COA Goal. The successful Bidder shall be selected on the basis of having submitted the lowest responsive Bid, which demonstrates a good faith effort to achieve the UDBE COA Goal. The Contracting Agency, at any time during the selection process, may request a breakdown of the bid items and amounts that are counted towards the overall contract goal for any of the UDBEs listed on the UDBE Utilization Certification.

Achieving the UDBE COA Goal may be accomplished in one of two ways:

1. By meeting the UDBE COA Goal
Submission of the UDBE Utilization Certification, supporting UDBE Written Confirmation Document(s) showing the Bidder has obtained enough UDBE

1 participation to meet or exceed the UDBE COA Goal, the UDBE Bid Item
2 Breakdown and the UDBE Trucking Credit Form, if applicable.

3
4 2. By documentation that the Bidder made adequate GFE to meet the UDBE COA
5 Goal

6 The Bidder may demonstrate a GFE in whole or part through GFE
7 documentation ONLY IN THE EVENT a Bidder's efforts to solicit sufficient UDBE
8 participation have been unsuccessful. The Bidder must supply GFE
9 documentation in addition to the UDBE Utilization Certification, supporting UDBE
10 Written Confirmation Document(s), the UDBE Bid Item Breakdown form and the
11 UDBE Trucking Credit Form, if applicable.

12
13 **Note:** In the case where a Bidder is awarded the contract based on demonstrating
14 adequate GFE, the advertised UDBE COA Goal will not be reduced. The
15 Bidder shall demonstrate a GFE during the life of the Contract to attain the
16 advertised UDBE COA Goal.

17
18 GFE documentation, the UDBE Bid Item Breakdown form, and the UDBE Trucking Credit
19 Form, if applicable, shall be submitted as specified in Section 1-02.9.

20
21 The Contracting Agency will review the GFE documentation and will determine if the
22 Bidder made an adequate good faith effort.

23
24 **Good Faith Effort (GFE) Documentation**

25 GFE is evaluated when:

- 26
27 1. Determining award of a Contract that has COA goal,
28
29 2. When a COA UDBE is terminated and substitution is required, and
30
31 3. Prior to Physical Completion when determining whether the Contractor has
32 satisfied its UDBE commitments.

33
34 49 CFR Part 26, Appendix A is intended as general guidance and does not, in itself,
35 demonstrate adequate good faith efforts. The following is a list of types of actions, which
36 would be considered as part of the Bidder's GFE to achieve UDBE participation. It is not
37 intended to be a mandatory checklist, nor is it intended to be exclusive or exhaustive.
38 Other factors or types of efforts may be relevant in appropriate cases.

- 39
40 1. Soliciting through all reasonable and available means (e.g. attendance at pre-
41 bid meetings, advertising and/or written notices) the interest of all certified
42 UDBEs who have the capability to perform the Work of the Contract. The Bidder
43 must solicit this interest within sufficient time to allow the UDBEs to respond to
44 the solicitation. The Bidder must determine with certainty if the UDBEs are
45 interested by taking appropriate steps to follow up initial solicitations.
46
47 2. Selecting portions of the Work to be performed by UDBEs in order to increase
48 the likelihood that the UDBE COA Goal will be achieved. This includes, where
49 appropriate, breaking out contract Work items into economically feasible units to
50 facilitate UDBE participation, even when the Bidder might otherwise prefer to
51 perform these Work items with its own forces.

- 1
- 2
- 3
- 4
- 5
- 6
- 7
- 8
- 9
- 10
- 11
- 12
- 13
- 14
- 15
- 16
- 17
- 18
- 19
- 20
- 21
- 22
- 23
- 24
- 25
- 26
- 27
- 28
- 29
- 30
- 31
- 32
- 33
- 34
- 35
- 36
- 37
- 38
- 39
- 40
- 41
- 42
- 43
- 44
- 45
- 46
- 47
- 48
- 49
- 50
- 51
3. Providing interested UDBEs with adequate information about the Plans, Specifications, and requirements of the Contract in a timely manner to assist them in responding to a solicitation.
 - a. Negotiating in good faith with interested UDBEs. It is the Bidder's responsibility to make a portion of the Work available to UDBE subcontractors and suppliers and to select those portions of the Work or material needs consistent with the available UDBE subcontractors and suppliers, so as to facilitate UDBE participation. Evidence of such negotiation includes the names, addresses, and telephone numbers of UDBEs that were considered; a description of the information provided regarding the Plans and Specifications for the Work selected for subcontracting; and evidence as to why additional agreements could not be reached for UDBEs to perform the Work.
 - b. A Bidder using good business judgment would consider a number of factors in negotiating with subcontractors, including DBE subcontractors, and would take a firm's price and capabilities as well as the UDBE COA Goal into consideration. However, the fact that there may be some additional costs involved in finding and using UDBEs is not in itself sufficient reason for a Bidder's failure to meet the UDBE COA Goal, as long as such costs are reasonable. Also, the ability or desire of a Bidder to perform the Work of a Contract with its own organization does not relieve the Bidder of the responsibility to make Good Faith Efforts. Bidders are not, however, required to accept higher quotes from UDBEs if the price difference is excessive or unreasonable.
4. Not rejecting UDBEs as being unqualified without sound reasons based on a thorough investigation of their capabilities. The Bidder's standing within its industry, membership in specific groups, organizations, or associations and political or social affiliations (for example union vs. non-union employee status) are not legitimate causes for the rejection or non-solicitation of bids in the Bidder's efforts to meet the UDBE COA Goal.
5. Making efforts to assist interested UDBEs in obtaining bonding, lines of credit, or insurance as required by the recipient or Bidder.
6. Making efforts to assist interested UDBEs in obtaining necessary equipment, supplies, materials, or related assistance or services.
7. Effectively using the services of available minority/women community organizations; minority/women contractors' groups; local, State, and Federal minority/women business assistance offices; and other organizations as allowed on a case-by-case basis to provide assistance in the recruitment and placement of UDBEs.
8. Documentation of GFE must include copies of each UDBE and non-DBE subcontractor quotes submitted to the Bidder when a non-DBE subcontractor is selected over a UDBE for Work on the Contract. (ref. updated DBE regulations – 26.53(b)(2)(vi) & App. A)

1
2 **Administrative Reconsideration of GFE Documentation**

3 A Bidder has the right to request reconsideration if the GFE documentation submitted with
4 their Bid was determined to be inadequate.

- 5
- 6 • The Bidder must request within 48 hours of notification of being nonresponsive
7 or forfeit the right to reconsideration.
 - 8
 - 9 • The reconsideration decision on the adequacy of the Bidder's GFE
10 documentation shall be made by an official who did not take part in the original
11 determination.
 - 12
 - 13 • Only original GFE documentation submitted as a supplement to the Bid shall be
14 considered. The Bidder shall not introduce new documentation at the
15 reconsideration hearing.
 - 16
 - 17 • The Bidder shall have the opportunity to meet in person with the official for the
18 purpose of setting forth the Bidder's position as to why the GFE documentation
19 demonstrates a sufficient effort.
 - 20
 - 21 • The reconsideration official shall provide the Bidder with a written decision on
22 reconsideration within five working days of the hearing explaining the basis for
23 their finding.
- 24

25 **UDBE Bid Item Breakdown**

26 The Bidder shall submit a UDBE Bid Item Breakdown Form (WSDOT Form 272-054) as
27 specified in the Special Provisions for Section 1-02.9, Delivery of Proposal.

28 **UDBE Trucking Credit Form**

29 The Bidder shall submit a UDBE Trucking Credit Form (WSDOT Form 272-058), as
30 specified in the Special Provisions for Section 1-02.9, Delivery of Proposal.

31

32

33 **Note:** The UDBE Trucking Credit Form is only required for a UDBE Firm listed on
34 the UDBE Utilization Certification as a subcontractor for "Trucking" or
35 "Hauling" and are performing a part of a bid item. For example, if the item of
36 Work is Structure Excavation including Haul, and another firm is doing the
37 excavation and the UDBE Trucking firm is doing the haul, the form is
38 required. For a UDBE subcontractor that is responsible for an entire item of
39 work that may require some use of trucks, the form is not required.

40

41 **Procedures between Award and Execution**

42 After Award and prior to Execution, the Contractor shall provide the
43 additional information described below. Failure to comply shall result in the
44 forfeiture of the Bidder's Proposal bond or deposit.

45

46 A list of all firms who submitted a bid or quote in attempt to participate in this project
47 whether they were successful or not. Include the business name and mailing address.

48

49 **Note:** The firms identified by the Contractor may be contacted by the Contracting
50 Agency to solicit general information as follows: age of the firm and average
51 of its gross annual receipts over the past three years.

1
2 **Procedures after Execution**

3 **Commercially Useful Function (CUF)**

4 The Contractor may only take credit for the payments made for Work performed by a
5 DBE that is determined to be performing a CUF. Payment must be commensurate
6 with the work actually performed by the DBE. This applies to all DBEs performing
7 Work on a project, whether or not the DBEs are COA, if the Contractor wants to
8 receive credit for their participation. The Engineer will conduct CUF reviews to
9 ascertain whether DBEs are performing a CUF. A DBE performs a CUF when it is
10 carrying out its responsibilities of its contract by actually performing, managing, and
11 supervising the Work involved. The DBE must be responsible for negotiating price;
12 determining quality and quantity; ordering the material, installing (where applicable);
13 and paying for the material itself. If a DBE does not perform “all” of these functions
14 on a furnish-and-install contract, it has not performed a CUF and the cost of materials
15 cannot be counted toward UDBE COA Goal. Leasing of equipment from a leasing
16 company is allowed. However, leasing/purchasing equipment from the Contractor is
17 not allowed. Lease agreements shall be provided prior to the Subcontractor
18 beginning Work. Any use of the Contractor’s equipment by a DBE may not be credited
19 as countable participation.

20
21 The DBE does not perform a CUF if its role is limited to that of an extra participant in
22 a transaction, contract, or project through which the funds are passed in order to
23 obtain the appearance of DBE participation.

24
25 In order for a DBE traffic control company to be considered to be performing a CUF,
26 the DBE must be in control of its work inclusive of supervision. The DBE shall employ
27 a Traffic Control Supervisor who is directly involved in the management and
28 supervision of the traffic control employees and services.

29
30 The following are some of the factors that the Engineer will use in determining
31 whether a DBE trucking company is performing a CUF:

- 32
- 33 • The DBE shall be responsible for the management and supervision of the
34 entire trucking operation for which it is responsible on the contract. The
35 owner demonstrates business related knowledge, shows up on site and is
36 determined to be actively running the business.
 - 37
 - 38 • The DBE itself shall own and operate at least one fully licensed, insured,
39 and operational truck used on the Contract. The drivers of the trucks owned
40 and leased by the DBE must be exclusively employed by the DBE and
41 reflected on the DBE’s payroll.
 - 42
 - 43 • Lease agreements for trucks shall indicate that the DBE has exclusive use
44 of and control over the truck(s). This does not preclude the leased truck from
45 working for others provided it is with the consent of the DBE and the lease
46 provides the DBE absolute priority for use of the leased truck.
 - 47
 - 48 • Leased trucks shall display the name and identification number of the DBE.
 - 49

1 **UDBE/DBE/FSBE Truck Unit Listing Log**

2 In addition to the subcontracting requirements of Section 1-08.1, each DBE trucking
3 firm shall submit supplemental information consisting of a completed Primary
4 UDBE/DBE/FSBE Truck Unit Listing Log (WSDOT Form 350-077), copy of vehicle
5 registrations, and all Rental/Lease agreements (if applicable). The supplemental
6 information shall be submitted to the Engineer prior to any trucking services being
7 performed for DBE credit. Incomplete or incorrect supplemental information will be
8 returned for correction. The corrected Primary UDBE/DBE/FSBE Truck Unit Listing
9 Log and any Updated Primary UDBE/DBE/FSBE Truck Unit Listing Logs shall be
10 submitted and accepted by the Engineer no later than ten calendar days of utilizing
11 applicable trucks. Failure to submit or update the DBE Truck Unit Listing Log may
12 result in trucks not being credited as DBE participation.

13
14 Each DBE trucking firm shall complete a Daily UDBE/DBE/FSBE Trucking Unit
15 Listing Log for each day that the DBE performs trucking services for DBE credit. The
16 Daily UDBE/DBE/FSBE Trucking Unit Listing Log forms shall be submitted to the
17 Engineer by Friday of the week after the work was performed.

18 **Joint Checking**

19 A joint check is a check between a Subcontractor and the Contractor to the supplier
20 of materials/supplies. The check is issued by the Contractor as payer to the
21 Subcontractor and the material supplier jointly for items to be incorporated into the
22 project. The DBE must release the check to the supplier, while the Contractor acts
23 solely as the guarantor.

24
25 A joint check agreement must be approved by the Engineer and requested by the
26 DBE involved using the DBE Joint Check Request Form (form # 272-053) prior to its
27 use. The form must accompany the DBE Joint Check Agreement between the parties
28 involved, including the conditions of the arrangement and expected use of the joint
29 checks.

30
31 The approval to use joint checks and the use will be closely monitored by the
32 Engineer. To receive DBE credit for performing a CUF with respect to obtaining
33 materials and supplies, a DBE must “be responsible for negotiating price, determining
34 quality and quantity, ordering the material, installing and paying for the material itself.”
35 The Contractor shall submit DBE Joint Check Request Form for the Engineer
36 approval prior to using a joint check.

37
38 Material costs paid by the Contractor directly to the material supplier are not allowed.
39 If proper procedures are not followed or the Engineer determines that the
40 arrangement results in lack of independence for the DBE involved, no DBE credit will
41 be given for the DBE’s participation as it relates to the material cost.

42 **Prompt Payment**

43
44 Prompt payment to all subcontractors shall be in accordance with Section 1-08.1.
45 Prompt payment requirements apply to progress payments as well as return of
46 retainage.

1 **Subcontracts**

2 Prior to a DBE performing Work on the Contract, an executed subcontract between
3 the DBE and the Contractor shall be submitted to the Engineer. The executed
4 subcontracts shall be submitted by email to the following email address

5 *** \$\$ Rose.Williams@lewiscountywa.gov \$\$ ***

6
7 The prime contractor shall notify the Engineer in writing within five calendar days of
8 subcontract submittal.

9
10
11 **Reporting**

12 The Contractor and all subcontractors/suppliers/service providers that utilize DBEs
13 to perform work on the project, shall maintain appropriate records that will enable the
14 Engineer to verify DBE participation throughout the life of the project.

15
16 Refer to Section 1-08.1 for additional reporting requirements associated with this
17 contract.

18
19 **Changes in COA Work Committed to UDBE**

20 The Contractor shall utilize the COA UDBEs to perform the work and supply the materials
21 for which each is committed unless approved by the Engineer. The Contractor shall not
22 be entitled to any payment for work or material completed by the Contractor or
23 subcontractors that was committed to be completed by the COA UDBEs.

24
25 **Owner Initiated Changes**

26 Where the Engineer makes changes that result in changes to Work that was
27 committed to a COA UDBE. The Contractor may be directed to substitute for the
28 Work in such instances.

29
30 **Contractor Initiated Changes**

31 The Contractor cannot reduce the amount of work committed to a COA UDBE without
32 good cause. Reducing UDBE Commitment is viewed as partial UDBE termination,
33 and therefore subject to the termination procedures below.

34
35 **Original Quantity Underruns**

36 In the event that Work committed to a UDBE firm as part of the COA underruns the
37 original planned quantities the Contractor may be required to substitute other
38 remaining Work to another UDBE.

39
40 **Contractor Proposed DBE Substitutions**

41 Requests to substitute a COA UDBE must be for good cause (see UDBE termination
42 process below), and requires prior written approval of the Engineer. After receiving
43 a termination with good cause approval, the Contractor may only replace a UDBE
44 with another certified UDBE. When any changes between Contract Award and
45 Execution result in a substitution of COA UDBE, the substitute UDBE shall be
46 certified prior to the bid opening on the Contract.

47
48 **UDBE Termination**

49 Termination of a COA UDBE (or an approved substitute UDBE) is only allowed in
50 whole or in part with prior written approval of the Engineer. If the Contractor
51 terminates a COA UDBE without the written approval of the Engineer, the Contractor

1 shall not be entitled to credit towards the UDBE COA Goal for any payment for work
2 or material performed/supplied by the COA UDBE. In addition, sanctions may apply
3 as described elsewhere in this specification.
4

5 The Contractor must have good cause to terminate a COA UDBE.
6

7 Good cause typically includes situations where the UDBE Subcontractor is unable or
8 unwilling to perform the work of its subcontract. Good cause may exist if:
9

- 10 • The UDBE fails or refuses to execute a written contract.
- 11
- 12 • The UDBE fails or refuses to perform the Work of its subcontract in a way
13 consistent with normal industry standards.
- 14
- 15 • The UDBE fails or refuses to meet the Contractor's reasonable
16 nondiscriminatory bond requirements.
- 17
- 18 • The UDBE becomes bankrupt, insolvent, or exhibits credit unworthiness.
- 19
- 20 • The UDBE is ineligible to work on public works projects because of
21 suspension and debarment proceedings pursuant to federal law or
22 applicable State law.
- 23
- 24 • The UDBE voluntarily withdraws from the project, and provides written
25 notice of its withdrawal.
- 26
- 27 • The UDBE's work is deemed unsatisfactory by the Engineer and not in
28 compliance with the Contract.
- 29
- 30 • The UDBE's owner dies or becomes disabled with the result that the UDBE
31 is unable to complete its Work on the Contract.
- 32

33 Good cause does not exist if:
34

- 35 • The Contractor seeks to terminate a COA UDBE so that the Contractor can
36 self-perform the Work.
- 37
- 38 • The Contractor seeks to terminate a COA UDBE so the Contractor can
39 substitute another DBE contractor or non-DBE contractor after Contract
40 Award.
- 41
- 42 • The failure or refusal of the COA UDBE to perform its Work on the
43 subcontract results from the bad faith or discriminatory action of the
44 Contractor (e.g., the failure of the Contractor to make timely payments or
45 the unnecessary placing of obstacles in the path of the UDBE's Work).
- 46

47 Prior to requesting termination, the Contractor shall give notice in writing to the UDBE
48 with a copy to the Engineer of its intent to request to terminate UDBE Work and the
49 reasons for doing so. The UDBE shall have five (5) days to respond to the
50 Contractor's notice. The UDBE's response shall either support the termination or

1 advise the Engineer and the Contractor of the reasons it objects to the termination of
2 its subcontract.

3
4 When a COA UDBE is terminated, or fails to complete its work on the Contract for
5 any reason, the Contractor shall substitute with another UDBE or provide
6 documentation of GFE. A plan to achieve the COA UDBE Commitment shall be
7 submitted to the Engineer within 2 days of the approval of termination or the Contract
8 shall be suspended until such time the substitution plan is submitted.

9
10 **Decertification**

11 When a DBE is “decertified” from the DBE program during the course of the Contract,
12 the participation of that DBE shall continue to count as DBE participation as long as
13 the subcontract with the DBE was executed prior to the decertification notice. The
14 Contractor is obligated to substitute when a DBE does not have an executed
15 subcontract agreement at the time of decertification.

16
17 **Consequences of Non-Compliance**

18 **Breach of Contract**

19 Each contract with a Contractor (and each subcontract the Contractor signs with a
20 Subcontractor) must include the following assurance clause:

21
22 The Contractor, subrecipient, or Subcontractor shall not discriminate on the basis of
23 race, color, national origin, or sex in the performance of this contract. The Contractor
24 shall carry out applicable requirements of 49 CFR Part 26 in the award and
25 administration of DOT-assisted contracts. Failure by the Contractor to carry out these
26 requirements is a material breach of this Contract, which may result in the termination
27 of this Contract or such other remedy as the recipient deems appropriate, which may
28 include, but is not limited to:

- 29
30 (1) Withholding monthly progress payments;
31
32 (2) Assessing sanctions;
33
34 (3) Liquidated damages; and/or
35
36 (4) Disqualifying the Contractor from future bidding as non-responsible.

37
38 **Notice**

39 If the Contractor or any Subcontractor, Consultant, Regular Dealer, or service
40 provider is deemed to be in non-compliance, the Contractor will be informed in
41 writing, by certified mail by the Engineer that sanctions will be imposed for failure to
42 meet the UDBE COA Commitment and/or submit documentation of good faith efforts.
43 The notice will state the specific sanctions to be imposed which may include
44 impacting a Contractor or other entity’s ability to participate in future contracts.

45
46 **Sanctions**

47 If it is determined that the Contractor’s failure to meet all or part of the UDBE COA
48 Commitment is due to the Contractor’s inadequate good faith efforts throughout the life of
49 the Contract, including failure to submit timely, required Good Faith Efforts information
50 and documentation, the Contractor may be required to pay DBE penalty equal to the

1 amount of the unmet Commitment, in addition to the sanctions outlined in Section 1-
2 07.11(5).

3
4 **Payment**

5 Compensation for all costs involved with complying with the conditions of this Specification
6 and any other associated DBE requirements is included in payment for the associated
7 Contract items of Work, except otherwise provided in the Specifications.

8
9 **1-07.12 Federal Agency Inspection**

10 Section 1-07.12 is supplemented with the following:

11
12 (January 25, 2016)

13 **Required Federal Aid Provisions**

14 The Required Contract Provisions Federal Aid Construction Contracts (FHWA 1273) Revised
15 May 1, 2012 and the amendments thereto supersede any conflicting provisions of the Standard
16 Specifications and are made a part of this Contract; provided, however, that if any of the
17 provisions of FHWA 1273, as amended, are less restrictive than Washington State Law, then
18 the Washington State Law shall prevail.

19
20 The provisions of FHWA 1273, as amended, included in this Contract require that the
21 Contractor insert the FHWA 1273 and amendments thereto in each Subcontract, together with
22 the wage rates which are part of the FHWA 1273, as amended. Also, a clause shall be
23 included in each Subcontract requiring the Subcontractors to insert the FHWA 1273 and
24 amendments thereto in any lower tier Subcontracts, together with the wage rates. The
25 Contractor shall also ensure that this section, REQUIRED FEDERAL AID PROVISIONS, is
26 inserted in each Subcontract for Subcontractors and lower tier Subcontractors. For this
27 purpose, upon request to the Project Engineer, the Contractor will be provided with extra
28 copies of the FHWA 1273, and amendments thereto, the applicable wage rates, and this
29 Special Provision.

30
31 **1-07.17 Utilities And Similar Facilities**

32 (April 2, 2007)

33 Section 1-07.17 is supplemented with the following:

34
35 Locations and dimensions shown in the Plan for existing facilities are in accordance with
36 available information obtained without uncovering, measuring, or other verification.

37
38 The following addresses and telephone numbers of utility companies known or suspected of
39 having facilities within the project limits are supplied for the Contractor's convenience:

40
41 Lewis County P.U.D. No. 1
42 321 NW Pacific Avenue
43 Chehalis, WA 98532
44 Telephone (360) 748-9261

45 Centurylink
46 Dioni Cariage
47 411 S. Kaiser Rd, Olympia, WA
48 Dioni.Cariaga@centurylink.com
49 (206) 733-5261 cell: (360)250-2596

46 Comcast
47 440 Yauger Way SW
48 Olympia, WA. 98570
49 Telephone (360) 357-1230

1 The Contractor shall call the Underground locate service (800-424-5555) two to ten days prior to
2 construction at each project site. The Contractor shall notify the Utility Owner of any utilities that
3 are within two feet of the planned construction. The above list of Utility Owners may not be
4 complete. As per RCW 19.122 it shall be the Contractors responsibility to contact the owners of
5 utilities known or suspected of having services close to the project site.

6
7 **1-07.18 Public Liability and Property Damage Insurance**

8
9 Delete this section in its entirety, and replace it with the following:

10
11 **1-07.18 Insurance**

12 *(January 4, 2016 APWA GSP)*

13
14 **1-07.18(1) General Requirements**

- 15 A. The Contractor shall procure and maintain the insurance described in all subsections of
16 section 1-07.18 of these Special Provisions, from insurers with a current A. M. Best rating of
17 not less than A-: VII and licensed to do business in the State of Washington. The Contracting
18 Agency reserves the right to approve or reject the insurance provided, based on the insurer's
19 financial condition.
- 20
21 B. The Contractor shall keep this insurance in force without interruption from the commencement
22 of the Contractor's Work through the term of the Contract and for thirty (30) days after the
23 Physical Completion date, unless otherwise indicated below.
- 24
25 C. If any insurance policy is written on a claims made form, its retroactive date, and that of all
26 subsequent renewals, shall be no later than the effective date of this Contract. The policy
27 shall state that coverage is claims made, and state the retroactive date. Claims-made form
28 coverage shall be maintained by the Contractor for a minimum of 36 months following the
29 Completion Date or earlier termination of this Contract, and the Contractor shall annually
30 provide the Contracting Agency with proof of renewal. If renewal of the claims made form of
31 coverage becomes unavailable, or economically prohibitive, the Contractor shall purchase an
32 extended reporting period ("tail") or execute another form of guarantee acceptable to the
33 Contracting Agency to assure financial responsibility for liability for services performed.
- 34
35 D. The Contractor's Automobile Liability, Commercial General Liability and Excess or Umbrella
36 Liability insurance policies shall be primary and non-contributory insurance as respects the
37 Contracting Agency's insurance, self-insurance, or self-insured pool coverage. Any insurance,
38 self-insurance, or self-insured pool coverage maintained by the Contracting Agency shall be
39 excess of the Contractor's insurance and shall not contribute with it. ~~DD~~
- 40
41 E. The Contractor shall provide the Contracting Agency and all additional insureds with written
42 notice of any policy cancellation, within two business days of their receipt of such notice.
- 43
44 G. The Contractor shall not begin work under the Contract until the required insurance has been
45 obtained and approved by the Contracting Agency
- 46
47 H. Failure on the part of the Contractor to maintain the insurance as required shall constitute a
48 material breach of contract, upon which the Contracting Agency may, after giving five
49 business days' notice to the Contractor to correct the breach, immediately terminate the
50 Contract or, at its discretion, procure or renew such insurance and pay any and all premiums
51 in connection therewith, with any sums so expended to be repaid to the Contracting Agency

1 on demand, or at the sole discretion of the Contracting Agency, offset against funds due the
2 Contractor from the Contracting Agency.

- 3
4 I. All costs for insurance shall be incidental to and included in the unit or lump sum prices of the
5 Contract and no additional payment will be made.

6
7 **1-07.18(2) Additional Insured**

8 All insurance policies, with the exception of Workers Compensation, and of Professional Liability
9 and Builder's Risk (if required by this Contract) shall name the following listed entities as
10 additional insured(s) using the forms or endorsements required herein:

- 11 ■ the Contracting Agency and its officers, elected officials, employees, agents, and volunteers

12
13 The above-listed entities shall be additional insured(s) for the full available limits of liability
14 maintained by the Contractor, irrespective of whether such limits maintained by the Contractor
15 are greater than those required by this Contract, and irrespective of whether the Certificate of
16 Insurance provided by the Contractor pursuant to 1-07.18(4) describes limits lower than those
17 maintained by the Contractor.

18
19 For Commercial General Liability insurance coverage, the required additional insured
20 endorsements shall be at least as broad as ISO forms CG 20 10 10 01 for ongoing operations
21 and CG 20 37 10 01 for completed operations.

22
23 **1-07.18(3) Subcontractors**

24 The Contractor shall cause each Subcontractor of every tier to provide insurance coverage that
25 complies with all applicable requirements of the Contractor-provided insurance as set forth herein,
26 except the Contractor shall have sole responsibility for determining the limits of coverage required
27 to be obtained by Subcontractors.

28
29 The Contractor shall ensure that all Subcontractors of every tier add all entities listed in
30 1-07.18(2) as additional insureds, and provide proof of such on the policies as required by that
31 section as detailed in 1-07.18(2) using an endorsement as least as broad as ISO CG 20 10 10
32 01 for ongoing operations and CG 20 37 10 01 for completed operations.

33
34 Upon request by the Contracting Agency, the Contractor shall forward to the Contracting Agency
35 evidence of insurance and copies of the additional insured endorsements of each Subcontractor
36 of every tier as required in 1-07.18(4) Verification of Coverage.

37
38 **1-07.18(4) Verification of Coverage**

39 The Contractor shall deliver to the Contracting Agency a Certificate(s) of Insurance and
40 endorsements for each policy of insurance meeting the requirements set forth herein when the
41 Contractor delivers the signed Contract for the work. Failure of Contracting Agency to demand
42 such verification of coverage with these insurance requirements or failure of Contracting Agency
43 to identify a deficiency from the insurance documentation provided shall not be construed as a
44 waiver of Contractor's obligation to maintain such insurance.

45
46 Verification of coverage shall include:

- 47 1. An ACORD certificate or a form determined by the Contracting Agency to be equivalent.
48 2. Copies of all endorsements naming Contracting Agency and all other entities listed in
49 1-07.18(2) as additional insured(s), showing the policy number. The Contractor may submit a

1 copy of any blanket additional insured clause from its policies instead of a separate
2 endorsement.

- 3 3. Any other amendatory endorsements to show the coverage required herein.
4 4. A notation of coverage enhancements on the Certificate of Insurance shall not satisfy these
5 requirements – actual endorsements must be submitted.
6

7 Upon request by the Contracting Agency, the Contractor shall forward to the Contracting Agency
8 a full and certified copy of the insurance policy(s). If Builders Risk insurance is required on this
9 Project, a full and certified copy of that policy is required when the Contractor delivers the signed
10 Contract for the work.

11
12 **1-07.18(5) Coverages and Limits**

13 The insurance shall provide the minimum coverages and limits set forth below. Contractor's
14 maintenance of insurance, its scope of coverage, and limits as required herein shall not be
15 construed to limit the liability of the Contractor to the coverage provided by such insurance, or
16 otherwise limit the Contracting Agency's recourse to any remedy available at law or in equity.
17

18 All deductibles and self-insured retentions must be disclosed and are subject to approval by the
19 Contracting Agency. The cost of any claim payments falling within the deductible or self-insured
20 retention shall be the responsibility of the Contractor. In the event an additional insured incurs a
21 liability subject to any policy's deductibles or self-insured retention, said deductibles or self-
22 insured retention shall be the responsibility of the Contractor.
23

24 **1-07.18(5)A Commercial General Liability**

25 Commercial General Liability insurance shall be written on coverage forms at least as broad as
26 ISO occurrence form CG 00 01, including but not limited to liability arising from premises,
27 operations, stop gap liability, independent contractors, products-completed operations, personal
28 and advertising injury, and liability assumed under an insured contract. There shall be no
29 exclusion for liability arising from explosion, collapse or underground property damage.
30

31 The Commercial General Liability insurance shall be endorsed to provide a per project general
32 aggregate limit, using ISO form CG 25 03 05 09 or an equivalent endorsement.
33

34 Contractor shall maintain Commercial General Liability Insurance arising out of the Contractor's
35 completed operations for at least three years following Substantial Completion of the Work.
36

37 Such policy must provide the following minimum limits:

38 \$1,000,000	Each Occurrence
39 \$2,000,000	General Aggregate
40 \$2,000,000	Products & Completed Operations Aggregate
41 \$1,000,000	Personal & Advertising Injury each offence
42 \$1,000,000	Stop Gap / Employers' Liability each accident

43
44 **1-07.18(5)B Automobile Liability**

45 Automobile Liability shall cover owned, non-owned, hired, and leased vehicles; and shall be
46 written on a coverage form at least as broad as ISO form CA 00 01. If the work involves the
47 transport of pollutants, the automobile liability policy shall include MCS 90 and CA 99 48
48 endorsements.
49

Such policy must provide the following minimum limit:
\$1,000,000 Combined single limit each accident

1-07.18(5)C Workers' Compensation

The Contractor shall comply with Workers' Compensation coverage as required by the Industrial Insurance laws of the State of Washington.

1-07.23 Public Convenience and Safety

1-07.23(1) Construction Under Traffic

Section 1-07.23(1) is supplemented with the following:

(February 3, 2020)

Work Zone Clear Zone

The Work Zone Clear Zone (WZCZ) applies during working and nonworking hours. The WZCZ applies only to temporary roadside objects introduced by the Contractor's operations and does not apply to preexisting conditions or permanent Work. Those work operations that are actively in progress shall be in accordance with adopted and approved Traffic Control Plans, and other contract requirements.

During nonworking hours equipment or materials shall not be within the WZCZ unless they are protected by permanent guardrail or temporary concrete barrier. The use of temporary concrete barrier shall be permitted only if the Engineer approves the installation and location.

During actual hours of work, unless protected as described above, only materials absolutely necessary to construction shall be within the WZCZ and only construction vehicles absolutely necessary to construction shall be allowed within the WZCZ or allowed to stop or park on the shoulder of the roadway.

The Contractor's nonessential vehicles and employees private vehicles shall not be permitted to park within the WZCZ at any time unless protected as described above.

Deviation from the above requirements shall not occur unless the Contractor has requested the deviation in writing and the Engineer has provided written approval.

Minimum WZCZ distances are measured from the edge of traveled way and will be determined as follows:

Regulatory Posted Speed	Distance From Traveled Way (Feet)
35 mph or less	10
40 mph	15
45 to 50 mph	20
55 to 60 mph	30
65 mph or greater	35

Minimum Work Zone Clear Zone Distance

1 **1-08, Prosecution and Progress**

2
3 **1-08.0 Preliminary Matters**

4 (May 25, 2006 APWA GSP)

5
6 Add the following new section:

7
8 **1-08.0(1) Preconstruction Conference**

9 (October 10, 2008 APWA GSP)

10
11 Prior to the Contractor beginning the work, a preconstruction conference will be held between
12 the Contractor, the Engineer and such other interested parties as may be invited. The
13 purpose of the preconstruction conference will be:

- 14 1. To review the initial progress schedule;
- 15 2. To establish a working understanding among the various parties associated or affected by
16 the work;
- 17 3. To establish and review procedures for progress payment, notifications, approvals,
18 submittals, etc.;
- 19 4. To establish normal working hours for the work;
- 20 5. To review safety standards and traffic control; and
- 21 6. To discuss such other related items as may be pertinent to the work.

22
23 The Contractor shall prepare and submit at the preconstruction conference the following:

- 24 1. A breakdown of all lump sum items;
- 25 2. A preliminary schedule of working drawing submittals; and
- 26 3. A list of material sources for approval if applicable.

27
28 Add the following new section:

29
30 **1-08.0(2) Hours of Work**

31 (December 8, 2014 APWA GSP)

32
33 Except in the case of emergency or unless otherwise approved by the Engineer, the normal
34 working hours for the Contract shall be any consecutive 8-hour period between 7:00 a.m. and
35 6:00 p.m. Monday through Friday, exclusive of a lunch break. If the Contractor desires
36 different than the normal working hours stated above, the request must be submitted in
37 writing prior to the preconstruction conference, subject to the provisions below. The working
38 hours for the Contract shall be established at or prior to the preconstruction conference.

39
40 All working hours and days are also subject to local permit and ordinance conditions (such as
41 noise ordinances).

42
43 If the Contractor wishes to deviate from the established working hours, the Contractor shall
44 submit a written request to the Engineer for consideration. This request shall state what hours
45 are being requested, and why. Requests shall be submitted for review no later than 3 working
46 days prior to the day(s) the Contractor is requesting to change the hours.

47
48 If the Contracting Agency approves such a deviation, such approval may be subject to certain
49 other conditions, which will be detailed in writing. For example:

1. On non-Federal aid projects, requiring the Contractor to reimburse the Contracting Agency for the costs in excess of straight-time costs for Contracting Agency representatives who worked during such times. (The Engineer may require designated representatives to be present during the work. Representatives who may be deemed necessary by the Engineer include, but are not limited to: survey crews; personnel from the Contracting Agency’s material testing lab; inspectors; and other Contracting Agency employees or third party consultants when, in the opinion of the Engineer, such work necessitates their presence.)
2. Considering the work performed on Saturdays, Sundays, and holidays as working days with regard to the contract time.
3. Considering multiple work shifts as multiple working days with respect to contract time even though the multiple shifts occur in a single 24-hour period.
4. If a 4-10 work schedule is requested and approved the non working day for the week will be charged as a working day.
5. If Davis Bacon wage rates apply to this Contract, all requirements must be met and recorded properly on certified payroll

1-08.1 Subcontracting
(December 19, 2019 APWA GSP, Option A)

Prior to any subcontractor or lower tier subcontractor beginning work, the Contractor shall submit to the Engineer a certification (WSDOT Form 420-004) that a written agreement between the Contractor and the subcontractor or between the subcontractor and any lower tier subcontractor has been executed. This certification shall also guarantee that these subcontract agreements include all the documents required by the Special Provision Federal Agency Inspection.

A Subcontractor or lower tier Subcontractor will not be permitted to perform any work under the contract until the following documents have been completed and submitted to the Engineer:

1. Request to Sublet Work (WSDOT Form 421-012), and
2. Contractor and Subcontractor or Lower Tier Subcontractor Certification for Federal-aid Projects (WSDOT Form 420-004).

The Contractor shall submit to the Engineer a completed Monthly Retainage Report (WSDOT Form 272-065) within 15 calendar days after receipt of every monthly progress payment until every Subcontractor and lower tier Subcontractor’s retainage has been released.

The ninth paragraph, beginning with “On all projects, ...” is revised to read:

The Contractor shall certify to the actual amount received from the Contracting Agency and amounts paid to all firms that were used as Subcontractors, lower tier subcontractors, manufacturers, regular dealers, or service providers on the Contract. This includes all Disadvantaged, Minority, Small, Veteran or Women’s Business Enterprise firms. This Certification shall be submitted to the Engineer on a monthly basis each month between Execution of the Contract and Physical Completion of the Contract using the application available at: <https://wsdot.diversitycompliance.com>. A monthly report shall be submitted for every month between Execution of the Contract and Physical Completion regardless of whether payments were made or work occurred.

1 **1-08.3(2)A Type A Progress Schedule**
2 *(March 13, 2012 APWA GSP)*

3
4 Revise this section to read:

5
6 The Contractor shall submit ~~\$\$ 3 \$\$~~ copies of a Type A Progress Schedule no later than one
7 week before the preconstruction conference, or some other mutually agreed upon submittal
8 time. The schedule may be a critical path method (CPM) schedule, bar chart, or other
9 standard schedule format. Regardless of which format used, the schedule shall identify the
10 critical path. The Engineer will evaluate the Type A Progress Schedule and approve or return
11 the schedule for corrections within 15 calendar days of receiving the submittal.

12
13 **Contractor's Weekly Activities**
14 *(*****)*

15
16 The Contractor shall submit a weekly schedule to the Engineer. The schedule shall indicate
17 the Contractor's proposed activities for the forthcoming week along with the hours of work.
18 This will permit the Engineer to more effectively provide the contract engineering and
19 inspection for the Contractor's operations.

20
21 The written weekly activity schedule shall be submitted to the Engineer or a designated
22 assistant before the end of the last shift on the next to the last working day of the week
23 preceding the indicated activities, or other mutually agreeable time.

24
25 If the Contractor proceeds with work not indicated on the weekly activity schedule, or in a
26 sequence differing from that which has been shown on the schedule, the Engineer may require
27 the Contractor to delay unscheduled activities until they are included on a subsequent weekly
28 activity schedule.

29
30 Separately, and in addition to the weekly schedule, the Contractor shall submit weekly a
31 summary of project activities to the Engineer. The summary of activities shall include a report
32 of the nature and progress of each of the major activities that were advanced on the project
33 within the previous week.

34
35 It shall be sufficiently detailed that a composite history of the project develops. The locations
36 and approximate quantity guardrail and traffic control work shall be reported. Unusual activity,
37 and conditions or events that may affect the course of the project shall also be reported.

38
39 **1-08.4 Prosecution of Work**

40
41 Delete this section and replace it with the following:

42
43 **1-08.4 Notice to Proceed and Prosecution of Work**
44 *(July 23, 2015 APWA GSP)*

45
46 Notice to Proceed will be given after the contract has been executed and the contract bond
47 and evidence of insurance have been approved and filed by the Contracting Agency. The
48 Contractor shall not commence with the work until the Notice to Proceed has been given by
49 the Engineer. The Contractor shall commence construction activities on the project site within
50 ten days of the Notice to Proceed Date, unless otherwise approved in writing. The Contractor
51 shall diligently pursue the work to the physical completion date within the time specified in the

1 contract. Voluntary shutdown or slowing of operations by the Contractor shall not relieve the
2 Contractor of the responsibility to complete the work within the time(s) specified in the
3 contract.
4

5 When shown in the Plans, the first order of work shall be the installation of high visibility
6 fencing to delineate all areas for protection or restoration, as described in the Contract.
7 Installation of high visibility fencing adjacent to the roadway shall occur after the placement of
8 all necessary signs and traffic control devices in accordance with 1-10.1(2). Upon
9 construction of the fencing, the Contractor shall request the Engineer to inspect the fence. No
10 other work shall be performed on the site until the Contracting Agency has accepted the
11 installation of high visibility fencing, as described in the Contract.

12 **1-08.5 Time for Completion**

13 *(November 30, 2018 APWA GSP, Option B)*

14 Revise the third and fourth paragraphs to read:

15
16
17 Contract time shall begin on the first working day following the ~~the~~ 14th calendar day after
18 the Notice to Proceed date. If the Contractor starts work on the project at an earlier date, then
19 contract time shall begin on the first working day when onsite work begins.
20

21
22 Each working day shall be charged to the contract as it occurs, until the contract work is
23 physically complete. If substantial completion has been granted and all the authorized
24 working days have been used, charging of working days will cease. Each week the Engineer
25 will provide the Contractor a statement that shows the number of working days: (1) charged to
26 the contract the week before; (2) specified for the physical completion of the contract; and (3)
27 remaining for the physical completion of the contract. The statement will also show the
28 nonworking days and any partial or whole day the Engineer declares as unworkable. Within
29 10 calendar days after the date of each statement, the Contractor shall file a written protest of
30 any alleged discrepancies in it. To be considered by the Engineer, the protest shall be in
31 sufficient detail to enable the Engineer to ascertain the basis and amount of time disputed. By
32 not filing such detailed protest in that period, the Contractor shall be deemed as having
33 accepted the statement as correct. If the Contractor is approved to work 10 hours a day and 4
34 days a week (a 4-10 schedule) and the fifth day of the week in which a 4-10 shift is worked
35 would ordinarily be charged as a working day, then the fifth day of that week will be charged
36 as a working day whether or not the Contractor works on that day.
37

38 Revise the sixth paragraph to read:

39
40 The Engineer will give the Contractor written notice of the completion date of the contract
41 after all the Contractor's obligations under the contract have been performed by the
42 Contractor. The following events must occur before the Completion Date can be established:

- 43 1. The physical work on the project must be complete; and
- 44 2. The Contractor must furnish all documentation required by the contract and required by
45 law, to allow the Contracting Agency to process final acceptance of the contract. The
46 following documents must be received by the Project Engineer prior to establishing a
47 completion date:
 - 48 a. Certified Payrolls (per Section 1-07.9(5)).
 - 49 b. Material Acceptance Certification Documents

- c. Monthly Reports of Amounts Credited as DBE Participation, as required by the Contract Provisions.
- d. Final Contract Voucher Certification
- e. Copies of the approved "Affidavit of Prevailing Wages Paid" for the Contractor and all Subcontractors
- f. A copy of the Notice of Termination sent to the Washington State Department of Ecology (Ecology); the elapse of 30 calendar days from the date of receipt of the Notice of Termination by Ecology; and no rejection of the Notice of Termination by Ecology. This requirement will not apply if the Construction Stormwater General Permit is transferred back to the Contracting Agency in accordance with Section 8-01.3(16).
- g. Property owner releases per Section 1-07.24

(*****)

This project shall be physically completed within *** 65 *** working days.

1-08.9 Liquidated Damages
(August 14, 2013 APWA GSP)

Revise the fourth paragraph to read:

When the Contract Work has progressed to Substantial Completion as defined in the Contract, the Engineer may determine that the work is Substantially Complete. The Engineer will notify the Contractor in writing of the Substantial Completion Date. For overruns in Contract time occurring after the date so established, the formula for liquidated damages shown above will not apply. For overruns in Contract time occurring after the Substantial Completion Date, liquidated damages shall be assessed on the basis of direct engineering and related costs assignable to the project until the actual Physical Completion Date of all the Contract Work. The Contractor shall complete the remaining Work as promptly as possible. Upon request by the Project Engineer, the Contractor shall furnish a written schedule for completing the physical Work on the Contract.

1-09, MEASUREMENT AND PAYMENT

1-09.9 Payments
(March 13, 2012 APWA GSP)

Delete the first four paragraphs and replace them with the following:

The basis of payment will be the actual quantities of Work performed according to the Contract and as specified for payment.

The Contractor shall submit a breakdown of the cost of lump sum bid items at the Preconstruction Conference, to enable the Project Engineer to determine the Work performed on a monthly basis. A breakdown is not required for lump sum items that include a basis for incremental payments as part of the respective Specification. Absent a lump sum breakdown, the Project Engineer will make a determination based on information available. The Project Engineer's determination of the cost of work shall be final.

1 Progress payments for completed work and material on hand will be based upon progress
2 estimates prepared by the Engineer. A progress estimate cutoff date will be established at
3 the preconstruction conference.
4

5 The initial progress estimate will be made not later than 30 days after the Contractor
6 commences the work, and successive progress estimates will be made every month
7 thereafter until the Completion Date. Progress estimates made during progress of the work
8 are tentative, and made only for the purpose of determining progress payments. The
9 progress estimates are subject to change at any time prior to the calculation of the final
10 payment.
11

12 The value of the progress estimate will be the sum of the following:

- 13 1. Unit Price Items in the Bid Form — the approximate quantity of acceptable units of work
14 completed multiplied by the unit price.
- 15 2. Lump Sum Items in the Bid Form — based on the approved Contractor's lump sum
16 breakdown for that item, or absent such a breakdown, based on the Engineer's
17 determination.
- 18 3. Materials on Hand — 100 percent of invoiced cost of material delivered to Job site or
19 other storage area approved by the Engineer.
- 20 4. Change Orders — entitlement for approved extra cost or completed extra work as
21 determined by the Engineer.
22

23 Progress payments will be made in accordance with the progress estimate less:

- 24 1. Retainage per Section 1-09.9(1), on non FHWA-funded projects;
- 25 2. The amount of progress payments previously made; and
- 26 3. Funds withheld by the Contracting Agency for disbursement in accordance with the
27 Contract Documents.
28

29 Progress payments for work performed shall not be evidence of acceptable performance or
30 an admission by the Contracting Agency that any work has been satisfactorily completed.
31 The determination of payments under the contract will be final in accordance with Section
32 1-05.1.
33

34 **1-09.9(1) Retainage**

35 Section 1-09.9(1) content and title is deleted and replaced with the following:

36 **(June 27, 2011)**
37 **Vacant**
38

39 **1-09.11 Disputes and Claims**

40 **1-09.11(3) Time Limitation and Jurisdiction** 41 *(November 30, 2018 APWA GSP)* 42

43 Revise this section to read:
44

45 For the convenience of the parties to the Contract it is mutually agreed by the parties that any
46 claims or causes of action which the Contractor has against the Contracting Agency arising
47
48

1 from the Contract shall be brought within 180 calendar days from the date of final acceptance
2 (Section 1-05.12) of the Contract by the Contracting Agency; and it is further agreed that any
3 such claims or causes of action shall be brought only in the Superior Court of the county
4 where the Contracting Agency headquarters is located, provided that where an action is
5 asserted against a county, RCW 36.01.050 shall control venue and jurisdiction. The parties
6 understand and agree that the Contractor's failure to bring suit within the time period
7 provided, shall be a complete bar to any such claims or causes of action. It is further mutually
8 agreed by the parties that when any claims or causes of action which the Contractor asserts
9 against the Contracting Agency arising from the Contract are filed with the Contracting
10 Agency or initiated in court, the Contractor shall permit the Contracting Agency to have timely
11 access to any records deemed necessary by the Contracting Agency to assist in evaluating
12 the claims or action.

13 **1-09.13 Claims Resolution**

14 **1-09.13(3) Claims \$250,000 or Less** 15 *(October 1, 2005 APWA GSP)*

16 Delete this Section and replace it with the following:
17

18
19 The Contractor and the Contracting Agency mutually agree that those claims that total
20 \$250,000 or less, submitted in accordance with Section 1-09.11 and not resolved by
21 nonbinding ADR processes, shall be resolved through litigation unless the parties mutually
22 agree in writing to resolve the claim through binding arbitration.
23
24

25 **1-09.13(3)A Administration of Arbitration** 26 *(November 30, 2018 APWA GSP)*

27 Revise the third paragraph to read:
28

29
30 The Contracting Agency and the Contractor mutually agree to be bound by the decision of the
31 arbitrator, and judgment upon the award rendered by the arbitrator may be entered in the
32 Superior Court of the county in which the Contracting Agency's headquarters is located,
33 provided that where claims subject to arbitration are asserted against a county, RCW
34 36.01.050 shall control venue and jurisdiction of the Superior Court. The decision of the
35 arbitrator and the specific basis for the decision shall be in writing. The arbitrator shall use the
36 Contract as a basis for decisions.
37

38 **1-09.13(4) Claims in Excess of \$250,000**

39 Section 1-09.13(4) is hereby deleted and replaced with the following:
40

41 **CLAIMS RESOLUTION** 42 *(*****)*

43
44 Any dispute arising from the contract shall be processed in accordance with Section 1-04.5
45 and Sections 1-09.11 through 1-09.13(1) of the Standard Specifications. The provisions of
46 these sections must be complied with in full as a condition precedent to the Contractor's right
47 to seek claims resolution through arbitration or litigation. The Contractor may file with the
48 Engineer a request for binding arbitration; the Engineer's decision regarding that request
49 shall be final and unappealable. Nothing in this paragraph affects or tolls the limitations
50
51

1 period as set forth in Section 1-09.11(3) of the Standard Specifications. However, if the
2 Contractor files a lawsuit raising any claim(s) arising from the contract, the parties shall, if the
3 Engineer so directs, submit such claim(s) to binding arbitration, subject to the rights of any
4 party thereto to file with the Lewis County Superior Court motions to dismiss or for summary
5 judgment at any time. In any binding arbitration proceeding, the provisions of subparagraphs
6 (a) and (b) shall apply.

7
8 a) Unless the parties otherwise agree, all disputes subject to arbitration shall be
9 heard in a single arbitration hearing, and then only after completion of the
10 contract. The parties shall be bound by Ch. 7.04 RCW generally, and by the
11 arbitration rules hereafter stated, and shall, for purposes of administration of the
12 arbitration, comply where applicable with the 1994 Lewis County Superior Court
13 Mandatory Arbitration Rules (LMAR) sections 1.1(b), 1.3, 2.3, 3.1, 3.2(a) and (b),
14 5.1, 5.2 (except as referenced to MAR 5.2), 5.3, 6.1, 6.2 (including the referenced
15 MAR 6.2), and 8.6. There shall be one arbitrator, to be chosen by mutual
16 agreement of the parties from the list provided by the Lewis County Superior
17 Court Administrator. If the parties cannot agree on a person to serve as
18 arbitrator, the matter shall be submitted for appointment of an arbitrator under
19 LMAR 2.3. The arbitrator shall determine the scope and extent of discovery,
20 except that the Contractor shall provide and update the information required by
21 Section 1-09.11(2) of the Standard Specifications. Additionally, each party shall
22 file a statement of proof with the other party and the arbitrator at least 20 calendar
23 days before the scheduled arbitration hearing. The statement of proof shall
24 include:

- 25
26 1. The name, business address and contact telephone number of
27 each witness who will testify at the hearing.
- 28
29 2. For each witness to be offered as an expert, a statement of the
30 subject matter and a statement of the facts, resource materials (not
31 protected by privilege) and learned treatises upon which the expert
32 is expected to testify and render an opinion(s), synopsis of the basis
33 for such opinion(s), and a resume of the expert detailing his/her
34 qualifications as an expert and pursuant to rendering such
35 opinion(s). A list of documents and other exhibits the party intends
36 to offer in evidence at the arbitration hearing. Either party may
37 request a copy of any document listed, and a copy or description of
38 any other exhibit listed. The party receiving the request shall
39 provide the copies or description within five (5) calendar days. The
40 parties or arbitrator may subpoena parties in accordance with the
41 Superior Court Mandatory Arbitration Rules (MAR) of Washington,
42 Rule 4.3, and witness fees and costs shall be provided for under
43 Rule 6.4, thereof. The arbitrator may permit a party to call a witness
44 or offer a document or other exhibit not included in the statement of
45 proof only upon a showing of good cause.

46
47 b) The arbitration hearing shall be conducted at a location within Lewis County,
48 Washington. The extent of application of the Washington Rules of Evidence shall
49 be determined in the exercise of sound discretion of the arbitrator, except that
50 such Rules should be liberally construed in order to promote justice. The parties
51 should stipulate to the admission of evidence when there is no genuine issue as

1 to its relevance or authenticity. The decision of the arbitrator and the specific
2 grounds for the decision shall be in writing. The arbitrator shall use the contract
3 as a basis for its decisions. The County and the Contractor agree to be bound
4 by the decision of the arbitrator, subject to such remedies as are provided in Ch.
5 7.04 RCW. Judgment upon the award rendered by the arbitrator shall be entered
6 as judgment before the presiding judge of the Superior Court for Lewis County.
7 Each party shall bear its own costs in connection with the arbitration. Each party
8 shall pay one-half of the arbitrator's fees and expenses.
9

10 **1-10, TEMPORARY TRAFFIC CONTROL**

11 **1-10.2 Traffic Control Management**

12 **1-10.2(1) General**

13 Section 1-10.2(1) is supplemented with the following:
14

15 (January 3, 2017)

16 Only training with WSDOT TCS card and WSDOT training curriculum is recognized in the
17 State of Washington. The Traffic Control Supervisor shall be certified by one of the
18 following:
19

20
21 The Northwest Laborers-Employers Training Trust
22 27055 Ohio Ave.
23 Kingston, WA 98346
24 (360) 297-3035
25

26
27 Evergreen Safety Council
28 12545 135th Ave. NE
29 Kirkland, WA 98034-8709
30 1-800-521-0778
31

32 The American Traffic Safety Services Association
33 15 Riverside Parkway, Suite 100
34 Fredericksburg, Virginia 22406-1022
35 Training Dept. Toll Free (877) 642-4637
36 Phone: (540) 368-1701
37

38 **1-10.2(2) Traffic Control Plans**

39 **(*****)**

40 Section 1-10.2(2) is supplemented with the following:
41

42 The Contracting Agency has attached a Temporary Traffic Control Plan in Appendix F for
43 temporary traffic control use on this project. All signs required for this project (as shown on
44 the Traffic Control Plan) shall be the Contractors responsibility to furnish, erect, and maintain.
45 The Contractor shall adopt the Traffic Control Plan in writing to the Engineer or furnish a new
46 plan.
47

48 If determined by the Engineer that additional signing is needed it shall be the Contractors
49 responsibility to furnish, erect, and maintain these additional signs. **The Contractor shall**
50 **notify the Contracting Agency 20 working days prior to closure for public notice.**
51

1 All Class A signs shall be paid for as "Construction Signs Class A" per square foot. All other
2 traffic control items shall be included in the "Project Temporary Traffic Control" per lump sum,
3 including Type 3 Barricade (including attached signs), labor, and maintaining detour.

4
5 If determined by the Engineer that additional signing (not shown on the Temporary Traffic
6 Control Plan) is needed, it shall be the Contractors responsibility to furnish, erect, and maintain
7 these additional signs at no cost to the Contracting Agency.

8 9 **1-10.2(3) Conformance to Established Standards**

10 (*****)

11 Section 1-10.2(3) is supplemented with the following:

12
13 The latest revision of the WSDOT Manual M54-44 "Work Zone Traffic Control Guidelines"
14 (WZTCG) is hereby made a part of this contract by reference as if contained fully herein.

15 16 **1-10.4 Measurement**

17 18 **1-10.4(1) Lump Sum Bid for Project (No Unit Items)**

19 Section 1-10.4(1) is supplemented with the following:

20
21 (August 2, 2004)

22 The proposal contains the item "Project Temporary Traffic Control," lump sum. The
23 provisions of Section 1-10.4(1) shall apply.

24 25 ***Reinstating Unit Items With Lump Sum Traffic Control***

26 Section 1-10.4(3) is supplemented with the following:

27
28 (August 2, 2004)

29 The bid proposal contains the item "Project Temporary Traffic Control," lump sum and
30 the additional temporary traffic control items listed below. The provisions of Section 1-
31 10.4(1), Section 1-10.4(3), and Section 1-10.5(3) shall apply.

32
33 *** "Construction Signs Class A", per square foot. ***

34 35 **EXISTING SIGNS**

36
37 (*****)

38 During the life of the contract, the Contractor shall be responsible for all existing signs damaged or
39 removed by construction operations.

40
41 County Road name signs and Private Road name signs shall be temporarily relocated to portable
42 sign stands for convenience of construction subject to the approval of the Engineer. The signs
43 shall be located at or as near as practical to their original locations and shall have a minimum
44 vertical clearance above the pavement in accordance with the Manual on Uniform Traffic Control
45 Devices. Upon completion of construction in the area immediately surrounding the permanent sign
46 location, the Contractor shall reinstall the sign and supports in their permanent locations.

47
48 Signs damaged or removed shall be replaced by the Contractor at no cost to the County.

1 **DIVISION 2 EARTHWORK**

2
3 **2-02, REMOVAL OF STRUCTURES AND OBSTRUCTIONS**

4
5 **2-02.3 Construction Requirements**

6
7 **2-02.3(2) Construction Requirements**

8 Section 2-02.3(2) is supplemented with the following:

9 (June 26, 2000)

10 The Contractor shall remove existing Bridge *** Townsend Bridge #223 *** after routing
11 traffic onto *** No Detour Provided ***.
12
13

14 **2-07, WATERING**

15
16 **2-07.1 Description**

17 (*****)

18 Section 2-07.1 is supplemented with the following:

19 All water shall be incidental to the various bid items of work involved including watering.
20
21

22 **2-09, STRUCTURE EXCAVATION**

23
24 **2-09.1 Description**

25 (*****)

26 Section 2-09.1 is supplemented with the following:

27
28 **Temporary Stream Diversion for Structure & Channel Excavation**

29 Temporary Stream Diversion for Structure & Channel Excavation work shall consist of installation
30 and maintenance of stream diversion/bypass for the creek during all in-water construction.
31 Temporary Stream Diversion for Structure Excavation shall be conducted in a manner that does
32 not violate State Water Quality Standards. All work in and adjacent to the stream shall be
33 accomplished in strict accordance with the requirements of the WDFW HPA. This work also
34 consists of adjustments to the location of the dewatering systems as deemed necessary by the
35 Contractor to complete the project and comply with all environmental regulations, permits,
36 specifications and special provisions for this project.
37

38 **The Contracting Agency has provided a concept for a Temporary Stream Diversion Plan**
39 **on Sheet 10 of 27 in the Contract Plans for the Contractor's approval. The Contractor**
40 **must submit a detailed plan as outlined below for approval by the Engineer at their**
41 **discretion.**

42
43 Upon completion of in-water construction, the Contractor shall promptly remove all stream
44 diversion materials and equipment as directed by the Engineer. Disposal of surplus material and
45 debris remaining from dewatering operations shall be incidental to and included in this item of
46 work. The Stream Diversion Plan is an integral component of stormwater management for this
47 site. If work is required above the ordinary high water mark after the in-water work window has
48 expired, additional BMPs not shown in the Contract Plans shall be proposed by the Contractor for
49 approval by the Engineer. BMPs installed and maintained after the in-water work window has

1 expired shall control stormwater generated from the site during final construction activities.
2 Payment for BMPs shall be per Contract Unit Bid prices or via Section 1-09.

4 **Minimum Stream Flows**

5 At all times of operation the Contractor's temporary stream diversion shall be designed to convey
6 the following minimum flow rate of water in cubic feet per second:

7 *** 32 CFS***
8

9
10 During all phases of the diversion/bypass installation and decommissioning, the Contractor shall
11 maintain flows downstream of the project site.

12 **Submittals**

13
14 One week prior to beginning stream diversion/bypass and dewatering work, the Contractor shall
15 submit the following in writing to the Engineer for approval:

- 16
17 1. Plans for the installation and commissioning of the temporary stream diversion/bypass and
18 the dewatering system throughout the duration of the structure excavation and scour
19 countermeasure work.
 - 20
21 a) Drawings for Information: Show arrangement, locations, and details of temporary
22 diversion structure, pump locations and discharge line, discharge point, temporary
23 erosion control, and removal of stranded fish.
 - 24 b) Include a written report outlining
 - 25 a. Description of the stream diversion/bypass system design to be continuously
26 operated throughout the duration of the structure excavation.
 - 27 b. Control procedures to be adopted if stream bypass problems arise.
 - 28 c. Photograph or videotape, in sufficient detail, existing conditions of adjoining
29 construction and site improvements that might be misconstrued as damage
30 caused by stream bypass operations.

31
32 Work shall not commence until the submittals are approved in writing by the Engineer.

33 **2-09.3 Construction Requirements**

34
35 (*****)

36 Section 2-09.3 is supplemented with the following:

37 **Preparation**

38 Protect facilities from damage caused by settlement, lateral movement, undermining, washout,
39 and other hazards created by stream diversion operations.

40
41
42 Install the stream diversion system to ensure minimum interference with the existing streambed,
43 and other facilities surrounding the dewatering site.

44
45 Disturbance of the bed and banks should be limited to that necessary to place the structure,
46 embankment protection, and any required channel modification associated with the installation.
47 All disturbed areas should be protected from erosion within seven (7) calendar days of completion
48 using vegetation or other means.

49
50 Isolation of the construction site from stream flow shall be accomplished using techniques such
51 as:

1
2 By pumping the stream flow around the site.
3 The installation of a sheetpile or sandbag wall.
4 The use of a water-filled cofferdam.

5
6 Exception may be granted if siltation or turbidity is reduced to acceptable levels by means
7 approved by the Engineer, the Washington Department of Fish and Wildlife (WDFW) and
8 Washington Department of Ecology.

9
10 **Installation**

11 Install the stream diversion system utilizing pipes, pumps (with WDFW approved fish screens),
12 culverts, flexible hose or similar methods complete with pump equipment, standby power and
13 pumps, valves, appurtenances, water disposal, and surface-water controls.

14
15 It is anticipated that a gravity diversion/bypass system will be utilized to bypass stream around
16 the excavation area. A pump system is anticipated for dewatering work.

17
18 Provide standby equipment on-site available for immediate operation, to maintain stream bypass
19 on continuous basis if any part of system becomes inadequate or fails. At a minimum the
20 Contractor shall provide and have on hand additional pumps as a backup to the stream bypass
21 system. If stream bypass requirements are not satisfied due to inadequacy or failure of stream
22 bypass system, restore damaged structures and foundation soils at no additional expense to the
23 County.

24
25 Fish rescue shall be conducted within the zone of isolation. All fish shall be transferred
26 downstream of the project site using Washington State Department of Transportation (WSDOT)
27 fish exclusion protocols. Fish shall be removed from the project area using a seine net, dip net
28 and five gallon buckets. When fish rescue is completed the site may be dewatered. Pumps shall
29 draw down water at a slow rate so that fish remaining may be rescued and no fish stranding shall
30 occur.

31
32 Any wastewater from project activities and dewatering shall be routed to an area outside the
33 ordinary high water line to allow settling of fine sediments and other contaminants prior to being
34 discharged back into the subject stream. Do not permit open-sump pumping that leads to loss of
35 fines, soil piping, subgrade softening, and slope instability. Dewatering operations shall comply
36 with regulatory water disposal requirements of authorities having jurisdiction. The stream
37 diversion/bypass and shall be sufficiently maintained to avoid significant leaks that may result in
38 flows through the work zone. All in-water work shall be in strict conformance with permits
39 obtained for this project.

40
41 Remove and dispose of the stream bypass system from project site once the new stream channel
42 has been constructed and approved by the Engineer. Upon decommissioning, flows shall be
43 reintroduced gradually so as to minimize the mobilization of sediments.

44
45 **2-09.4 Measurement**

46 (*****)

47 Section 2-09.4 in supplemented with the following:

48
49 No specific unit of measurement will apply to "Temporary Stream Diversion".

50
51 **2-09.5 Payment**

1 (*****)

2 Section 2-09.5 is supplemented with the following:

3
4 Payment will be made in accordance with Section 1-04.1 for the following bid item included in the
5 proposal:

6
7 “Temporary Stream Diversion”, lump sum.

8
9 The lump sum contract price for “Temporary Stream Diversion” shall be full payment to perform
10 the work as specified, including dewatering, stream diversion/bypass, fish rescue, and any
11 sandbagging, pumping (with WDFW approved fish screens, fish exclusion, sediment removal,
12 filtration or other materials necessary to complete the work.
13

14 **DIVISION 3 PRODUCTION FROM QUARRY AND PIT SITES AND STOCKPILING**

15 **3-01, PRODUCTION FROM QUARRY AND PIT SITES**

16
17 **3-01.4 Contractor Furnished Material Sources**

18 **3-01.4(1) Acquisition and Development**

19 (*****)

20
21
22 Section 3-01.4(1) is supplemented with the following:

23
24 No source has been provided for any materials necessary for the construction of this project.
25

26 **DIVISION 6**
27 **STRUCTURES**

28 **6-02 Concrete Structures**

29
30 **6-02.3 Construction Requirements**

31
32 **6-02.3(24) Reinforcement**

33 Section 6-02.3(24) is supplemented with the following:

34
35 (*****)

36 Before fabricating the reinforcing, the Contractor shall submit Type 2 Working Drawings
37 for review which show the number, grade, size, length, mark, and location for all
38 reinforcing steel.
39

40 **6-02.4 Measurement**

41 Section 6-02.4 is supplemented with the following:

42
43 (June 26, 2000)

44 *** Elastomeric *** bearing - superstr. will be measured per each for each bearing assembly
45 furnished and installed.

46
47 (*****)

48 Elastomeric Stop Pads will be measured per each for each pad furnished and installed.
49

50 **6-02.5 Payment**

1 **6-02.5 Payment**

2 Section 6-02.5 is supplemented with the following:

3
4 (June 26, 2000)

5 “_____ Bearing - Superstr.”, per each.

6
7 (*****)

8 “Elastomeric Stop Pads”, per each.

9
10 **(June 26, 2000)**

11 ***Bridge and Structures Minor Items***

12 For the purpose of payment, such bridge and structures items as *** butyl rubber, grout,
13 premolded joint filler, weld ties, *** etc., for which there is no pay item included in the proposal,
14 are considered as bridge and structures minor items. All costs in connection with furnishing
15 and installing these bridge and structures minor items as shown and noted in the Plans and
16 as outlined in these specifications and in the Standard Specifications shall be included in the
17 *** applicable adjacent item of work ***

18
19 **DIVISION 8 MISCELLANEOUS CONSTRUCTION**

20 **8-15, RIP RAP**

21
22 **8-15.1 Description**

23 (*****)

24 Section 8-15.1 is supplemented with the following:

25
26 This work consists of the construction of Log Structures that include furnishing, placing and
27 backfilling Logs as designated in the Plans.

28
29 The Work consists of furnishing and placing Streambed Aggregates as shown in the Plans.

30
31 **8-15.2 Materials**

32 (*****)

33 Section 8-15.2 line 2 is replaced with the following:

34 Filter Blanket (shall meet the gradation requirements for Streambed Aggregates) SP 8-15.2

35
36 (*****)

37 Section 8-15.2 is supplemented with the following:

38
39 **Logs**

40 Logs shall be imported Red Cedar, Douglas Fir, or Sitka Spruce species and be green and not
41 stockpiled. Hemlock, Alder, Cottonwood, other deciduous trees, or dimensional lumber will not
42 be accepted as Logs and shall not be used in the Log Jams. Logs shall have bark intact and
43 undamaged, and have no limbs longer than 12 inches as measured from the stem. Logs shall
44 be sound and free of rot, insect damage, or any preservative such as creosote. Logs and
45 rootwads shall not be encrusted with silt, sands, or any fine material. The log diameter shall
46 be measured at breast height, 4.5 feet from the rootwad, and not include local widening at the
47 rootwad. Logs with rootwad shall consist of rootwad and stem, both intact and in one
48 continuous piece.

49
50 **Log Sizing**

1 Logs shall be 16 to 22-inch diameter at breast height, with a minimum stem length of 15 feet
2 and a rootwad. Rootwad diameter shall be 4 to 6 feet.

3
4 **Streambed Aggregates**

5 Streambed Sediment 9-03-11(1)

6 Streambed Cobbles 9-03.11(2)

7
8 'Streambed Aggregates' shall consist of a well-graded mixture of 20% by volume Streambed
9 Sediment and 80% by volume 6" Streambed Cobbles. The Streambed Aggregates shall be
10 premixed prior to placement into an even uniform mixture. The material will be visually
11 inspected by the Engineer or County prior to placement, and if so ordered, the Contractor shall
12 dump individual loads on a clean flat surface to measure gradation. If so ordered by the
13 Engineer, Streambed Sediment and/or 6" Streambed Cobbles shall be added to the load and
14 the load remixed.

15
16 **8-15.3 Construction Requirements**

17 (*****)

18 Section 8-15.3 is supplemented with the following:

19
20 **Log Placement**

21 The Contractor shall install all Log Structures as shown in the Plans or as directed by the
22 Engineer. The Contractor shall notify the Owner and Engineer of the schedule at least 48
23 hours prior to any Log Structure installation activities. Logs shall be approved by the Engineer
24 prior to installation.

25
26 The placement area of the Log Structures will be graded as shown in the Plans or as directed,
27 prior to placement and connection of the individual Logs. Local bank excavation for suitable
28 placement of Logs shall be performed as directed by the Engineer. Local bank excavation
29 shall be considered incidental to the unit cost of the Log.

30
31 Log placements shown on the plans are approximate and the Contractor shall anticipate field
32 direction by the Engineer throughout the installation of Log Structures. Field direction includes
33 but is not limited to: approval of Log locations and orientations; up to three minor adjustments
34 to each Log position; and approval of backfill areas and compaction within the log structure.
35 Final placements and orientations shall be verified by the Engineer prior to backfill.

36
37 Care shall be taken to protect Logs and connections during installation. During installation of
38 Log Structures, the Engineer may require the Contractor to adjust the placement or trim Logs
39 to fit the conditions encountered at the site. If, during placement or position adjustment, a Log
40 is broken or damaged such that it does not conform to the above stated material requirements,
41 the Contractor will replace the Log at no additional cost.

42
43 **Streambed Aggregates**

44 Excavation of the channel, and placement of the scour countermeasures riprap, logs, and
45 other adjacent backfill site grading shall be performed prior to placement of the 'Streambed
46 Aggregates' layer, such that finished grade of the 'Streambed Aggregates' shall match the
47 final grading shown in the Plans, or as directed by the Engineer. The 'Streambed
48 Aggregates' shall be the final backfill layer in the channel area as shown on the Plans, and
49 no additional excavation shall be performed for the placement of the 'Streambed
50 Aggregates'. The final grade of the 'Streambed Aggregate' layers and all excavated channel

1 banks shall be compacted in accordance with Section 2-03.3(14)C Method A, or other
2 alternate method approved by Engineer.

3
4 Prior to removing the stream diversion and subsequent to the completion of all grading below
5 ordinary high water, the disturbed channel bed areas where 'Streambed Aggregates' have
6 been placed shall be sealed by washing until water flow is not subsurface. If so ordered, up
7 to 5 CY of on-site stockpiled 'Common Borrow' selected by the Engineer shall be placed on
8 the surface of, and washed into, the 'Streambed Aggregates' to eliminate subsurface flow.
9 For purposes of washing in the constructed channel surfaces described in this section, the
10 water shall be pumped from fish excluded areas of Mill Creek.

11 **8-15.4 Measurement**

12 (*****)

13 Section 8-15.4 is supplemented with the following:

14
15 Logs shall be measured by each Log installed.

16
17 Streambed Aggregates shall be measured by the ton.

18 **8-15.5 Payment**

19 (*****)

20 Section 8-15.5 is supplemented with the following:

21
22 Payment will be made in accordance with Section 1-04.1 for the following bid items that are
23 included in the Proposal:

24 "Logs", per each.

25 The unit Contract price for "Logs" shall be full payment for furnishing, delivery, labor, tools,
26 materials and equipment necessary to complete the Log Structures as described and as
27 shown in the Plans, including but not limited to: Logs and local excavation required for
28 placement of the Log Structures, and any final field adjustment of Log Structures as directed
29 by the Engineer; and all incidentals necessary to satisfactorily complete the work.

30
31 "Streambed Aggregates", per ton.

32 **POWER EQUIPMENT**

33 (*****)

34 The successful bidder will be required to furnish the County a list of all equipment that they
35 anticipate utilizing on this project.

36
37 The bidder's attention is directed to the attached Power Equipment Form, which the successful
38 bidder will be required to complete and return with the contract documents. This information will
39 enable hourly rental rates to be computed by the County, utilizing the "Rental Rate Blue Book for
40 Construction Equipment". No payment for any force account work will be allowed until this form
41 has been returned and accepted by the County.

42 **E-VERIFY**

43 (*****)

1
2 “Effective June 21st, 2010, all contracts with a value of ≥ \$100,000 shall require that the awarded
3 contractor register with the Department of Homeland Security E-Verify program. Contractors shall
4 have sixty days after the execution of the contract to register and enter into a Memorandum of
5 Understanding (MOU) with the Department of Homeland Security (DHS) E-Verify program. After
6 completing the MOU the contractor shall have an additional sixty days to provide a written record
7 on the authorized employment status of their employees and those of any sub-contractor(s)
8 currently assigned to the contract. Employees hired during the execution of the contract and after
9 submission of the initial verification will be verified to the county within 30 days of hire, as reported
10 from the E-Verify program. The contractor will continue to update the County on all corrective
11 actions required and changes made during the performance of the contract.”
12

13 **BOND**

14 (*****)

15
16 The Bidder's special attention is directed to the attached bond form, which the successful bidder
17 will be required to execute and furnish the County. **NO OTHER BOND FORMS WILL BE**
18 **ACCEPTED.** The bond shall be for the full amount of the contract.
19

20 **LEWIS COUNTY ESTIMATES AND PAYMENT POLICY**

21 (*****)

22
23 On or before the 5th day of each calendar month during the term of this contract, the Contracting
24 Agency shall prepare its estimate of work performed, and material furnished. If the Contractor
25 agrees, the Contractor will approve the estimate and return the estimate to the Contracting
26 Agency by the 15th day of that same calendar month. The Contracting Agency shall prepare a
27 voucher based upon the approved estimate and a payment based thereon shall be due the
28 Contractor on the 10th day of the next calendar month.
29

30 When the Contractors report the work is completed he/she shall then notify the Contracting
31 Agency. The Contracting Agency shall inspect the work and report any deficiencies to the
32 Contractor. When the Contracting Agency is satisfied the work has been completed in
33 accordance with all plans and specifications the Contracting Agency shall then accept the work.
34

35 The Contracting Agency shall prepare a pre-final estimate for approval by the Contractor and
36 processing for payment on the monthly schedule. Release of Contract Bond will be 60 days
37 following Contracting Agency Final Acceptance of Contract, provided the conditions of Section 1-
38 03.4 and Section 1-07.2 of these Special Provisions have been satisfied.
39

40 **APPENDICES**

41 (July 12, 1999)

42
43 The following appendices are attached and made a part of this contract:
44

45 ***** APPENDIX A:

46 Washington State Prevailing Wage Rates
47 Wage Rate Supplements
48 Wage Rate Benefit Code Key

1
2
3
4
5
6
7
8
9
10
11
12
13
14
15
16
17
18
19
20
21
22
23
24
25
26
27

Federal Wage Rates

APPENDIX B:
Required Contract Provisions Federal-Aid Construction Contracts – FHWA 1273
Amendment Required Contract Provisions Federal-Aid Construction Contracts

APPENDIX C:
Bid Proposal Documents

APPENDIX D:
Contract Documents

APPENDIX E:
Environmental Permit Documents

APPENDIX F:
Contract Plans *****

1
2 (FEBRUARY 5, 2020)

3 **STANDARD PLANS**

4 The State of Washington Standard Plans for Road, Bridge and Municipal Construction M21-01
5 transmitted under Publications Transmittal No. PT 16-048, effective September 3, 2019 is made a
6 part of this contract.

7
8 The Standard Plans are revised as follows:

9
10 A-50.10

11 Sheet 2 of 2, Plan, with Single Slope Barrier, reference C-14a is revised to C-70.10

12
13 A-50.20

14 Sheet 2 of 2, Plan, with Anchored Barrier, reference C-14a is revised to C-70.10

15
16 A-50.30

17 Sheet 2 of 2, Plan (top), reference C-14a is revised to C-70.1

18
19 B-10.60

20 DELETED

21
22 B-82.20

23 DELETED

24
25 B-90.40

26 Valve Detail – DELETED

27
28 C-1

29 Delete Note 1.

30
31 Revise Note 2 to read “Remove all rail washers, also called “Snow Load Rail Washers”, when
32 encountered during raising beam guardrail work and the guardrail raising work requires
33 removal of the rail.

34
35 Re-number all notes.

36
37 C-4b

38 DELETED

39
40 C-4e

41 DELETED

42
43 C-8a

44 Delete “Section A-A, Type 4 Detail

45
46 C-20.11

47 Delete Notes 1 & 2. Re-Number all notes.

48 Delete “ Snow Load Post Washer” and “Snow Load Rail Washer” details.

49
50 C-20.19

51 DELETED

1 C-22.14
2 DELETED

3
4 C-22.16

5 Note 3, formula, was: "Elevation G = (Elevation S – D x (0.1) + 31" is revised to read: "Elevation
6 G = (Elevation S – D x (0.1) + 31/12"

7
8 C-22.45

9 For the SOFTSTOP (TL-2) elevation view detail, the callout "SOFTSTOP (TL-2) SYSTEM
10 LENGTH = 38' – 4 1/2'" is revised to read "SOFTSTOP (TL-2) SYSTEM LENGTH = 38' – 3
11 1/2"

12
13 C-40.14
14 DELETED

15
16 C-60.10

17 Sheet 1, Side Elevation: The bottom set of ① - #4 horizontal rebar (2x) located at the base of
18 the barrier is repositioned to be aligned with the bottom of ② - #4 stirrup bars to match the bar
19 positioning shown on Sheet 1, Section A.

20
21 Sheet 1, Reinforcing Steel Bending Diagram, ③ - Pin Slot Bar detail: Add the following callout
22 to the detail, "HOT DIP GALVANIZE AFTER FABRICATION (ASTM A123 OR AASHTO M
23 111)".

24
25 Sheet 2, ANCHORING PIN ASSEMBLY DETAIL: The first line of the description under the title
26 was "1 1/2" DIAMETER (ASTM A36), COLD ROLL" is now changed to "1 1/2" DIAMETER
27 (ASTM A36), HOT ROLL".

28
29 C-70.10

30 Sheet 1, Note 1 was - "1. PERMANENT INSTALLATION requirements: Embed barrier 3" (in)
31 minimum; ..." is revised to read: "1. Installation requirements: Embed barrier 3" (in) minimum
32 in asphalt or concrete; embed barrier 10" (in) minimum in soil; ..."

33
34 Sheet 1, existing Notes 2 and 4 are deleted. Existing Note 3 is renumbered to Note 2.

35
36 Sheet 1, add new Note 3, "3. See Sheet 2 for barrier with a 2'-10" reveal installed in asphalt or
37 concrete. See Sheet 3 for barrier with a 3'-6" reveal installed in asphalt or concrete."

38
39 Sheet 1, Elevation: The dimension from the barrier end to the barrier lifting slot was "3' – 4"
40 (TYP)" is now changed to "4' – 8" (TYP)", and the barrier lifting slot dimension was "5' – 0"
41 (TYP)" is now changed to "3' – 0" (TYP)".

42
43 Sheet 2, the detail titled "3' – 6" BARRIER FOR USE WITH A 0" (IN) TO 5" (IN) MAX. GRADE
44 SEPARATION" has the following changes:

- 45 1. The detail title is changed to "3' – 6" BARRIER FOR USE WITH A 0" (IN) TO 4" (IN) MAX.
46 GRADE SEPARATION".
47 2. The callout "GRADE SEPARATION--5" MAX." is changed to "GRADE SEPARATION--4"
48 MAX."

49
50 C-75.10

51 Note 2 is deleted. Renumber subsequent notes.

52
53 C-75.20

1 Note 2 is deleted. Renumber subsequent notes.

2
3 C-75.30

4 Note 2 is deleted. Renumber subsequent notes.

5
6 C-85.11

7 Add new Note 3 “3. The intended use of this plan is for placing concrete barrier in front of
8 bridge piers on bridge retrofit projects only. Contact the HQ Bridge traffic barrier specialist
9 before using this barrier placement plan for projects involving new or reconstructed bridges.”

10
11 C-85.14

12 DELETED

13
14 C-90.10

15 DELETED

16
17 D-10.10

18 Wall Type 1 may be used if no traffic barrier is attached on top of the wall. Walls with traffic
19 barriers attached on top of the wall are considered non-standard and shall be designed in
20 accordance with the current WSDOT Bridge Design Manual (BDM) and the revisions stated in
21 the 11/3/15 Bridge Design memorandum.

22
23 D-10.15

24 Wall Type 2 may be used if no traffic barrier is attached on top of the wall. Walls with traffic
25 barriers attached on top of the wall are considered non-standard and shall be designed in
26 accordance with the current WSDOT BDM and the revisions stated in the 11/3/15 Bridge
27 Design memorandum.

28
29 D-10.30

30 Wall Type 5 may be used in all cases.

31
32 D-10.35

33 Wall Type 6 may be used in all cases.

34
35 D-10.40

36 Wall Type 7 may be used if no traffic barrier is attached on top of the wall. Walls with traffic
37 barriers attached on top of the wall are considered non-standard and shall be designed in
38 accordance with the current WSDOT BDM and the revisions stated in the 11/3/15 Bridge
39 Design memorandum.

40
41 D-10.45

42 Wall Type 8 may be used if no traffic barrier is attached on top of the wall. Walls with traffic
43 barriers attached on top of the wall are considered non-standard and shall be designed in
44 accordance with the current WSDOT BDM and the revisions stated in the revisions stated in
45 the 11/3/15 Bridge Design memorandum.

46
47 D-15.10

48 STD Plans D-15 series “Traffic Barrier Details for Reinforced Concrete Retaining Walls” are
49 withdrawn. Special designs in accordance with the current WSDOT BDM are required in place
50 of these STD Plans.

51
52 D-15.20

1 STD Plans D-15 series “Traffic Barrier Details for Reinforced Concrete Retaining Walls” are
2 withdrawn. Special designs in accordance with the current WSDOT BDM are required in place
3 of these STD Plans.

4
5 D-15.30

6 STD Plans D-15 series “Traffic Barrier Details for Reinforced Concrete Retaining Walls” are
7 withdrawn. Special designs in accordance with the current WSDOT BDM are required in place
8 of these STD Plans.

9
10 F-10.12

11 Section Title, was – “Depressed Curb Section” is revised to read: “Depressed Curb and Gutter
12 Section”

13
14 F-10.40

15 “EXTRUDED CURB AT CUT SLOPE”, Section detail - Deleted

16
17 F-10.42

18 DELETE – “Extruded Curb at Cut Slope” View

19
20 G-25.10

21 Key Note 3, second sentence, was – “For single-post installations, divide the (#2w/diamond
22 shape symbol) post MAX. XYZ in half.” Is revised to read: “For single-post installations, divide
23 the two-post MAX. XYZ in half.”

24
25 G-60.10

26 DELETED

27
28 G-60.20

29 DELETED

30
31 G-60.30

32 DELETED

33
34 G-70.10

35 DELETED

36
37 G-70.20

38 DELETED

39
40 H-70.20

41 Sheet 2, Spacing Detail, Mailbox Support Type 1, reference to Standard Plan I-70.10 is revised
42 to H-70.10

43
44 J-10.21

45 Note 18, was – “When service cabinet is installed within right of way fence, see Standard Plan
46 J-10.22 for details.” Is revised to read; “When service cabinet is installed within right of way
47 fence, or the meter base is mounted on the exterior of the cabinet, see Standard Plan J-10.22
48 for details.”

49
50 J-10.22

51 Key Note 1, was – “Meter base per serving utility requirements~ as a minimum, the meter base
52 shall be safety socket box with factory-installed test bypass facility that meets the requirements
53 of EUSERC drawing 305.” Is revised to read; “Meter base per serving utility requirements~ as

1 a minimum, the meter base shall be safety socket box with factory-installed test bypass facility
2 that meets the requirements of EUSERC drawing 305. When the utility requires meter base to
3 be mounted on the side or back of the service cabinet, the meter base enclosure shall be
4 fabricated from type 304 stainless steel.”

5 Key Note 4, “Test with (SPDT Snap Action, Positive close 15 Amp – 120/277 volt “T” rated). Is
6 revised to read: “Test Switch (SPDT snap action, positive close 15 amp – 120/277 volt “T”
7 rated).”

8 Key Note 14, was – “Hinged dead front with ¼ turn fasteners or slide latch.” Is revised to read;
9 “Hinged dead front with ¼ turn fasteners or slide latch. ~ Dead front panel bolts shall not extend
10 into the vertical limits of the breaker array(s).”

11 Key Note 15, was – “Cabinet Main Bonding Jumper. Buss shall be 4 lug tinned copper. See
12 Cabinet Main bonding Jumper detail, Standard Plan J-3b.” is revised to read; “Cabinet Main
13 Bonding Jumper Assembly ~ Buss shall be 4 lug tinned copper ~ See Standard Plan J-10.20
14 for Cabinet Main Bonding Jumper Assembly details.”

15 Note 1, was – “...socket box mounting detail, see Standard Plan J-3b.” is revised to read to
16 read: “...socket box mounting detail, see Standard Plan J-10.20.”

17 Note 6, was – “...See door hinge detail, Standard Plan J-3b.” is revised to read: “...See door
18 hinge detail, Standard Plan J-10.20.”

19 20 J-20.26

21 Add Note 1, “1. One accessible pedestrian pushbutton station per pedestrian pushbutton post.”

22 23 J-20.16

24 View A, callout, was – LOCK NIPPLE, is revised to read; CHASE NIPPLE

25 26 J-21.10

27 Sheet 1, Elevation View, Round Concrete Foundation Detail, callout – “ANCHOR BOLTS ~ ¾”
28 (IN) x 30” (IN) FULL THREAD ~ THREE REQ'D. PER ASSEMBLY” IS REVISED TO READ:
29 “ANCHOR BOLTS ~ ¾” (IN) x 30” (IN) FULL THREAD ~ FOUR REQ'D. PER ASSEMBLY”

30 Sheet 1 of 2, Elevation view (Round), add dimension depicting the distance from the top of the
31 foundation to find 2 #4 reinforcing bar shown, to read; 3” CLR.. Delete “(TYP.)” from the 2 ½”
32 CLR. dimension, depicting the distance from the bottom of the foundation to find 2 # 4 reinf.
33 Bar.

34 Sheet 1 of 2, Elevation view (Square), add dimension depicting the distance from the top of
35 the foundation to find 1 #4 reinforcing bar shown, to read; 3” CLR. Delete “(TYP.)” from the 2
36 ½” CLR. dimension, depicting the distance from the bottom of the foundation to find 1 # 4
37 reinf. Bar.

38 Sheet 2 of 2, Elevation view (Round), add dimension depicting the distance from the top of the
39 foundation to find 2 #4 reinforcing bar shown, to read; 3” CLR. Delete “(TYP.)” from the 2 ½”
40 CLR. dimension, depicting the distance from the bottom of the foundation to find 2 # 4 reinf.
41 Bar.

42 Sheet 2 of 2, Elevation view (Square), add dimension depicting the distance from the top of
43 the foundation to find 1 #4 reinforcing bar shown, to read; 3” CLR. Delete “(TYP.)” from the 2
44 ½” CLR. dimension, depicting the distance from the bottom of the foundation to find 1 # 4
45 reinf. Bar.

46 Detail F, callout, “Heavy Hex Clamping Bolt (TYP.) ~ ¾” (IN) Diam. Torque Clamping Bolts
47 (see Note 3)” is revised to read; “Heavy Hex Clamping Bolt (TYP.) ~ ¾” (IN) Diam. Torque
48 Clamping Bolts (see Note 1)”

49 Detail F, callout, “¾” (IN) x 2’ – 6” Anchor Bolt (TYP.) ~ Four Required (See Note 4)” is
50 revised to read; “¾” (IN) x 2’ – 6” Anchor Bolt (TYP.) ~ Three Required (See Note 2)”

51 52 J-21.15

1 Partial View, callout, was – LOCK NIPPLE ~ 1 ½” DIAM., is revised to read; CHASE NIPPLE
2 ~ 1 ½” (IN) DIAM.

3
4 J-21.16

5 Detail A, callout, was – LOCKNIPPLE, is revised to read; CHASE NIPPLE

6
7 J-22.15

8 Ramp Meter Signal Standard, elevation, dimension 4’ - 6” is revised to read; 6’-0”
9 (2x) Detail A, callout, was – LOCK NIPPLE ~ 1 ½” DIAM. is revised to read; CHASE NIPPLE
10 ~ 1 ½” (IN) DIAM.

11
12 J-28.24

13 Case E and Case F Section View dimension callout, “3’ – 0” MIN. FOR BEAM GUARDRAIL,
14 4’ – 0” MIN. FOR CONC. BARRIER TYPE 2” is revised to read, “5’ – 0” MIN. FOR BEAM
15 GUARDRAIL, 8’ – 0” MIN. FOR UNANCHORED TYPE F CONC. BARRIER, 4’ – 0” MIN. FOR
16 ANCHORED TYPE F CONC. BARRIER”.

17
18 J-40.10

19 Sheet 2 of 2, Detail F, callout, “12 – 13 x 1 ½” S.S. PENTA HEAD BOLT AND 12” S. S. FLAT
20 WASHER” is revised to read; “12 – 13 x 1 ½” S.S. PENTA HEAD BOLT AND 1/2” (IN) S. S.
21 FLAT WASHER”

22
23 J-75.20

24 Key Notes, note 16, second bullet point, was: “1/2” (IN) x 0.45” (IN) Stainless Steel Bands”,
25 add the following to the end of the note: “Alternate: Stainless steel cable with stainless steel
26 ends, nuts, bolts, and washers may be used in place of stainless steel bands and associated
27 hardware.”

28
29 J-81.10

30 Power Distribution Block Diagram, lower left corner, Sheet 1 of 3; Switch Pack 2; circuit 623
31 (T4-5) [middle ckt] is revised to read; circuit **622 (T4-5)**.

32
33 K-80.10

34 SIGN INSTALLATION (BEHIND TRAFFIC BARRIER) detail dimension callout, “3’ MIN.” is
35 revised to read, “5’ MIN.”.

36
37 K-80.30

38 DELETED

39
40 K-80.35

41 Add New Note 1 – “1. The intended use of this plan is for the temporary installation of Type 2
42 concrete barrier (See Standard Plan C-8) on cement concrete pavement, bridge decks, or hot
43 mix asphalt pavement, and Type F concrete barrier on cement concrete pavement or bridge
44 decks.

45
46 Re-number all notes.

47
48 The TYPE 1 ANCHOR detail description “TEMPORARY INSTALLATION OF PRECAST
49 CONC. BARRIER TYPE 2 (STD. PLAN C-8) AND TEMPORARY CONC. BARRIER (F-
50 SHAPE) (STD. PLAN K-80.30) ON CEMENT CONC. PAVEMENT OR BRIDGE DECK” is
51 revised to read, “TEMPORARY INSTALLATION OF PRECAST CONC. BARRIER TYPE F
52 (STD. PLAN C-60.10) OR PRECAST CONC. BARRIER TYPE 2 (STD. PLAN C-8) ON
53 CEMENT CONC. PAVEMENT OR BRIDGE DECK.”

The TYPE 3 ANCHOR detail description “TEMPORARY INSTALLATION OF PRECAST CONC. BARRIER TYPE 2 (STD. PLAN C-8) AND TEMPORARY CONC. BARRIER (F-SHAPE) (STD. PLAN K-80.30) ON HOT MIX ASPHALT PAVEMENT” is revised to read, “TEMPORARY INSTALLATION OF PRECAST CONC. BARRIER TYPE 2 (STD. PLAN C-8) ON HOT MIX ASPHALT PAVEMENT.”

K-80.37

Revise Note 1 to read: “1. The intended use of this plan is for the temporary installation of Type F NARROW BASE concrete barrier (See Standard Plan C-60.10) or Type 4 (Type 2 Narrow Base – See Std. Plan C-8a) Concrete Barrier on cement concrete pavement, bridge decks.”

Replace all callouts stating “NARROW BASE, ALTERNATIVE TEMPORARY CONCRETE BARRIER SEGMENT” with “Type F NARROW BASE or Type 4 (Type 2 Narrow Base) concrete barrier segment.”

M-3.50

Double-Left Turn Channelization (with Right Turn Pocket) view, dimension, upper left corner, “taper” dimension; callout – was “40’ if Posted Speed is 40 MPH or less 100’ if Posted Speed is more than 40 MPH” is revised to read; “See Contract”

M-5.10

Right-Turn Channelization view, dimension, upper right corner, “taper” dimension; callout – was “50’ MIN.” is revised to read; “See Contract”

M-12.10

Add Note 5. “Check with Region Traffic Office for RPM and Guidepost placements.”

M-24.50

DELETED

The following are the Standard Plan numbers applicable at the time this project was advertised. The date shown with each plan number is the publication approval date shown in the lower right-hand corner of that plan. Standard Plans showing different dates shall not be used in this contract.

A-10.10-00.....8/7/07	A-40.00-00.....8/11/09	A-50.30-00.....11/17/08
A-10.20-00.....10/5/07	A-40.10-04.....7/31/19	A-50.40-00.....11/17/08
A-10.30-00.....10/5/07	A-40.15-00.....8/11/09	A-60.10-03.....12/23/14
A-20.10-00.....8/31/07	A-40.20-04.....1/18/17	A-60.20-03.....12/23/14
A-30.10-00.....11/8/07	A-40.50-02.....12/23/14	A-60.30-01.....6/28/18
A-30.30-01.....6/16/11	A-50.10-00.....11/17/08	A-60.40-00.....8/31/07
A-30.35-00.....10/12/07	A-50.20-01.....9/22/09	

B-5.20-02.....1/26/17	B-30.50-03.....2/27/18	B-75.20-02.....2/27/18
B-5.40-02.....1/26/17	B-30.70-04.....2/27/18	B-75.50-01.....6/10/08
B-5.60-02.....1/26/17	B-30.80-01.....2/27/18	B-75.60-00.....6/8/06
B-10.20-02.....3/2/18	B-30.90-02.....1/26/17	B-80.20-00.....6/8/06
B-10.40-01.....1/26/17	B-35.20-00.....6/8/06	B-80.40-00.....6/1/06
B-10.70-00.....1/26/17	B-35.40-00.....6/8/06	B-85.10-01.....6/10/08
B-15.20-01.....2/7/12	B-40.20-00.....6/1/06	B-85.20-00.....6/1/06
B-15.40-01.....2/7/12	B-40.40-02.....1/26/17	B-85.30-00.....6/1/06
B-15.60-02.....1/26/17	B-45.20-01.....7/11/17	B-85.40-00.....6/8/06

B-20.20-02.....3/16/12	B-45.40-01.....7/21/17	B-85.50-01.....6/10/08
B-20.40-04.....2/27/18	B-50.20-00.....6/1/06	B-90.10-00.....6/8/06
B-20.60-03.....3/15/12	B-55.20-02.....2/27/18	B-90.20-00.....6/8/06
B-25.20-02.....2/27/18	B-60.20-01.....6/28/18	B-90.30-00.....6/8/06
B-25.60-02.....2/27/18	B-60.40-01.....2/27/18	B-90.40-01.....1/26/17
B-30.10-03.....2/27/18	B-65.20-01.....4/26/12	B-90.50-00.....6/8/06
B-30.15-00.....2/27/18	B-65.40-00.....6/1/06	B-95.20-01.....2/3/09
B-30.20-04.....2/27/18	B-70.20-00.....6/1/06	B-95.40-01.....6/28/18
B-30.30-03.....2/27/18	B-70.60-01.....1/26/17	
B-30.40-03.....2/27/18		

1

C-1.....6/28/18	C-20.15-02.....6/11/14	C-40.18-03.....7/21/17
C-1a.....7/14/15	C-20.18-03.....8/12/19	C-60.10-00.....8/22/19
C-1b.....8/12/19	C-20.19-03.....8/12/19	C-70.10-01.....6/17/14
C-1d.....10/31/03	C-20.40-07.....8/12/19	C-75.10-01.....6/11/14
C-2c.....8/12/19	C-20.41-02.....8/12/19	C-75.20-01.....6/11/14
C-4f.....8/12/19	C-20.42-05.....7/14/15	C-75.30-01.....6/11/14
C-6a.....10/14/09	C-20.45.02.....8/12/19	C-80.10-01.....6/11/14
C-7.....6/16/11	C-22.16-06.....7/21/17	C-80.20-01.....6/11/14
C-7a.....6/16/11	C-22.40-07.....8/12/19	C-80.30-01.....6/11/14
C-8.....2/10/09	C-22.45-04.....8/12/19	C-80.40-01.....6/11/14
C-8a.....7/25/97	C-23.60-04.....7/21/17	C-80.50-00.....4/8/12
C-8b.....2/29/16	C.24.10-02.....8/12/19	C-85.10-00.....4/8/12
C-8e.....2/21/07	C-25.20-06.....7/14/15	C-85.11-00.....4/8/12
C-8f.....6/30/04	C-25.22-05.....7/14/15	C-85.14-01.....6/11/14
C-16a.....7/21/17	C-25.26-04.....8/12/19	C-85.15-01.....6/30/14
C-20.10-05.....8/12/19	C-25.30-00.....6/28/18	C-85.16-01.....6/17/14
C-20.11-00.....7/21/17	C-25.80-05.....8/12/19	C-85.18-01.....6/11/14
C-20.14-04.....8/12/19	C-40.16-02.....7/2/12	C-85.20-01.....6/11/14

2

D-2.04-00.....11/10/05	D-2.48-00.....11/10/05	D-3.17-02.....5/9/16
D-2.06-01.....1/6/09	D-2.64-01.....1/6/09	D-4.....12/11/98
D-2.08-00.....11/10/05	D-2.66-00.....11/10/05	D-6.....6/19/98
D-2.14-00.....11/10/05	D-2.68-00.....11/10/05	D-10.10-01.....12/2/08
D-2.16-00.....11/10/05	D-2.80-00.....11/10/05	D-10.15-01.....12/2/08
D-2.18-00.....11/10/05	D-2.82-00.....11/10/05	D-10.20-01.....8/7/19
D-2.20-00.....11/10/05	D-2.84-00.....11/10/05	D-10.25-01.....8/7/19
D-2.32-00.....11/10/05	D-2.86-00.....11/10/05	D-10.30-00.....7/8/08
D-2.34-01.....1/6/09	D-2.88-00.....11/10/05	D-10.35-00.....7/8/08
D-2.36-03.....6/11/14	D-2.92-00.....11/10/05	D-10.40-01.....12/2/08
D-2.42-00.....11/10/05	D-3.09-00.....5/17/12	D-10.45-01.....12/2/08
D-2.44-00.....11/10/05	D-3.10-01.....5/29/13	
D-2.60-00.....11/10/05	D-3.11-03.....6/11/14	
D-2.62-00.....11/10/05	D-3.15-02.....6/10/13	
D-2.46-01.....6/11/14	D-3.16-02.....5/29/13	

3

E-1.....2/21/07	E-4.....8/27/03
E-2.....5/29/98	E-4a.....8/27/03

4

F-10.12-03.....6/11/14	F-10.62-02.....4/22/14	F-40.15-03.....6/29/16
F-10.16-00.....12/20/06	F-10.64-03.....4/22/14	F-40.16-03.....6/29/16
F-10.18-01.....7/11/17	F-30.10-03.....6/11/14	F-45.10-02.....7/15/16
F-10.40-03.....6/29/16	F-40.12-03.....6/29/16	F-80.10-04.....7/15/16

F-10.42-00.....1/23/07 F-40.14-03.....6/29/16

1

G-10.10-00.....9/20/07	G-25.10-04.....6/10/13	G-95.10-02.....6/28/18
G-20.10-02.....6/23/15	G-26.10-00.....7/31/19	G-95.20-03.....6/28/18
G-22.10-04.....6/28/18	G-30.10-04.....6/23/15	G-95.30-03.....6/28/18
G-24.10-00.....11/8/07	G-50.10-03.....6/28/18	
G-24.20-01.....2/7/12	G-90.10-03.....7/11/17	
G-24.30-02.....6/28/18	G-90.11-00.....4/28/16	
G-24.40-07.....6/28/18	G-90.20-05.....7/11/17	
G-24.50-05.....8/7/19	G-90.30-04.....7/11/17	
G-24.60-05.....6/28/18	G-90.40-02.....4/28/16	

2

H-10.10-00.....7/3/08	H-32.10-00.....9/20/07	H-70.10-01.....2/7/12
H-10.15-00.....7/3/08	H-60.10-01.....7/3/08	H-70.20-01.....2/16/12
H-30.10-00.....10/12/07	H-60.20-01.....7/3/08	H-70.30-02.....2/7/12

3

I-10.10-01.....8/11/09	I-30.20-00.....9/20/07	I-40.20-00.....9/20/07
I-30.10-02.....3/22/13	I-30.30-02.....6/12/19	I-50.20-01.....6/10/13
I-30.15-02.....3/22/13	I-30.40-02.....6/12/19	I-60.10-01.....6/10/13
I-30.16-01.....7/11/19	I-30.60-02.....6/12/19	I-60.20-01.....6/10/13
I-30.17-01.....6/12/19	I-40.10-00.....9/20/07	I-80.10-02.....7/15/16

4

J-10.....7/18/97	J-28.40-02.....6/11/14	J-60.13-00.....6/16/10
J-10.10-03.....6/3/15	J-28.42-01.....6/11/14	J-60.14-01.....7/31/19
J-10.15-01.....6/11/14	J-28.43-01.....6/28/18	J-75.10-02.....7/10/15
J-10.16-00.....6/3/15	J-28.45-03.....7/21/16	J-75.20-01.....7/10/15
J-10.17-00.....6/3/15	J-28.50-03.....7/21/16	J-75.30-02.....7/10/15
J-10.18-00.....6/3/15	J-28.60-02.....7/21/16	J-75.40-02.....6/1/16
J-10.20-02.....7/31/19	J-28.70-03.....7/21/17	J-75.41-01.....6/29/16
J-10.21-00.....6/3/15	J-29.10-01.....7/21/16	J-75.45-02.....6/1/16
J-10.22-00.....5/29/13	J-29.15-01.....7/21/16	J-80.10-00.....6/28/18
J-10.25-00.....7/11/17	J-29.16-02.....7/21/16	J-80.15-00.....6/28/18
J-12.15-00.....6/28/18	J-30.10-00.....6/18/15	J-81.10-00.....6/28/18
J-12.16-00.....6/28/18	J-40.05-00.....7/21/16	J-86.10-00.....6/28/18
J-15.10-01.....6/11/14	J-40.10-04.....4/28/16	J-90.10-03.....6/28/18
J-15.15-02.....7/10/15	J-40.20-03.....4/28/16	J-90.20-03.....6/28/18
J-20.10-04.....7/31/19	J-40.30-04.....4/28/16	J-90.21-02.....6/28/18
J-20.11-03.....7/31/19	J-40.35-01.....5/29/13	J-90.50-00.....6/28/18
J-20.15-03.....6/30/14	J-40.36-02.....7/21/17	
J-20.16-02.....6/30/14	J-40.37-02.....7/21/17	
J-20.20-02.....5/20/13	J-40.38-01.....5/20/13	
J-20.26-01.....7/12/12	J-40.39-00.....5/20/13	
J-21.10-04.....6/30/14	J-40.40-02.....7/31/19	
J-21.15-01.....6/10/13	J-45.36-00.....7/21/17	
J-21.16-01.....6/10/13	J-50.05-00.....7/21/17	
J-21.17-01.....6/10/13	J-50.10-01.....7/31/19	
J-21.20-01.....6/10/13	J-50.11-02.....7/31/19	
J-22.15-02.....7/10/15	J-50.12-02.....8/7/19	
J-22.16-03.....7/10/15	J-50.13-00.....8/22/19	
J-26.10-03.....7/21/16	J-50.15-01.....7/21/17	
J-26.15-01.....5/17/12	J-50.16-01.....3/22/13	
J-26.20-01.....6/28/18	J-50.18-00.....8/7/19	

J-27.10-01.....7/21/16	J-50.19-00.....8/7/19
J-27.15-00.....3/15/12	J-50.20-00.....6/3/11
J-28.10-02.....8/7/19	J-50.25-00.....6/3/11
J-28.22-00.....8/07/07	J-50.30-00.....6/3/11
J-28.24-01.....6/3/15	J-60.05-01.....7/21/16
J-28.26-01.....12/02/08	J-60.11-00.....5/20/13
J-28.30-03.....6/11/14	J-60.12-00.....5/20/13

1

K-70.20-01.....6/1/16
K-80.10-01.....6/1/16
K-80.20-00.....12/20/06
K-80.35-00.....2/21/07
K-80.37-00.....2/21/07

2

L-10.10-02.....6/21/12	L-40.10-02.....6/21/12	L-70.10-01.....5/21/08
L-20.10-03.....7/14/15	L-40.15-01.....6/16/11	L-70.20-01.....5/21/08
L-30.10-02.....6/11/14	L-40.20-02.....6/21/12	

3

M-1.20-03.....6/24/14	M-11.10-03.....8/7/19	M-40.20-00...10/12/07
M-1.40-02.....6/3/11	M-12.10-01.....6/28/18	M-40.30-01.....7/11/17
M-1.60-02.....6/3/11	M-15.10-01.....2/6/07	M-40.40-00.....9/20/07
M-1.80-03.....6/3/11	M-17.10-02.....7/3/08	M-40.50-00.....9/20/07
M-2.20-03.....7/10/15	M-20.10-02.....6/3/11	M-40.60-00.....9/20/07
M-2.21-00.....7/10/15	M-20.20-02.....4/20/15	M-60.10-01.....6/3/11
M-3.10-03.....6/3/11	M-20.30-04.....2/29/16	M-60.20-02.....6/27/11
M-3.20-02.....6/3/11	M-20.40-03.....6/24/14	M-65.10-02.....5/11/11
M-3.30-03.....6/3/11	M-20.50-02.....6/3/11	M-80.10-01.....6/3/11
M-3.40-03.....6/3/11	M-24.20-02.....4/20/15	M-80.20-00.....6/10/08
M-3.50-02.....6/3/11	M-24.40-02.....4/20/15	M-80.30-00.....6/10/08
M-5.10-02.....6/3/11	M-24.60-04.....6/24/14	
M-7.50-01.....1/30/07	M-24.65-00.....7/11/17	
M-9.50-02.....6/24/14	M-24.66-00.....7/11/17	
M-9.60-00.....2/10/09	M-40.10-03.....6/24/14	

4
5
6
7
8
9
10
11
12
13
14
15
16

PPENDIX A

WASHINGTON STATE PREVAILING WAGE RATES

INCLUDING:

State Wage Rates

Wage Rate Supplements

Wage Rate Benefit Codes

Federal Wage Rates

State of Washington
 Department of Labor & Industries
 Prevailing Wage Section - Telephone 360-902-5335
 PO Box 44540, Olympia, WA 98504-4540

Washington State Prevailing Wage

The PREVAILING WAGES listed here include both the hourly wage rate and the hourly rate of fringe benefits. On public works projects, worker's wage and benefit rates must add to not less than this total. A brief description of overtime calculation requirements are provided on the Benefit Code Key.

Journey Level Prevailing Wage Rates for the Effective Date: 9/23/2020

<u>County</u>	<u>Trade</u>	<u>Job Classification</u>	<u>Wage</u>	<u>Holiday</u>	<u>Overtime</u>	<u>Note</u>	<u>*Risk Class</u>
Lewis	Asbestos Abatement Workers	Journey Level	\$52.39	<u>5D</u>	<u>1H</u>		View
Lewis	Boilermakers	Journey Level	\$69.29	<u>5N</u>	<u>1C</u>		View
Lewis	Brick Mason	Journey Level	\$60.57	<u>7E</u>	<u>1N</u>		View
Lewis	Brick Mason	Pointer-Caulker-Cleaner	\$60.57	<u>7E</u>	<u>1N</u>		View
Lewis	Building Service Employees	Janitor	\$13.50		<u>1</u>		View
Lewis	Building Service Employees	Shampooer	\$13.50		<u>1</u>		View
Lewis	Building Service Employees	Waxer	\$13.50		<u>1</u>		View
Lewis	Building Service Employees	Window Cleaner	\$13.50		<u>1</u>		View
Lewis	Cabinet Makers (In Shop)	Journey Level	\$23.17		<u>1</u>		View
Lewis	Carpenters	Acoustical Worker	\$64.94	<u>7A</u>	<u>4C</u>		View
Lewis	Carpenters	Carpenter	\$64.94	<u>7A</u>	<u>4C</u>		View
Lewis	Carpenters	Carpenters on Stationary Tools	\$65.07	<u>7A</u>	<u>4C</u>		View
Lewis	Carpenters	Creosoted Material	\$65.07	<u>7A</u>	<u>4C</u>		View
Lewis	Carpenters	Floor Finisher	\$64.94	<u>7A</u>	<u>4C</u>		View
Lewis	Carpenters	Floor Layer	\$64.94	<u>7A</u>	<u>4C</u>		View
Lewis	Carpenters	Scaffold Erector	\$64.94	<u>7A</u>	<u>4C</u>		View
Lewis	Cement Masons	Application of all Composition Mastic	\$64.84	<u>7A</u>	<u>4U</u>		View
Lewis	Cement Masons	Application of all Epoxy Material	\$64.34	<u>7A</u>	<u>4U</u>		View
Lewis	Cement Masons	Application of all Plastic Material	\$64.84	<u>7A</u>	<u>4U</u>		View
Lewis	Cement Masons	Application of Sealing Compound	\$64.34	<u>7A</u>	<u>4U</u>		View
Lewis	Cement Masons	Application of Underlayment	\$64.84	<u>7A</u>	<u>4U</u>		View
Lewis	Cement Masons	Building General	\$64.34	<u>7A</u>	<u>4U</u>		View

Lewis	Cement Masons	Composition or Kalman Floors	\$64.84	7A	4U		View
Lewis	Cement Masons	Concrete Paving	\$64.34	7A	4U		View
Lewis	Cement Masons	Curb & Gutter Machine	\$64.84	7A	4U		View
Lewis	Cement Masons	Curb & Gutter, Sidewalks	\$64.34	7A	4U		View
Lewis	Cement Masons	Curing Concrete	\$64.34	7A	4U		View
Lewis	Cement Masons	Finish Colored Concrete	\$64.84	7A	4U		View
Lewis	Cement Masons	Floor Grinding	\$64.84	7A	4U		View
Lewis	Cement Masons	Floor Grinding/Polisher	\$64.34	7A	4U		View
Lewis	Cement Masons	Green Concrete Saw, self-powered	\$64.84	7A	4U		View
Lewis	Cement Masons	Grouting of all Plates	\$64.34	7A	4U		View
Lewis	Cement Masons	Grouting of all Tilt-up Panels	\$64.34	7A	4U		View
Lewis	Cement Masons	Gunite Nozzleman	\$64.84	7A	4U		View
Lewis	Cement Masons	Hand Powered Grinder	\$64.84	7A	4U		View
Lewis	Cement Masons	Journey Level	\$64.34	7A	4U		View
Lewis	Cement Masons	Patching Concrete	\$64.34	7A	4U		View
Lewis	Cement Masons	Pneumatic Power Tools	\$64.84	7A	4U		View
Lewis	Cement Masons	Power Chipping & Brushing	\$64.84	7A	4U		View
Lewis	Cement Masons	Sand Blasting Architectural Finish	\$64.84	7A	4U		View
Lewis	Cement Masons	Screed & Rodding Machine	\$64.84	7A	4U		View
Lewis	Cement Masons	Spackling or Skim Coat Concrete	\$64.34	7A	4U		View
Lewis	Cement Masons	Troweling Machine Operator	\$64.84	7A	4U		View
Lewis	Cement Masons	Troweling Machine Operator on Colored Slabs	\$64.84	7A	4U		View
Lewis	Cement Masons	Tunnel Workers	\$64.84	7A	4U		View
Lewis	Divers & Tenders	Bell/Vehicle or Submersible Operator (Not Under Pressure)	\$116.80	7A	4C		View
Lewis	Divers & Tenders	Dive Supervisor/Master	\$81.98	7A	4C		View
Lewis	Divers & Tenders	Diver	\$118.80	7A	4C	8V	View
Lewis	Divers & Tenders	Diver On Standby	\$76.98	7A	4C		View
Lewis	Divers & Tenders	Diver Tender	\$69.91	7A	4C		View
Lewis	Divers & Tenders	Manifold Operator	\$69.91	7A	4C		View
Lewis	Divers & Tenders	Manifold Operator Mixed Gas	\$74.91	7A	4C		View
Lewis	Divers & Tenders	Remote Operated Vehicle Operator/Technician	\$69.91	7A	4C		View
Lewis	Divers & Tenders	Remote Operated Vehicle Tender	\$65.19	7A	4C		View
Lewis	Dredge Workers	Assistant Engineer	\$70.62	5D	3F		View
Lewis	Dredge Workers	Assistant Mate (Deckhand)	\$70.07	5D	3F		View
Lewis	Dredge Workers	Boatmen	\$70.62	5D	3F		View
Lewis	Dredge Workers	Engineer Welder	\$71.97	5D	3F		View
Lewis	Dredge Workers	Leverman, Hydraulic	\$73.41	5D	3F		View

Lewis	Dredge Workers	Mates	\$70.62	5D	3F		View
Lewis	Dredge Workers	Oiler	\$70.07	5D	3F		View
Lewis	Drywall Applicator	Journey Level	\$64.94	5D	1H		View
Lewis	Drywall Tapers	Journey Level	\$65.31	5P	1E		View
Lewis	Electrical Fixture Maintenance Workers	Journey Level	\$13.50		1		View
Lewis	Electricians - Inside	Cable Splicer	\$77.53	5C	1G		View
Lewis	Electricians - Inside	Journey Level	\$72.56	5C	1G		View
Lewis	Electricians - Inside	Lead Covered Cable Splicer	\$82.51	5C	1G		View
Lewis	Electricians - Inside	Welder	\$77.53	5C	1G		View
Lewis	Electricians - Motor Shop	Craftsman	\$15.37		1		View
Lewis	Electricians - Motor Shop	Journey Level	\$14.69		1		View
Lewis	Electricians - Powerline Construction	Cable Splicer	\$82.39	5A	4D		View
Lewis	Electricians - Powerline Construction	Certified Line Welder	\$75.64	5A	4D		View
Lewis	Electricians - Powerline Construction	Groundperson	\$49.17	5A	4D		View
Lewis	Electricians - Powerline Construction	Heavy Line Equipment Operator	\$75.64	5A	4D		View
Lewis	Electricians - Powerline Construction	Journey Level Lineperson	\$75.64	5A	4D		View
Lewis	Electricians - Powerline Construction	Line Equipment Operator	\$64.54	5A	4D		View
Lewis	Electricians - Powerline Construction	Meter Installer	\$49.17	5A	4D	8W	View
Lewis	Electricians - Powerline Construction	Pole Sprayer	\$75.64	5A	4D		View
Lewis	Electricians - Powerline Construction	Powderperson	\$56.49	5A	4D		View
Lewis	Electronic Technicians	Journey Level	\$46.47	6Z	1B		View
Lewis	Elevator Constructors	Mechanic	\$97.31	7D	4A		View
Lewis	Elevator Constructors	Mechanic In Charge	\$105.06	7D	4A		View
Lewis	Fabricated Precast Concrete Products	Journey Level	\$13.50		1		View
Lewis	Fabricated Precast Concrete Products	Journey Level - In-Factory Work Only	\$13.50		1		View
Lewis	Fence Erectors	Fence Erector	\$44.40	7A	4V	8Y	View
Lewis	Fence Erectors	Fence Laborer	\$44.40	7A	4V	8Y	View
Lewis	Flaggers	Journey Level	\$44.40	7A	4V	8Y	View
Lewis	Glaziers	Journey Level	\$69.26	7L	1Y		View
Lewis	Heat & Frost Insulators And Asbestos Workers	Journeyman	\$79.43	5J	4H		View
Lewis	Heating Equipment Mechanics	Journey Level	\$89.61	7F	1E		View
Lewis	Hod Carriers & Mason Tenders	Journey Level	\$54.01	7A	4V	8Y	View
Lewis	Industrial Power Vacuum Cleaner	Journey Level	\$13.50		1		View

Lewis	Inland Boatmen	Boat Operator	\$61.41	5B	1K		View
Lewis	Inland Boatmen	Cook	\$56.48	5B	1K		View
Lewis	Inland Boatmen	Deckhand	\$57.48	5B	1K		View
Lewis	Inland Boatmen	Deckhand Engineer	\$58.81	5B	1K		View
Lewis	Inland Boatmen	Launch Operator	\$58.89	5B	1K		View
Lewis	Inland Boatmen	Mate	\$57.31	5B	1K		View
Lewis	Inspection/Cleaning/Sealing Of Sewer & Water Systems By Remote Control	Cleaner Operator, Foamer Operator	\$13.50		1		View
Lewis	Inspection/Cleaning/Sealing Of Sewer & Water Systems By Remote Control	Grout Truck Operator	\$13.50		1		View
Lewis	Inspection/Cleaning/Sealing Of Sewer & Water Systems By Remote Control	Head Operator	\$13.50		1		View
Lewis	Inspection/Cleaning/Sealing Of Sewer & Water Systems By Remote Control	Technician	\$13.50		1		View
Lewis	Inspection/Cleaning/Sealing Of Sewer & Water Systems By Remote Control	Tv Truck Operator	\$13.50		1		View
Lewis	Insulation Applicators	Journey Level	\$64.94	7A	4C		View
Lewis	Ironworkers	Journeyman	\$75.23	7N	1O		View
Lewis	Laborers	Air, Gas Or Electric Vibrating Screed	\$52.39	7A	4V	8Y	View
Lewis	Laborers	Airtrac Drill Operator	\$54.01	7A	4V	8Y	View
Lewis	Laborers	Ballast Regular Machine	\$52.39	7A	4V	8Y	View
Lewis	Laborers	Batch Weighman	\$44.40	7A	4V	8Y	View
Lewis	Laborers	Brick Pavers	\$52.39	7A	4V	8Y	View
Lewis	Laborers	Brush Cutter	\$52.39	7A	4V	8Y	View
Lewis	Laborers	Brush Hog Feeder	\$52.39	7A	4V	8Y	View
Lewis	Laborers	Burner	\$52.39	7A	4V	8Y	View
Lewis	Laborers	Caisson Worker	\$54.01	7A	4V	8Y	View
Lewis	Laborers	Carpenter Tender	\$52.39	7A	4V	8Y	View
Lewis	Laborers	Cement Dumper-paving	\$53.35	7A	4V	8Y	View
Lewis	Laborers	Cement Finisher Tender	\$52.39	7A	4V	8Y	View
Lewis	Laborers	Change House Or Dry Shack	\$52.39	7A	4V	8Y	View
Lewis	Laborers	Chipping Gun (30 Lbs. And Over)	\$53.35	7A	4V	8Y	View
Lewis	Laborers	Chipping Gun (Under 30 Lbs.)	\$52.39	7A	4V	8Y	View
Lewis	Laborers	Choker Setter	\$52.39	7A	4V	8Y	View
Lewis	Laborers	Chuck Tender	\$52.39	7A	4V	8Y	View
Lewis	Laborers	Clary Power Spreader	\$53.35	7A	4V	8Y	View
Lewis	Laborers	Clean-up Laborer	\$52.39	7A	4V	8Y	View
Lewis	Laborers	Concrete Dumper/Chute Operator	\$53.35	7A	4V	8Y	View
Lewis	Laborers	Concrete Form Stripper	\$52.39	7A	4V	8Y	View
Lewis	Laborers	Concrete Placement Crew	\$53.35	7A	4V	8Y	View

Lewis	Laborers	Concrete Saw Operator/Core Driller	\$53.35	7A	4V	8Y	View
Lewis	Laborers	Crusher Feeder	\$44.40	7A	4V	8Y	View
Lewis	Laborers	Curing Laborer	\$52.39	7A	4V	8Y	View
Lewis	Laborers	Demolition: Wrecking & Moving (Incl. Charred Material)	\$52.39	7A	4V	8Y	View
Lewis	Laborers	Ditch Digger	\$52.39	7A	4V	8Y	View
Lewis	Laborers	Diver	\$54.01	7A	4V	8Y	View
Lewis	Laborers	Drill Operator (Hydraulic, Diamond)	\$53.35	7A	4V	8Y	View
Lewis	Laborers	Dry Stack Walls	\$52.39	7A	4V	8Y	View
Lewis	Laborers	Dump Person	\$52.39	7A	4V	8Y	View
Lewis	Laborers	Epoxy Technician	\$52.39	7A	4V	8Y	View
Lewis	Laborers	Erosion Control Worker	\$52.39	7A	4V	8Y	View
Lewis	Laborers	Faller & Bucker Chain Saw	\$53.35	7A	4V	8Y	View
Lewis	Laborers	Fine Graders	\$52.39	7A	4V	8Y	View
Lewis	Laborers	Firewatch	\$44.40	7A	4V	8Y	View
Lewis	Laborers	Form Setter	\$52.39	7A	4V	8Y	View
Lewis	Laborers	Gabian Basket Builders	\$52.39	7A	4V	8Y	View
Lewis	Laborers	General Laborer	\$52.39	7A	4V	8Y	View
Lewis	Laborers	Grade Checker & Transit Person	\$54.01	7A	4V	8Y	View
Lewis	Laborers	Grinders	\$52.39	7A	4V	8Y	View
Lewis	Laborers	Grout Machine Tender	\$52.39	7A	4V	8Y	View
Lewis	Laborers	Groutmen (Pressure) Including Post Tension Beams	\$53.35	7A	4V	8Y	View
Lewis	Laborers	Guardrail Erector	\$52.39	7A	4V	8Y	View
Lewis	Laborers	Hazardous Waste Worker (Level A)	\$54.01	7A	4V	8Y	View
Lewis	Laborers	Hazardous Waste Worker (Level B)	\$53.35	7A	4V	8Y	View
Lewis	Laborers	Hazardous Waste Worker (Level C)	\$52.39	7A	4V	8Y	View
Lewis	Laborers	High Scaler	\$54.01	7A	4V	8Y	View
Lewis	Laborers	Jackhammer	\$53.35	7A	4V	8Y	View
Lewis	Laborers	Laserbeam Operator	\$53.35	7A	4V	8Y	View
Lewis	Laborers	Maintenance Person	\$52.39	7A	4V	8Y	View
Lewis	Laborers	Manhole Builder-Mudman	\$53.35	7A	4V	8Y	View
Lewis	Laborers	Material Yard Person	\$52.39	7A	4V	8Y	View
Lewis	Laborers	Motorman-Dinky Locomotive	\$53.35	7A	4V	8Y	View
Lewis	Laborers	Nozzleman (Concrete Pump, Green Cutter When Using Combination Of High Pressure Air & Water On Concrete & Rock, Sandblast, Gunite, Shotcrete, Water Blaster, Vacuum Blaster)	\$53.35	7A	4V	8Y	View

Lewis	Laborers	Pavement Breaker	\$53.35	<u>7A</u>	<u>4V</u>	<u>8Y</u>	View
Lewis	Laborers	Pilot Car	\$44.40	<u>7A</u>	<u>4V</u>	<u>8Y</u>	View
Lewis	Laborers	Pipe Layer Lead	\$54.01	<u>7A</u>	<u>4V</u>	<u>8Y</u>	View
Lewis	Laborers	Pipe Layer/Tailor	\$53.35	<u>7A</u>	<u>4V</u>	<u>8Y</u>	View
Lewis	Laborers	Pipe Pot Tender	\$53.35	<u>7A</u>	<u>4V</u>	<u>8Y</u>	View
Lewis	Laborers	Pipe Reliner	\$53.35	<u>7A</u>	<u>4V</u>	<u>8Y</u>	View
Lewis	Laborers	Pipe Wrapper	\$53.35	<u>7A</u>	<u>4V</u>	<u>8Y</u>	View
Lewis	Laborers	Pot Tender	\$52.39	<u>7A</u>	<u>4V</u>	<u>8Y</u>	View
Lewis	Laborers	Powderman	\$54.01	<u>7A</u>	<u>4V</u>	<u>8Y</u>	View
Lewis	Laborers	Powderman's Helper	\$52.39	<u>7A</u>	<u>4V</u>	<u>8Y</u>	View
Lewis	Laborers	Power Jacks	\$53.35	<u>7A</u>	<u>4V</u>	<u>8Y</u>	View
Lewis	Laborers	Railroad Spike Puller - Power	\$53.35	<u>7A</u>	<u>4V</u>	<u>8Y</u>	View
Lewis	Laborers	Raker - Asphalt	\$54.01	<u>7A</u>	<u>4V</u>	<u>8Y</u>	View
Lewis	Laborers	Re-timberman	\$54.01	<u>7A</u>	<u>4V</u>	<u>8Y</u>	View
Lewis	Laborers	Remote Equipment Operator	\$53.35	<u>7A</u>	<u>4V</u>	<u>8Y</u>	View
Lewis	Laborers	Rigger/Signal Person	\$53.35	<u>7A</u>	<u>4V</u>	<u>8Y</u>	View
Lewis	Laborers	Rip Rap Person	\$52.39	<u>7A</u>	<u>4V</u>	<u>8Y</u>	View
Lewis	Laborers	Rivet Buster	\$53.35	<u>7A</u>	<u>4V</u>	<u>8Y</u>	View
Lewis	Laborers	Rodder	\$53.35	<u>7A</u>	<u>4V</u>	<u>8Y</u>	View
Lewis	Laborers	Scaffold Erector	\$52.39	<u>7A</u>	<u>4V</u>	<u>8Y</u>	View
Lewis	Laborers	Scale Person	\$52.39	<u>7A</u>	<u>4V</u>	<u>8Y</u>	View
Lewis	Laborers	Sloper (Over 20")	\$53.35	<u>7A</u>	<u>4V</u>	<u>8Y</u>	View
Lewis	Laborers	Sloper Sprayer	\$52.39	<u>7A</u>	<u>4V</u>	<u>8Y</u>	View
Lewis	Laborers	Spreader (Concrete)	\$53.35	<u>7A</u>	<u>4V</u>	<u>8Y</u>	View
Lewis	Laborers	Stake Hopper	\$52.39	<u>7A</u>	<u>4V</u>	<u>8Y</u>	View
Lewis	Laborers	Stock Piler	\$52.39	<u>7A</u>	<u>4V</u>	<u>8Y</u>	View
Lewis	Laborers	Swinging Stage/Boatswain Chair	\$44.40	<u>7A</u>	<u>4V</u>	<u>8Y</u>	View
Lewis	Laborers	Tamper & Similar Electric, Air & Gas Operated Tools	\$53.35	<u>7A</u>	<u>4V</u>	<u>8Y</u>	View
Lewis	Laborers	Tamper (Multiple & Self-propelled)	\$53.35	<u>7A</u>	<u>4V</u>	<u>8Y</u>	View
Lewis	Laborers	Timber Person - Sewer (Lagger, Shorer & Cribber)	\$53.35	<u>7A</u>	<u>4V</u>	<u>8Y</u>	View
Lewis	Laborers	Toolroom Person (at Jobsite)	\$52.39	<u>7A</u>	<u>4V</u>	<u>8Y</u>	View
Lewis	Laborers	Topper	\$52.39	<u>7A</u>	<u>4V</u>	<u>8Y</u>	View
Lewis	Laborers	Track Laborer	\$52.39	<u>7A</u>	<u>4V</u>	<u>8Y</u>	View
Lewis	Laborers	Track Liner (Power)	\$53.35	<u>7A</u>	<u>4V</u>	<u>8Y</u>	View
Lewis	Laborers	Traffic Control Laborer	\$47.48	<u>7A</u>	<u>4V</u>	<u>9C</u>	View
Lewis	Laborers	Traffic Control Supervisor	\$50.31	<u>7A</u>	<u>4V</u>	<u>9C</u>	View
Lewis	Laborers	Truck Spotter	\$52.39	<u>7A</u>	<u>4V</u>	<u>8Y</u>	View
Lewis	Laborers	Tugger Operator	\$53.35	<u>7A</u>	<u>4V</u>	<u>8Y</u>	View
Lewis	Laborers	Tunnel Work-Compressed Air Worker 0-30 psi	\$129.67	<u>7A</u>	<u>4V</u>	<u>9B</u>	View
Lewis	Laborers	Tunnel Work-Compressed Air Worker 30.01-44.00	\$134.70	<u>7A</u>	<u>4V</u>	<u>9B</u>	View

		psi					
Lewis	Laborers	Tunnel Work-Compressed Air Worker 44.01-54.00 psi	\$138.38	<u>7A</u>	<u>4V</u>	<u>9B</u>	View
Lewis	Laborers	Tunnel Work-Compressed Air Worker 54.01-60.00 psi	\$144.08	<u>7A</u>	<u>4V</u>	<u>9B</u>	View
Lewis	Laborers	Tunnel Work-Compressed Air Worker 60.01-64.00 psi	\$146.20	<u>7A</u>	<u>4V</u>	<u>9B</u>	View
Lewis	Laborers	Tunnel Work-Compressed Air Worker 64.01-68.00 psi	\$151.30	<u>7A</u>	<u>4V</u>	<u>9B</u>	View
Lewis	Laborers	Tunnel Work-Compressed Air Worker 68.01-70.00 psi	\$153.20	<u>7A</u>	<u>4V</u>	<u>9B</u>	View
Lewis	Laborers	Tunnel Work-Compressed Air Worker 70.01-72.00 psi	\$155.20	<u>7A</u>	<u>4V</u>	<u>9B</u>	View
Lewis	Laborers	Tunnel Work-Compressed Air Worker 72.01-74.00 psi	\$157.20	<u>7A</u>	<u>4V</u>	<u>9B</u>	View
Lewis	Laborers	Tunnel Work-Guage and Lock Tender	\$54.11	<u>7A</u>	<u>4V</u>	<u>8Y</u>	View
Lewis	Laborers	Tunnel Work-Miner	\$54.11	<u>7A</u>	<u>4V</u>	<u>8Y</u>	View
Lewis	Laborers	Vibrator	\$53.35	<u>7A</u>	<u>4V</u>	<u>8Y</u>	View
Lewis	Laborers	Vinyl Seamer	\$52.39	<u>7A</u>	<u>4V</u>	<u>8Y</u>	View
Lewis	Laborers	Watchman	\$40.36	<u>7A</u>	<u>4V</u>	<u>8Y</u>	View
Lewis	Laborers	Welder	\$53.35	<u>7A</u>	<u>4V</u>	<u>8Y</u>	View
Lewis	Laborers	Well Point Laborer	\$53.35	<u>7A</u>	<u>4V</u>	<u>8Y</u>	View
Lewis	Laborers	Window Washer/Cleaner	\$40.36	<u>7A</u>	<u>4V</u>	<u>8Y</u>	View
Lewis	Laborers - Underground Sewer & Water	General Laborer & Topman	\$52.39	<u>7A</u>	<u>4V</u>	<u>8Y</u>	View
Lewis	Laborers - Underground Sewer & Water	Pipe Layer	\$53.35	<u>7A</u>	<u>4V</u>	<u>8Y</u>	View
Lewis	Landscape Construction	Landscape Construction/Landscaping Or Planting Laborers	\$40.36	<u>7A</u>	<u>4V</u>	<u>8Y</u>	View
Lewis	Landscape Construction	Landscape Operator	\$69.02	<u>7A</u>	<u>3K</u>	<u>8X</u>	View
Lewis	Landscape Maintenance	Groundskeeper	\$13.50		<u>1</u>		View
Lewis	Lathers	Journey Level	\$64.94	<u>5D</u>	<u>1H</u>		View
Lewis	Marble Setters	Journey Level	\$60.57	<u>7E</u>	<u>1N</u>		View
Lewis	Metal Fabrication (In Shop)	Fitter	\$15.16		<u>1</u>		View
Lewis	Metal Fabrication (In Shop)	Laborer	\$13.50		<u>1</u>		View
Lewis	Metal Fabrication (In Shop)	Machine Operator	\$13.50		<u>1</u>		View
Lewis	Metal Fabrication (In Shop)	Painter	\$13.50		<u>1</u>		View
Lewis	Metal Fabrication (In Shop)	Welder	\$15.16		<u>1</u>		View
Lewis	Millwright	Journey Level	\$66.44	<u>7A</u>	<u>4C</u>		View
Lewis	Modular Buildings	Cabinet Assembly	\$13.50		<u>1</u>		View
Lewis	Modular Buildings	Electrician	\$13.50		<u>1</u>		View
Lewis	Modular Buildings	Equipment Maintenance	\$13.50		<u>1</u>		View

Lewis	Modular Buildings	Plumber	\$13.50		<u>1</u>		View
Lewis	Modular Buildings	Production Worker	\$13.50		<u>1</u>		View
Lewis	Modular Buildings	Tool Maintenance	\$13.50		<u>1</u>		View
Lewis	Modular Buildings	Utility Person	\$13.50		<u>1</u>		View
Lewis	Modular Buildings	Welder	\$13.50		<u>1</u>		View
Lewis	Painters	Journey Level	\$43.40	<u>6Z</u>	<u>2B</u>		View
Lewis	Pile Driver	Crew Tender	\$69.91	<u>7A</u>	<u>4C</u>		View
Lewis	Pile Driver	Crew Tender/Technician	\$69.91	<u>7A</u>	<u>4C</u>		View
Lewis	Pile Driver	Hyperbaric Worker - Compressed Air Worker 0- 30.00 PSI	\$80.76	<u>7A</u>	<u>4C</u>		View
Lewis	Pile Driver	Hyperbaric Worker - Compressed Air Worker 30.01 - 44.00 PSI	\$85.76	<u>7A</u>	<u>4C</u>		View
Lewis	Pile Driver	Hyperbaric Worker - Compressed Air Worker 44.01 - 54.00 PSI	\$89.76	<u>7A</u>	<u>4C</u>		View
Lewis	Pile Driver	Hyperbaric Worker - Compressed Air Worker 54.01 - 60.00 PSI	\$94.76	<u>7A</u>	<u>4C</u>		View
Lewis	Pile Driver	Hyperbaric Worker - Compressed Air Worker 60.01 - 64.00 PSI	\$97.26	<u>7A</u>	<u>4C</u>		View
Lewis	Pile Driver	Hyperbaric Worker - Compressed Air Worker 64.01 - 68.00 PSI	\$102.26	<u>7A</u>	<u>4C</u>		View
Lewis	Pile Driver	Hyperbaric Worker - Compressed Air Worker 68.01 - 70.00 PSI	\$104.26	<u>7A</u>	<u>4C</u>		View
Lewis	Pile Driver	Hyperbaric Worker - Compressed Air Worker 70.01 - 72.00 PSI	\$106.26	<u>7A</u>	<u>4C</u>		View
Lewis	Pile Driver	Hyperbaric Worker - Compressed Air Worker 72.01 - 74.00 PSI	\$108.26	<u>7A</u>	<u>4C</u>		View
Lewis	Pile Driver	Journey Level	\$65.19	<u>7A</u>	<u>4C</u>		View
Lewis	Plasterers	Journey Level	\$61.67	<u>7Q</u>	<u>1R</u>		View
Lewis	Playground & Park Equipment Installers	Journey Level	\$13.50		<u>1</u>		View
Lewis	Plumbers & Pipefitters	Journey Level	\$77.97	<u>5A</u>	<u>1G</u>		View
Lewis	Power Equipment Operators	Asphalt Plant Operator	\$70.17	<u>7A</u>	<u>3K</u>	<u>8X</u>	View
Lewis	Power Equipment Operators	Assistant Engineer	\$66.30	<u>7A</u>	<u>3K</u>	<u>8P</u>	View
Lewis	Power Equipment Operators	Barrier Machine (zipper)	\$69.55	<u>7A</u>	<u>3K</u>	<u>8X</u>	View
Lewis	Power Equipment Operators	Batch Plant Operator: Concrete	\$69.55	<u>7A</u>	<u>3K</u>	<u>8X</u>	View
Lewis	Power Equipment Operators	Bobcat	\$66.01	<u>7A</u>	<u>3K</u>	<u>8X</u>	View
Lewis	Power Equipment Operators	Brokk - Remote Demolition Equipment	\$66.01	<u>7A</u>	<u>3K</u>	<u>8X</u>	View
Lewis	Power Equipment Operators	Brooms	\$66.01	<u>7A</u>	<u>3K</u>	<u>8X</u>	View
Lewis	Power Equipment Operators	Bump Cutter	\$69.55	<u>7A</u>	<u>3K</u>	<u>8X</u>	View
Lewis	Power Equipment Operators	Cableways	\$70.17	<u>7A</u>	<u>3K</u>	<u>8X</u>	View

Lewis	Power Equipment Operators	Chipper	\$69.55	7A	3K	8X	View
Lewis	Power Equipment Operators	Compressor	\$66.01	7A	3K	8X	View
Lewis	Power Equipment Operators	Concrete Pump: Truck Mount With Boom Attachment Over 42m	\$70.17	7A	3K	8X	View
Lewis	Power Equipment Operators	Concrete Finish Machine - laser Screed	\$66.01	7A	3K	8X	View
Lewis	Power Equipment Operators	Concrete Pump - Mounted Or Trailer High Pressure Line Pump, Pump High Pressure	\$69.02	7A	3K	8X	View
Lewis	Power Equipment Operators	Concrete Pump: Truck Mount With Boom Attachment Up To 42m	\$69.55	7A	3K	8X	View
Lewis	Power Equipment Operators	Conveyors	\$69.02	7A	3K	8X	View
Lewis	Power Equipment Operators	Cranes Friction: 200 tons and over	\$72.63	7A	3K	8P	View
Lewis	Power Equipment Operators	Cranes, A-frame: 10 tons and under	\$66.30	7A	3K	8P	View
Lewis	Power Equipment Operators	Cranes: 100 tons through 199 tons, or 150' of boom (including jib with attachments)	\$71.20	7A	3K	8P	View
Lewis	Power Equipment Operators	Cranes: 20 tons through 44 tons with attachments	\$69.87	7A	3K	8P	View
Lewis	Power Equipment Operators	Cranes: 200 tons- 299 tons, or 250' of boom including jib with attachments	\$71.93	7A	3K	8P	View
Lewis	Power Equipment Operators	Cranes: 300 tons and over or 300' of boom including jib with attachments	\$72.63	7A	3K	8P	View
Lewis	Power Equipment Operators	Cranes: 45 tons through 99 tons, under 150' of boom(including jib with attachments)	\$70.49	7A	3K	8P	View
Lewis	Power Equipment Operators	Cranes: Friction cranes through 199 tons	\$71.93	7A	3K	8P	View
Lewis	Power Equipment Operators	Cranes: through 19 tons with attachments, A-frame over 10 tons	\$69.33	7A	3K	8P	View
Lewis	Power Equipment Operators	Crusher	\$69.55	7A	3K	8X	View
Lewis	Power Equipment Operators	Deck Engineer/deck Winches (power)	\$69.55	7A	3K	8X	View
Lewis	Power Equipment Operators	Derricks: on building work	\$70.49	7A	3K	8P	View
Lewis	Power Equipment Operators	Dozers D-9 & Under	\$69.02	7A	3K	8X	View
Lewis	Power Equipment Operators	Drill Oilers: Auger Type, Truck Or Crane Mount	\$69.02	7A	3K	8X	View
Lewis	Power Equipment Operators	Drilling Machine	\$70.88	7A	3K	8X	View
Lewis	Power Equipment Operators	Elevator and man-lift: permanent and shaft type	\$66.30	7A	3K	8P	View
Lewis	Power Equipment Operators	Finishing Machine, Bidwell And Gamaco & Similar Equipment	\$69.55	7A	3K	8X	View

Lewis	Power Equipment Operators	Forklift: 3000 lbs and over with attachments	\$69.33	7A	3K	8P	View
Lewis	Power Equipment Operators	Forklift: 3000 Lbs And Over With Attachments	\$69.02	7A	3K	8X	View
Lewis	Power Equipment Operators	Forklifts: under 3000 lbs. with attachments	\$66.30	7A	3K	8P	View
Lewis	Power Equipment Operators	Grade Engineer: Using Blueprints, Cut Sheets,etc.	\$69.55	7A	3K	8X	View
Lewis	Power Equipment Operators	Gradechecker/stakeman	\$66.01	7A	3K	8X	View
Lewis	Power Equipment Operators	Guardrail punch/Auger	\$69.55	7A	3K	8X	View
Lewis	Power Equipment Operators	Hard Tail End Dump Articulating Off- Road Equipment 45 Yards. & Over	\$70.17	7A	3K	8X	View
Lewis	Power Equipment Operators	Hard Tail End Dump Articulating Off-road Equipment Under 45 Yards	\$69.55	7A	3K	8X	View
Lewis	Power Equipment Operators	Horizontal/directional Drill Locator	\$69.02	7A	3K	8X	View
Lewis	Power Equipment Operators	Horizontal/directional Drill Operator	\$69.55	7A	3K	8X	View
Lewis	Power Equipment Operators	Hydralifts/boom trucks: 10 tons and under	\$66.30	7A	3K	8P	View
Lewis	Power Equipment Operators	Hydralifts/boom trucks: over 10 tons	\$69.33	7A	3K	8P	View
Lewis	Power Equipment Operators	Loader, Overhead 8 Yards. & Over	\$70.88	7A	3K	8X	View
Lewis	Power Equipment Operators	Loader, Overhead, 6 Yards. But Not Including 8 Yards	\$70.17	7A	3K	8X	View
Lewis	Power Equipment Operators	Loaders, Overhead Under 6 Yards	\$69.55	7A	3K	8X	View
Lewis	Power Equipment Operators	Loaders, Plant Feed	\$69.55	7A	3K	8X	View
Lewis	Power Equipment Operators	Loaders: Elevating Type Belt	\$69.02	7A	3K	8X	View
Lewis	Power Equipment Operators	Locomotives, All	\$69.55	7A	3K	8X	View
Lewis	Power Equipment Operators	Material Transfer Device	\$69.55	7A	3K	8X	View
Lewis	Power Equipment Operators	Mechanics: all (Leadmen - \$0.50 per hour over mechanic)	\$71.20	7A	3K	8P	View
Lewis	Power Equipment Operators	Motor patrol graders	\$70.17	7A	3K	8X	View
Lewis	Power Equipment Operators	Mucking Machine, Mole, Tunnel Drill, Boring, Road Header And/or Shield	\$70.17	7A	3K	8X	View
Lewis	Power Equipment Operators	Oil Distributors, Blower Distribution & Mulch Seeding Operator	\$66.01	7A	3K	8X	View
Lewis	Power Equipment Operators	Outside Hoists (elevators and manlifts), Air Tuggers, Strato	\$69.33	7A	3K	8P	View
Lewis	Power Equipment Operators	Overhead, bridge type Crane: 20 tons through 44	\$69.87	7A	3K	8P	View

		tons					
Lewis	Power Equipment Operators	Overhead, Bridge Type Crane: 20 Tons Through 44 Tons	\$69.55	<u>7A</u>	<u>3K</u>	<u>8X</u>	View
Lewis	Power Equipment Operators	Overhead, bridge type: 100 tons and over	\$71.20	<u>7A</u>	<u>3K</u>	<u>8P</u>	View
Lewis	Power Equipment Operators	Overhead, bridge type: 45 tons through 99 tons	\$70.49	<u>7A</u>	<u>3K</u>	<u>8P</u>	View
Lewis	Power Equipment Operators	Pavement Breaker	\$66.01	<u>7A</u>	<u>3K</u>	<u>8X</u>	View
Lewis	Power Equipment Operators	Pile Driver (other Than Crane Mount)	\$69.55	<u>7A</u>	<u>3K</u>	<u>8X</u>	View
Lewis	Power Equipment Operators	Plant Oiler - Asphalt, Crusher	\$69.02	<u>7A</u>	<u>3K</u>	<u>8X</u>	View
Lewis	Power Equipment Operators	Posthole Digger, Mechanical	\$66.01	<u>7A</u>	<u>3K</u>	<u>8X</u>	View
Lewis	Power Equipment Operators	Power Plant	\$66.01	<u>7A</u>	<u>3K</u>	<u>8X</u>	View
Lewis	Power Equipment Operators	Pumps - Water	\$66.01	<u>7A</u>	<u>3K</u>	<u>8X</u>	View
Lewis	Power Equipment Operators	Quad 9, HD 41, D10 And Over	\$70.17	<u>7A</u>	<u>3K</u>	<u>8X</u>	View
Lewis	Power Equipment Operators	Quick Tower: no cab, under 100 feet in height based to boom	\$66.30	<u>7A</u>	<u>3K</u>	<u>8P</u>	View
Lewis	Power Equipment Operators	Remote Control Operator On Rubber Tired Earth Moving Equipment	\$70.17	<u>7A</u>	<u>3K</u>	<u>8X</u>	View
Lewis	Power Equipment Operators	Rigger and Bellman	\$66.30	<u>7A</u>	<u>3K</u>	<u>8P</u>	View
Lewis	Power Equipment Operators	Rigger/Signal Person, Bellman(Certified)	\$69.33	<u>7A</u>	<u>3K</u>	<u>8P</u>	View
Lewis	Power Equipment Operators	Rollagon	\$70.17	<u>7A</u>	<u>3K</u>	<u>8X</u>	View
Lewis	Power Equipment Operators	Roller, Other Than Plant Mix	\$66.01	<u>7A</u>	<u>3K</u>	<u>8X</u>	View
Lewis	Power Equipment Operators	Roller, Plant Mix Or Multi-lift Materials	\$69.02	<u>7A</u>	<u>3K</u>	<u>8X</u>	View
Lewis	Power Equipment Operators	Roto-mill, Roto-grinder	\$69.55	<u>7A</u>	<u>3K</u>	<u>8X</u>	View
Lewis	Power Equipment Operators	Saws - Concrete	\$69.02	<u>7A</u>	<u>3K</u>	<u>8X</u>	View
Lewis	Power Equipment Operators	Scraper, Self Propelled Under 45 Yards	\$69.55	<u>7A</u>	<u>3K</u>	<u>8X</u>	View
Lewis	Power Equipment Operators	Scrapers - Concrete & Carry All	\$69.02	<u>7A</u>	<u>3K</u>	<u>8X</u>	View
Lewis	Power Equipment Operators	Scrapers, Self-propelled: 45 Yards And Over	\$70.17	<u>7A</u>	<u>3K</u>	<u>8X</u>	View
Lewis	Power Equipment Operators	Service Engineers: equipment	\$69.33	<u>7A</u>	<u>3K</u>	<u>8P</u>	View
Lewis	Power Equipment Operators	Shotcrete/gunite Equipment	\$66.01	<u>7A</u>	<u>3K</u>	<u>8X</u>	View
Lewis	Power Equipment Operators	Shovel, Excavator, Backhoe, Tractors Under 15 Metric Tons	\$69.02	<u>7A</u>	<u>3K</u>	<u>8X</u>	View
Lewis	Power Equipment Operators	Shovel, Excavator, Backhoe: Over 30 Metric Tons To 50 Metric Tons	\$70.17	<u>7A</u>	<u>3K</u>	<u>8X</u>	View
Lewis	Power Equipment Operators	Shovel, Excavator,	\$69.55	<u>7A</u>	<u>3K</u>	<u>8X</u>	View

		Backhoes, Tractors: 15 To 30 Metric Tons					
Lewis	Power Equipment Operators	Shovel, Excavator, Backhoes: Over 50 Metric Tons To 90 Metric Tons	\$70.88	7A	3K	8X	View
Lewis	Power Equipment Operators	Shovel, Excavator, Backhoes: Over 90 Metric Tons	\$71.60	7A	3K	8X	View
Lewis	Power Equipment Operators	Slipform Pavers	\$70.17	7A	3K	8X	View
Lewis	Power Equipment Operators	Spreader, Topsider & Screedman	\$70.17	7A	3K	8X	View
Lewis	Power Equipment Operators	Subgrader Trimmer	\$69.55	7A	3K	8X	View
Lewis	Power Equipment Operators	Tower Bucket Elevators	\$69.02	7A	3K	8X	View
Lewis	Power Equipment Operators	Tower Crane: over 175' through 250' in height, base to boom	\$71.93	7A	3K	8P	View
Lewis	Power Equipment Operators	Tower crane: up to 175' in height base to boom	\$71.20	7A	3K	8P	View
Lewis	Power Equipment Operators	Tower Cranes: over 250' in height from base to boom.	\$72.63	7A	3K	8P	View
Lewis	Power Equipment Operators	Transporters, All Track Or Truck Type	\$70.17	7A	3K	8X	View
Lewis	Power Equipment Operators	Trenching Machines	\$69.02	7A	3K	8X	View
Lewis	Power Equipment Operators	Truck Crane Oiler/Driver: 100 tons and over	\$69.87	7A	3K	8P	View
Lewis	Power Equipment Operators	Truck crane oiler/driver: under 100 tons	\$69.33	7A	3K	8P	View
Lewis	Power Equipment Operators	Truck Mount Portable Conveyor	\$69.55	7A	3K	8X	View
Lewis	Power Equipment Operators	Welder	\$70.49	7A	3K	8P	View
Lewis	Power Equipment Operators	Wheel Tractors, Farmall Type	\$66.01	7A	3K	8X	View
Lewis	Power Equipment Operators	Yo Yo Pay Dozer	\$69.55	7A	3K	8X	View
Lewis	Power Equipment Operators- Underground Sewer & Water	Asphalt Plant Operator	\$70.17	7A	3K	8X	View
Lewis	Power Equipment Operators- Underground Sewer & Water	Assistant Engineer	\$66.30	7A	3K	8P	View
Lewis	Power Equipment Operators- Underground Sewer & Water	Barrier Machine (zipper)	\$69.55	7A	3K	8X	View
Lewis	Power Equipment Operators- Underground Sewer & Water	Batch Plant Operator: Concrete	\$69.55	7A	3K	8X	View
Lewis	Power Equipment Operators- Underground Sewer & Water	Bobcat	\$66.01	7A	3K	8X	View
Lewis	Power Equipment Operators- Underground Sewer & Water	Brokk - Remote Demolition Equipment	\$66.01	7A	3K	8X	View
Lewis	Power Equipment	Brooms	\$66.01	7A	3K	8X	View

	Operators- Underground Sewer & Water						
Lewis	Power Equipment Operators- Underground Sewer & Water	Bump Cutter	\$69.55	7A	3K	8X	View
Lewis	Power Equipment Operators- Underground Sewer & Water	Cableways	\$70.17	7A	3K	8X	View
Lewis	Power Equipment Operators- Underground Sewer & Water	Chipper	\$69.55	7A	3K	8X	View
Lewis	Power Equipment Operators- Underground Sewer & Water	Compressor	\$66.01	7A	3K	8X	View
Lewis	Power Equipment Operators- Underground Sewer & Water	Concrete Pump: Truck Mount With Boom Attachment Over 42m	\$70.17	7A	3K	8X	View
Lewis	Power Equipment Operators- Underground Sewer & Water	Concrete Finish Machine - laser Screed	\$66.01	7A	3K	8X	View
Lewis	Power Equipment Operators- Underground Sewer & Water	Concrete Pump - Mounted Or Trailer High Pressure Line Pump, Pump High Pressure	\$69.02	7A	3K	8X	View
Lewis	Power Equipment Operators- Underground Sewer & Water	Concrete Pump: Truck Mount With Boom Attachment Up To 42m	\$69.55	7A	3K	8X	View
Lewis	Power Equipment Operators- Underground Sewer & Water	Conveyors	\$69.02	7A	3K	8X	View
Lewis	Power Equipment Operators- Underground Sewer & Water	Cranes Friction: 200 tons and over	\$72.63	7A	3K	8P	View
Lewis	Power Equipment Operators- Underground Sewer & Water	Cranes, A-frame: 10 tons and under	\$66.30	7A	3K	8P	View
Lewis	Power Equipment Operators- Underground Sewer & Water	Cranes: 100 tons through 199 tons, or 150' of boom (including jib with attachments)	\$71.20	7A	3K	8P	View
Lewis	Power Equipment Operators- Underground Sewer & Water	Cranes: 20 tons through 44 tons with attachments	\$69.87	7A	3K	8P	View
Lewis	Power Equipment Operators- Underground Sewer & Water	Cranes: 200 tons- 299 tons, or 250' of boom including jib with attachments	\$71.93	7A	3K	8P	View
Lewis	Power Equipment Operators- Underground Sewer & Water	Cranes: 300 tons and over or 300' of boom including jib with attachments	\$72.63	7A	3K	8P	View
Lewis	Power Equipment Operators- Underground Sewer & Water	Cranes: 45 tons through 99 tons, under 150' of boom(including jib with attachments)	\$70.49	7A	3K	8P	View
Lewis	Power Equipment	Cranes: Friction cranes	\$71.93	7A	3K	8P	View

	Operators- Underground Sewer & Water	through 199 tons					
Lewis	Power Equipment Operators- Underground Sewer & Water	Cranes: through 19 tons with attachments, A-frame over 10 tons	\$69.33	7A	3K	8P	View
Lewis	Power Equipment Operators- Underground Sewer & Water	Crusher	\$69.55	7A	3K	8X	View
Lewis	Power Equipment Operators- Underground Sewer & Water	Deck Engineer/deck Winches (power)	\$69.55	7A	3K	8X	View
Lewis	Power Equipment Operators- Underground Sewer & Water	Derricks: on building work	\$70.49	7A	3K	8P	View
Lewis	Power Equipment Operators- Underground Sewer & Water	Dozers D-9 & Under	\$69.02	7A	3K	8X	View
Lewis	Power Equipment Operators- Underground Sewer & Water	Drill Oilers: Auger Type, Truck Or Crane Mount	\$69.02	7A	3K	8X	View
Lewis	Power Equipment Operators- Underground Sewer & Water	Drilling Machine	\$70.88	7A	3K	8X	View
Lewis	Power Equipment Operators- Underground Sewer & Water	Elevator and man-lift: permanent and shaft type	\$66.30	7A	3K	8P	View
Lewis	Power Equipment Operators- Underground Sewer & Water	Finishing Machine, Bidwell And Gamaco & Similar Equipment	\$69.55	7A	3K	8X	View
Lewis	Power Equipment Operators- Underground Sewer & Water	Forklift: 3000 lbs and over with attachments	\$69.33	7A	3K	8P	View
Lewis	Power Equipment Operators- Underground Sewer & Water	Forklift: 3000 Lbs And Over With Attachments	\$69.02	7A	3K	8X	View
Lewis	Power Equipment Operators- Underground Sewer & Water	Forklifts: under 3000 lbs. with attachments	\$66.30	7A	3K	8P	View
Lewis	Power Equipment Operators- Underground Sewer & Water	Grade Engineer: Using Blueprints, Cut Sheets, etc.	\$69.55	7A	3K	8X	View
Lewis	Power Equipment Operators- Underground Sewer & Water	Gradechecker/stakeman	\$66.01	7A	3K	8X	View
Lewis	Power Equipment Operators- Underground Sewer & Water	Guardrail punch/Auger	\$69.55	7A	3K	8X	View
Lewis	Power Equipment Operators- Underground Sewer & Water	Hard Tail End Dump Articulating Off- Road Equipment 45 Yards. & Over	\$70.17	7A	3K	8X	View
Lewis	Power Equipment Operators- Underground Sewer & Water	Hard Tail End Dump Articulating Off-road Equipment Under 45 Yards	\$69.55	7A	3K	8X	View
Lewis	Power Equipment	Horizontal/directional	\$69.02	7A	3K	8X	View

	Operators- Underground Sewer & Water	Drill Locator					
Lewis	Power Equipment Operators- Underground Sewer & Water	Horizontal/directional Drill Operator	\$69.55	7A	3K	8X	View
Lewis	Power Equipment Operators- Underground Sewer & Water	Hydralifts/boom trucks: 10 tons and under	\$66.30	7A	3K	8P	View
Lewis	Power Equipment Operators- Underground Sewer & Water	Hydralifts/boom trucks: over 10 tons	\$69.33	7A	3K	8P	View
Lewis	Power Equipment Operators- Underground Sewer & Water	Loader, Overhead 8 Yards. & Over	\$70.88	7A	3K	8X	View
Lewis	Power Equipment Operators- Underground Sewer & Water	Loader, Overhead, 6 Yards. But Not Including 8 Yards	\$70.17	7A	3K	8X	View
Lewis	Power Equipment Operators- Underground Sewer & Water	Loaders, Overhead Under 6 Yards	\$69.55	7A	3K	8X	View
Lewis	Power Equipment Operators- Underground Sewer & Water	Loaders, Plant Feed	\$69.55	7A	3K	8X	View
Lewis	Power Equipment Operators- Underground Sewer & Water	Loaders: Elevating Type Belt	\$69.02	7A	3K	8X	View
Lewis	Power Equipment Operators- Underground Sewer & Water	Locomotives, All	\$69.55	7A	3K	8X	View
Lewis	Power Equipment Operators- Underground Sewer & Water	Material Transfer Device	\$69.55	7A	3K	8X	View
Lewis	Power Equipment Operators- Underground Sewer & Water	Mechanics: all (Leadmen - \$0.50 per hour over mechanic)	\$71.20	7A	3K	8P	View
Lewis	Power Equipment Operators- Underground Sewer & Water	Motor patrol graders	\$70.17	7A	3K	8X	View
Lewis	Power Equipment Operators- Underground Sewer & Water	Mucking Machine, Mole, Tunnel Drill, Boring, Road Header And/or Shield	\$70.17	7A	3K	8X	View
Lewis	Power Equipment Operators- Underground Sewer & Water	Oil Distributors, Blower Distribution & Mulch Seeding Operator	\$66.01	7A	3K	8X	View
Lewis	Power Equipment Operators- Underground Sewer & Water	Outside Hoists (elevators and manlifts), Air Tuggers, Strato	\$69.33	7A	3K	8P	View
Lewis	Power Equipment Operators- Underground Sewer & Water	Overhead, bridge type Crane: 20 tons through 44 tons	\$69.87	7A	3K	8P	View
Lewis	Power Equipment Operators- Underground Sewer & Water	Overhead, Bridge Type Crane: 20 Tons Through 44 Tons	\$69.55	7A	3K	8X	View
Lewis	Power Equipment Operators- Underground	Overhead, bridge type: 100 tons and over	\$71.20	7A	3K	8P	View

	Sewer & Water						
Lewis	Power Equipment Operators- Underground Sewer & Water	Overhead, bridge type: 45 tons through 99 tons	\$70.49	7A	3K	8P	View
Lewis	Power Equipment Operators- Underground Sewer & Water	Pavement Breaker	\$66.01	7A	3K	8X	View
Lewis	Power Equipment Operators- Underground Sewer & Water	Pile Driver (other Than Crane Mount)	\$69.55	7A	3K	8X	View
Lewis	Power Equipment Operators- Underground Sewer & Water	Plant Oiler - Asphalt, Crusher	\$69.02	7A	3K	8X	View
Lewis	Power Equipment Operators- Underground Sewer & Water	Posthole Digger, Mechanical	\$66.01	7A	3K	8X	View
Lewis	Power Equipment Operators- Underground Sewer & Water	Power Plant	\$66.01	7A	3K	8X	View
Lewis	Power Equipment Operators- Underground Sewer & Water	Pumps - Water	\$66.01	7A	3K	8X	View
Lewis	Power Equipment Operators- Underground Sewer & Water	Quad 9, HD 41, D10 And Over	\$70.17	7A	3K	8X	View
Lewis	Power Equipment Operators- Underground Sewer & Water	Quick Tower: no cab, under 100 feet in height based to boom	\$66.30	7A	3K	8P	View
Lewis	Power Equipment Operators- Underground Sewer & Water	Remote Control Operator On Rubber Tired Earth Moving Equipment	\$70.17	7A	3K	8X	View
Lewis	Power Equipment Operators- Underground Sewer & Water	Rigger and Bellman	\$66.30	7A	3K	8P	View
Lewis	Power Equipment Operators- Underground Sewer & Water	Rigger/Signal Person, Bellman(Certified)	\$69.33	7A	3K	8P	View
Lewis	Power Equipment Operators- Underground Sewer & Water	Rollagon	\$70.17	7A	3K	8X	View
Lewis	Power Equipment Operators- Underground Sewer & Water	Roller, Other Than Plant Mix	\$66.01	7A	3K	8X	View
Lewis	Power Equipment Operators- Underground Sewer & Water	Roller, Plant Mix Or Multi-lift Materials	\$69.02	7A	3K	8X	View
Lewis	Power Equipment Operators- Underground Sewer & Water	Roto-mill, Roto-grinder	\$69.55	7A	3K	8X	View
Lewis	Power Equipment Operators- Underground Sewer & Water	Saws - Concrete	\$69.02	7A	3K	8X	View
Lewis	Power Equipment Operators- Underground Sewer & Water	Scraper, Self Propelled Under 45 Yards	\$69.55	7A	3K	8X	View

Lewis	Power Equipment Operators- Underground Sewer & Water	Scrapers - Concrete & Carry All	\$69.02	7A	3K	8X	View
Lewis	Power Equipment Operators- Underground Sewer & Water	Scrapers, Self-propelled: 45 Yards And Over	\$70.17	7A	3K	8X	View
Lewis	Power Equipment Operators- Underground Sewer & Water	Service Engineers: equipment	\$69.33	7A	3K	8P	View
Lewis	Power Equipment Operators- Underground Sewer & Water	Shotcrete/gunite Equipment	\$66.01	7A	3K	8X	View
Lewis	Power Equipment Operators- Underground Sewer & Water	Shovel, Excavator, Backhoe, Tractors Under 15 Metric Tons	\$69.02	7A	3K	8X	View
Lewis	Power Equipment Operators- Underground Sewer & Water	Shovel, Excavator, Backhoe: Over 30 Metric Tons To 50 Metric Tons	\$70.17	7A	3K	8X	View
Lewis	Power Equipment Operators- Underground Sewer & Water	Shovel, Excavator, Backhoes, Tractors: 15 To 30 Metric Tons	\$69.55	7A	3K	8X	View
Lewis	Power Equipment Operators- Underground Sewer & Water	Shovel, Excavator, Backhoes: Over 50 Metric Tons To 90 Metric Tons	\$70.88	7A	3K	8X	View
Lewis	Power Equipment Operators- Underground Sewer & Water	Slipform Pavers	\$70.17	7A	3K	8X	View
Lewis	Power Equipment Operators- Underground Sewer & Water	Spreader, Topsider & Screedman	\$70.17	7A	3K	8X	View
Lewis	Power Equipment Operators- Underground Sewer & Water	Subgrader Trimmer	\$69.55	7A	3K	8X	View
Lewis	Power Equipment Operators- Underground Sewer & Water	Tower Bucket Elevators	\$69.02	7A	3K	8X	View
Lewis	Power Equipment Operators- Underground Sewer & Water	Tower Crane: over 175' through 250' in height, base to boom	\$71.93	7A	3K	8P	View
Lewis	Power Equipment Operators- Underground Sewer & Water	Tower crane: up to 175' in height base to boom	\$71.20	7A	3K	8P	View
Lewis	Power Equipment Operators- Underground Sewer & Water	Tower Cranes: over 250' in height from base to boom.	\$72.63	7A	3K	8P	View
Lewis	Power Equipment Operators- Underground Sewer & Water	Transporters, All Track Or Truck Type	\$70.17	7A	3K	8X	View
Lewis	Power Equipment Operators- Underground Sewer & Water	Trenching Machines	\$69.02	7A	3K	8X	View
Lewis	Power Equipment Operators- Underground Sewer & Water	Truck Crane Oiler/Driver: 100 tons and over	\$69.87	7A	3K	8P	View
Lewis	Power Equipment	Truck crane oiler/driver:	\$69.33	7A	3K	8P	View

	Operators- Underground Sewer & Water	under 100 tons					
Lewis	Power Equipment Operators- Underground Sewer & Water	Truck Mount Portable Conveyor	\$69.55	7A	3K	8X	View
Lewis	Power Equipment Operators- Underground Sewer & Water	Welder	\$70.49	7A	3K	8P	View
Lewis	Power Equipment Operators- Underground Sewer & Water	Wheel Tractors, Farmall Type	\$66.01	7A	3K	8X	View
Lewis	Power Equipment Operators- Underground Sewer & Water	Yo Yo Pay Dozer	\$69.55	7A	3K	8X	View
Lewis	Power Line Clearance Tree Trimmers	Journey Level In Charge	\$53.10	5A	4A		View
Lewis	Power Line Clearance Tree Trimmers	Spray Person	\$50.40	5A	4A		View
Lewis	Power Line Clearance Tree Trimmers	Tree Equipment Operator	\$53.10	5A	4A		View
Lewis	Power Line Clearance Tree Trimmers	Tree Trimmer	\$47.48	5A	4A		View
Lewis	Power Line Clearance Tree Trimmers	Tree Trimmer Groundperson	\$36.10	5A	4A		View
Lewis	Refrigeration & Air Conditioning Mechanics	Journey Level	\$77.96	5A	1G		View
Lewis	Residential Brick Mason	Journey Level	\$21.96		1		View
Lewis	Residential Carpenters	Journey Level	\$24.89		1		View
Lewis	Residential Cement Masons	Journey Level	\$16.79		1		View
Lewis	Residential Drywall Applicators	Journey Level	\$36.07		1		View
Lewis	Residential Drywall Tapers	Journey Level	\$24.48		1		View
Lewis	Residential Electricians	Journey Level	\$36.53	5A	1B		View
Lewis	Residential Glaziers	Journey Level	\$25.40		1		View
Lewis	Residential Insulation Applicators	Journey Level	\$17.05		1		View
Lewis	Residential Laborers	Journey Level	\$23.10		1		View
Lewis	Residential Marble Setters	Journey Level	\$21.96		1		View
Lewis	Residential Painters	Journey Level	\$18.76		1		View
Lewis	Residential Plumbers & Pipefitters	Journey Level	\$26.35		1		View
Lewis	Residential Refrigeration & Air Conditioning Mechanics	Journey Level	\$32.14		1		View
Lewis	Residential Sheet Metal Workers	Journey Level	\$33.28		1		View
Lewis	Residential Soft Floor Layers	Journey Level	\$14.86		1		View
Lewis	Residential Sprinkler Fitters (Fire Protection)	Journey Level	\$20.28		1		View
Lewis	Residential Stone Masons	Journey Level	\$21.96		1		View
Lewis	Residential Terrazzo Workers	Journey Level	\$14.86		1		View

Lewis	Residential Terrazzo/Tile Finishers	Journey Level	\$14.86		<u>1</u>		View
Lewis	Residential Tile Setters	Journey Level	\$14.86		<u>1</u>		View
Lewis	Roofers	Journey Level	\$54.62	<u>5A</u>	<u>20</u>		View
Lewis	Roofers	Using Irritable Bituminous Materials	\$57.62	<u>5A</u>	<u>20</u>		View
Lewis	Sheet Metal Workers	Journey Level (Field or Shop)	\$89.61	<u>7F</u>	<u>1E</u>		View
Lewis	Sign Makers & Installers (Electrical)	Journey Level	\$18.04		<u>1</u>		View
Lewis	Sign Makers & Installers (Non-Electrical)	Journey Level	\$52.39	<u>7A</u>	<u>4V</u>	<u>8Y</u>	View
Lewis	Soft Floor Layers	Journey Level	\$51.07	<u>5A</u>	<u>3J</u>		View
Lewis	Solar Controls For Windows	Journey Level	\$13.50		<u>1</u>		View
Lewis	Sprinkler Fitters (Fire Protection)	Journey Level	\$65.49	<u>7J</u>	<u>1R</u>		View
Lewis	Stage Rigging Mechanics (Non Structural)	Journey Level	\$13.50		<u>1</u>		View
Lewis	Stone Masons	Journey Level	\$60.57	<u>7E</u>	<u>1N</u>		View
Lewis	Street And Parking Lot Sweeper Workers	Journey Level	\$16.00		<u>1</u>		View
Lewis	Surveyors	Chain Person	\$68.39	<u>7A</u>	<u>3K</u>		View
Lewis	Surveyors	Instrument Person	\$69.02	<u>7A</u>	<u>3K</u>		View
Lewis	Surveyors	Party Chief	\$70.17	<u>7A</u>	<u>3K</u>		View
Lewis	Telecommunication Technicians	Journey Level	\$46.47	<u>6Z</u>	<u>1B</u>		View
Lewis	Telephone Line Construction - Outside	Cable Splicer	\$41.81	<u>5A</u>	<u>2B</u>		View
Lewis	Telephone Line Construction - Outside	Hole Digger/Ground Person	\$23.53	<u>5A</u>	<u>2B</u>		View
Lewis	Telephone Line Construction - Outside	Installer (Repairer)	\$40.09	<u>5A</u>	<u>2B</u>		View
Lewis	Telephone Line Construction - Outside	Special Aparatus Installer I	\$41.81	<u>5A</u>	<u>2B</u>		View
Lewis	Telephone Line Construction - Outside	Special Apparatus Installer II	\$40.99	<u>5A</u>	<u>2B</u>		View
Lewis	Telephone Line Construction - Outside	Telephone Equipment Operator (Heavy)	\$41.81	<u>5A</u>	<u>2B</u>		View
Lewis	Telephone Line Construction - Outside	Telephone Equipment Operator (Light)	\$38.92	<u>5A</u>	<u>2B</u>		View
Lewis	Telephone Line Construction - Outside	Telephone Lineperson	\$38.92	<u>5A</u>	<u>2B</u>		View
Lewis	Telephone Line Construction - Outside	Television Groundperson	\$22.32	<u>5A</u>	<u>2B</u>		View
Lewis	Telephone Line Construction - Outside	Television Lineperson/Installer	\$29.60	<u>5A</u>	<u>2B</u>		View
Lewis	Telephone Line Construction - Outside	Television System Technician	\$35.20	<u>5A</u>	<u>2B</u>		View
Lewis	Telephone Line Construction - Outside	Television Technician	\$31.67	<u>5A</u>	<u>2B</u>		View
Lewis	Telephone Line Construction - Outside	Tree Trimmer	\$38.92	<u>5A</u>	<u>2B</u>		View

Lewis	Terrazzo Workers	Journey Level	\$55.71	<u>7E</u>	<u>1N</u>		View
Lewis	Tile Setters	Journey Level	\$55.71	<u>7E</u>	<u>1N</u>		View
Lewis	Tile, Marble & Terrazzo Finishers	Finisher	\$46.54	<u>7E</u>	<u>1N</u>		View
Lewis	Traffic Control Stripers	Journey Level	\$49.13	<u>7A</u>	<u>1K</u>		View
Lewis	Truck Drivers	Asphalt Mix Over 16 Yards	\$63.80	<u>5D</u>	<u>4Y</u>	<u>8L</u>	View
Lewis	Truck Drivers	Asphalt Mix To 16 Yards	\$62.96	<u>5D</u>	<u>4Y</u>	<u>8L</u>	View
Lewis	Truck Drivers	Dump Truck	\$62.96	<u>5D</u>	<u>4Y</u>	<u>8L</u>	View
Lewis	Truck Drivers	Dump Truck & Trailer	\$63.80	<u>5D</u>	<u>4Y</u>	<u>8L</u>	View
Lewis	Truck Drivers	Other Trucks	\$63.80	<u>5D</u>	<u>4Y</u>	<u>8L</u>	View
Lewis	Truck Drivers - Ready Mix	Transit Mix	\$63.80	<u>5D</u>	<u>4Y</u>	<u>8L</u>	View
Lewis	Well Drillers & Irrigation Pump Installers	Irrigation Pump Installer	\$18.18		<u>1</u>		View
Lewis	Well Drillers & Irrigation Pump Installers	Oiler	\$13.50		<u>1</u>		View
Lewis	Well Drillers & Irrigation Pump Installers	Well Driller	\$18.00		<u>1</u>		View

**Washington State Department of Labor and Industries
Policy Statement
(Regarding the Production of "Standard" or "Non-standard" Items)**

Below is the department's (State L&I's) list of criteria to be used in determining whether a prefabricated item is "standard" or "non-standard". For items not appearing on WSDOT's predetermined list, these criteria shall be used by the Contractor (and the Contractor's subcontractors, agents to subcontractors, suppliers, manufacturers, and fabricators) to determine coverage under RCW 39.12. The production, in the State of Washington, of non-standard items is covered by RCW 39.12, and the production of standard items is not. The production of any item outside the State of Washington is not covered by RCW 39.12.

1. Is the item fabricated for a public works project? If not, it is not subject to RCW 39.12. If it is, go to question 2.
2. Is the item fabricated on the public works jobsite? If it is, the work is covered under RCW 39.12. If not, go to question 3.
3. Is the item fabricated in an assembly/fabrication plant set up for, and dedicated primarily to, the public works project? If it is, the work is covered by RCW 39.12. If not, go to question 4.
4. Does the item require any assembly, cutting, modification or other fabrication by the supplier? If not, the work is not covered by RCW 39.12. If yes, go to question 5.
5. Is the prefabricated item intended for the public works project typically an inventory item which could reasonably be sold on the general market? If not, the work is covered by RCW 39.12. If yes, go to question 6.
6. Does the specific prefabricated item, generally defined as standard, have any unusual characteristics such as shape, type of material, strength requirements, finish, etc? If yes, the work is covered under RCW 39.12.

Any firm with questions regarding the policy, WSDOT's Predetermined List, or for determinations of covered and non-covered workers shall be directed to State L&I at (360) 902-5330.

**WSDOT's
Predetermined List for
Suppliers - Manufactures - Fabricator**

Below is a list of potentially prefabricated items, originally furnished by WSDOT to Washington State Department of Labor and Industries, that may be considered non-standard and therefore covered by the prevailing wage law, RCW 39.12. Items marked with an X in the "YES" column should be considered to be non-standard and therefore covered by RCW 39.12. Items marked with an X in the "NO" column should be considered to be standard and therefore not covered. Of course, exceptions to this general list may occur, and in that case shall be evaluated according to the criteria described in State and L&I's policy statement.

ITEM DESCRIPTION	YES	NO
1. Metal rectangular frames, solid metal covers, herringbone grates, and bi-directional vaned grates for Catch Basin Types 1, 1L, 1P, and 2 and Concrete Inlets. See Std. Plans		X
2. Metal circular frames (rings) and covers, circular grates, and prefabricated ladders for Manhole Types 1, 2, and 3, Drywell Types 1, 2, and 3 and Catch Basin Type 2. See Std. Plans		X
3. Prefabricated steel grate supports and welded grates, metal frames and dual vaned grates, and Type 1, 2, and 3 structural tubing grates for Drop Inlets. See Std. Plans.		X
4. Concrete Pipe - Plain Concrete pipe and reinforced concrete pipe Class 2 to 5 sizes smaller than 60 inch diameter.		X
5. Concrete Pipe - Plain Concrete pipe and reinforced concrete pipe Class 2 to 5 sizes larger than 60 inch diameter.		X
6. Corrugated Steel Pipe - Steel lock seam corrugated pipe for culverts and storm sewers, sizes 30 inch to 120 inches in diameter. May also be treated, 1 thru 5.		X
7. Corrugated Aluminum Pipe - Aluminum lock seam corrugated pipe for culverts and storm sewers, sizes 30 inch to 120 inches in diameter. May also be treated, #5.		X

ITEM DESCRIPTION	YES	NO
8. Anchor Bolts & Nuts - Anchor Bolts and Nuts, for mounting sign structures, luminaries and other items, shall be made from commercial bolt stock. See Contract Plans and Std. Plans for size and material type.		X
9. Aluminum Pedestrian Handrail - Pedestrian handrail conforming to the type and material specifications set forth in the contract plans. Welding of aluminum shall be in accordance with Section 9-28.14(3).	X	
10. Major Structural Steel Fabrication - Fabrication of major steel items such as trusses, beams, girders, etc., for bridges.	X	
11. Minor Structural Steel Fabrication - Fabrication of minor steel Items such as special hangers, brackets, access doors for structures, access ladders for irrigation boxes, bridge expansion joint systems, etc., involving welding, cutting, punching and/or boring of holes. See Contact Plans for item description and shop drawings.	X	
12. Aluminum Bridge Railing Type BP - Metal bridge railing conforming to the type and material specifications set forth in the Contract Plans. Welding of aluminum shall be in accordance with Section 9-28.14(3).		X
13. Concrete Piling--Precast-Prestressed concrete piling for use as 55 and 70 ton concrete piling. Concrete to conform to Section 9-19.1 of Std. Spec..	X	
14. Precast Manhole Types 1, 2, and 3 with cones, adjustment sections and flat top slabs. See Std. Plans.		X
15. Precast Drywell Types 1, 2, and with cones and adjustment Sections. See Std. Plans.		X
16. Precast Catch Basin - Catch Basin type 1, 1L, 1P, and 2 With adjustment sections. See Std. Plans.		X

ITEM DESCRIPTION	YES	NO
17. Precast Concrete Inlet - with adjustment sections, See Std. Plans		X
18. Precast Drop Inlet Type 1 and 2 with metal grate supports. See Std. Plans.		X
19. Precast Grate Inlet Type 2 with extension and top units. See Std. Plans		X
20. Metal frames, vaned grates, and hoods for Combination Inlets. See Std. Plans		X
21. Precast Concrete Utility Vaults - Precast Concrete utility vaults of various sizes. Used for in ground storage of utility facilities and controls. See Contract Plans for size and construction requirements. Shop drawings are to be provided for approval prior to casting		X
22. Vault Risers - For use with Valve Vaults and Utilities X Vaults.		X
23. Valve Vault - For use with underground utilities. See Contract Plans for details.		X
24. Precast Concrete Barrier - Precast Concrete Barrier for use as new barrier or may also be used as Temporary Concrete Barrier. Only new state approved barrier may be used as permanent barrier.		X
25. Reinforced Earth Wall Panels – Reinforced Earth Wall Panels in size and shape as shown in the Plans. Fabrication plant has annual approval for methods and materials to be used. See Shop Drawing. Fabrication at other locations may be approved, after facilities inspection, contact HQ. Lab.	X	
26. Precast Concrete Walls - Precast Concrete Walls - tilt-up wall panel in size and shape as shown in Plans. Fabrication plant has annual approval for methods and materials to be used	X	

ITEM DESCRIPTION	YES	NO
27. Precast Railroad Crossings - Concrete Crossing Structure Slabs.	X	
28. 12, 18 and 26 inch Standard Precast Prestressed Girder – Standard Precast Prestressed Girder for use in structures. Fabricator plant has annual approval of methods and materials to be used. Shop Drawing to be provided for approval prior to casting girders. See Std. Spec. Section 6-02.3(25)A	X	
29. Prestressed Concrete Girder Series 4-14 - Prestressed Concrete Girders for use in structures. Fabricator plant has annual approval of methods and materials to be used. Shop Drawing to be provided for approval prior to casting girders. See Std. Spec. Section 6-02.3(25)A	X	
30. Prestressed Tri-Beam Girder - Prestressed Tri-Beam Girders for use in structures. Fabricator plant has annual approval of methods and materials to be used. Shop Drawing to be provided for approval prior to casting girders. See Std. Spec. Section 6-02.3(25)A	X	
31. Prestressed Precast Hollow-Core Slab – Precast Prestressed Hollow-core slab for use in structures. Fabricator plant has annual approval of methods and materials to be used. Shop Drawing to be provided for approval prior to casting girders. See Std. Spec. Section 6-02.3(25)A.	X	
32. Prestressed-Bulb Tee Girder - Bulb Tee Prestressed Girder for use in structures. Fabricator plant has annual approval of methods and materials to be used. Shop Drawing to be provided for approval prior to casting girders. See Std. Spec. Section 6-02.3(25)A	X	
33. Monument Case and Cover See Std. Plan.		X

ITEM DESCRIPTION	YES	NO
34. Cantilever Sign Structure - Cantilever Sign Structure fabricated from steel tubing meeting AASHTO-M-183. See Std. Plans, and Contract Plans for details. The steel structure shall be galvanized after fabrication in accordance with AASHTO-M-111.	X	
35. Mono-tube Sign Structures - Mono-tube Sign Bridge fabricated to details shown in the Plans. Shop drawings for approval are required prior to fabrication.	X	
36. Steel Sign Bridges - Steel Sign Bridges fabricated from steel tubing meeting AASHTO-M-138 for Aluminum Alloys. See Std. Plans, and Contract Plans for details. The steel structure shall be galvanized after fabrication in accordance with AASHTO-M-111.	X	
37. Steel Sign Post - Fabricated Steel Sign Posts as detailed in Std Plans. Shop drawings for approval are to be provided prior to fabrication		X
38. Light Standard-Prestressed - Spun, prestressed, hollow concrete poles.	X	
39. Light Standards - Lighting Standards for use on highway illumination systems, poles to be fabricated to conform with methods and materials as specified on Std. Plans. See Special Provisions for pre-approved drawings.	X	
40. Traffic Signal Standards - Traffic Signal Standards for use on highway and/or street signal systems. Standards to be fabricated to conform with methods and material as specified on Std. Plans. See Special Provisions for pre-approved drawings	X	
41. Precast Concrete Sloped Mountable Curb (Single and DualFaced) See Std. Plans.		X

ITEM DESCRIPTION	YES	NO
42. Traffic Signs - Prior to approval of a Fabricator of Traffic Signs, the sources of the following materials must be submitted and approved for reflective sheeting, legend material, and aluminum sheeting. NOTE: *** Fabrication inspection required. Only signs tagged "Fabrication Approved" by WSDOT Sign Fabrication Inspector to be installed	X	X
	Custom Message	Std Signing Message
43. Cutting & bending reinforcing steel		X
44. Guardrail components	X	X
	Custom End Sec	Standard Sec
45. Aggregates/Concrete mixes	Covered by WAC 296-127-018	
46. Asphalt	Covered by WAC 296-127-018	
47. Fiber fabrics		X
48. Electrical wiring/components		X
49. treated or untreated timber pile		X
50. Girder pads (elastomeric bearing)	X	
51. Standard Dimension lumber		X
52. Irrigation components		X

ITEM DESCRIPTION	YES	NO
53. Fencing materials		X
54. Guide Posts		X
55. Traffic Buttons		X
56. Epoxy		X
57. Cribbing		X
58. Water distribution materials		X
59. Steel "H" piles		X
60. Steel pipe for concrete pile casings		X
61. Steel pile tips, standard		X
62. Steel pile tips, custom	X	

Prefabricated items specifically produced for public works projects that are prefabricated in a county other than the county wherein the public works project is to be completed, the wage for the offsite prefabrication shall be the applicable prevailing wage for the county in which the actual prefabrication takes place.

It is the manufacturer of the prefabricated product to verify that the correct county wage rates are applied to work they perform.

See RCW [39.12.010](#)

(The definition of "locality" in RCW [39.12.010](#)(2) contains the phrase "wherein the physical work is being performed." The department interprets this phrase to mean the actual work site.

WSDOT's List of State Occupations not applicable to Heavy and Highway Construction Projects

This project is subject to the state hourly minimum rates for wages and fringe benefits in the contract provisions, as provided by the state Department of Labor and Industries.

The following list of occupations, is comprised of those occupations that are not normally used in the construction of heavy and highway projects.

When considering job classifications for use and / or payment when bidding on, or building heavy and highway construction projects for, or administered by WSDOT, these Occupations will be excepted from the included "Washington State Prevailing Wage Rates For Public Work Contracts" documents.

- Building Service Employees
- Electrical Fixture Maintenance Workers
- Electricians - Motor Shop
- Heating Equipment Mechanics
- Industrial Engine and Machine Mechanics
- Industrial Power Vacuum Cleaners
- Inspection, Cleaning, Sealing of Water Systems by Remote Control
- Laborers - Underground Sewer & Water
- Machinists (Hydroelectric Site Work)
- Modular Buildings
- Playground & Park Equipment Installers
- Power Equipment Operators - Underground Sewer & Water
- Residential *** ALL ASSOCIATED RATES ***
- Sign Makers and Installers (Non-Electrical)
- Sign Makers and Installers (Electrical)
- Stage Rigging Mechanics (Non Structural)

The following occupations may be used only as outlined in the preceding text concerning "WSDOT's list for Suppliers - Manufacturers - Fabricators"

- Fabricated Precast Concrete Products
- Metal Fabrication (In Shop)

Definitions for the Scope of Work for prevailing wages may be found at the Washington State Department of Labor and Industries web site and in WAC Chapter 296-127.

Washington State Department of Labor and Industries
Policy Statements
(Regarding Production and Delivery of Gravel, Concrete, Asphalt, etc.)

WAC 296-127-018 Agency filings affecting this section

Coverage and exemptions of workers involved in the production and delivery of gravel, concrete, asphalt, or similar materials.

(1) The materials covered under this section include but are not limited to: Sand, gravel, crushed rock, concrete, asphalt, or other similar materials.

(2) All workers, regardless of by whom employed, are subject to the provisions of chapter 39.12 RCW when they perform any or all of the following functions:

(a) They deliver or discharge any of the above-listed materials to a public works project site:

(i) At one or more point(s) directly upon the location where the material will be incorporated into the project; or

(ii) At multiple points at the project; or

(iii) Adjacent to the location and coordinated with the incorporation of those materials.

(b) They wait at or near a public works project site to perform any tasks subject to this section of the rule.

(c) They remove any materials from a public works construction site pursuant to contract requirements or specifications (e.g., excavated materials, materials from demolished structures, clean-up materials, etc.).

(d) They work in a materials production facility (e.g., batch plant, borrow pit, rock quarry, etc.) which is established for a public works project for the specific, but not necessarily exclusive, purpose of supplying materials for the project.

(e) They deliver concrete to a public works site regardless of the method of incorporation.

(f) They assist or participate in the incorporation of any materials into the public works project.

(3) All travel time that relates to the work covered under subsection (2) of this section requires the payment of prevailing wages. Travel time includes time spent waiting to load, loading, transporting, waiting to unload, and delivering materials. Travel time would include all time spent in travel in support of a public works project whether the vehicle is empty or full. For example, travel time spent returning to a supply source to obtain another load of material for use on a public works site or returning to the public works site to obtain another load of excavated material is time spent in travel that is subject to prevailing wage. Travel to a supply source, including travel from a public works site, to obtain materials for use on a private project would not be travel subject to the prevailing wage.

(4) Workers are not subject to the provisions of chapter 39.12 RCW when they deliver materials to a stockpile.

(a) A "stockpile" is defined as materials delivered to a pile located away from the site of incorporation such that the stockpiled materials must be physically moved from the stockpile and transported to another location on the project site in order to be incorporated into the project.

(b) A stockpile does not include any of the functions described in subsection (2)(a) through (f) of this section; nor does a stockpile include materials delivered or distributed to multiple locations upon the project site; nor does a stockpile include materials dumped at the place of incorporation, or adjacent to the location and coordinated with the incorporation.

(5) The applicable prevailing wage rate shall be determined by the locality in which the work is performed. Workers subject to subsection (2)(d) of this section, who produce such materials at an off-site facility shall be paid the applicable prevailing wage rates for the county in which the off-site facility is located. Workers subject to subsection (2) of this section, who deliver such materials to a public works project site shall be paid the applicable prevailing wage rates for the county in which the public works project is located.

[Statutory Authority: Chapter 39.12 RCW, RCW 43.22.051 and 43.22.270. 08-24-101, § 296-127-018, filed 12/2/08, effective 1/2/09. Statutory Authority: Chapters 39.04 and 39.12 RCW and RCW 43.22.270. 92-01-104 and 92-08-101, § 296-127-018, filed 12/18/91 and 4/1/92, effective 8/31/92.]

Benefit Code Key – Effective 9/2/2020 thru 3/2/2021

Overtime Codes

Overtime calculations are based on the hourly rate actually paid to the worker. On public works projects, the hourly rate must be not less than the prevailing rate of wage minus the hourly rate of the cost of fringe benefits actually provided for the worker.

1. ALL HOURS WORKED IN EXCESS OF EIGHT (8) HOURS PER DAY OR FORTY (40) HOURS PER WEEK SHALL BE PAID AT ONE AND ONE-HALF TIMES THE HOURLY RATE OF WAGE.
 - B. All hours worked on Saturdays shall be paid at one and one-half times the hourly rate of wage. All hours worked on Sundays and holidays shall be paid at double the hourly rate of wage.
 - C. The first two (2) hours after eight (8) regular hours Monday through Friday and the first ten (10) hours on Saturday shall be paid at one and one-half times the hourly rate of wage. All other overtime hours and all hours worked on Sundays and holidays shall be paid at double the hourly rate of wage.
 - D. The first two (2) hours before or after a five-eight (8) hour workweek day or a four-ten (10) hour workweek day and the first eight (8) hours worked the next day after either workweek shall be paid at one and one-half times the hourly rate of wage. All additional hours worked and all worked on Sundays and holidays shall be paid at double the hourly rate of wage.
 - E. The first two (2) hours after eight (8) regular hours Monday through Friday and the first eight (8) hours on Saturday shall be paid at one and one-half times the hourly rate of wage. All other hours worked Monday through Saturday, and all hours worked on Sundays and holidays shall be paid at double the hourly rate of wage.
 - F. The first two (2) hours after eight (8) regular hours Monday through Friday and the first ten (10) hours on Saturday shall be paid at one and one-half times the hourly rate of wage. All other overtime hours worked, except Labor Day, shall be paid at double the hourly rate of wage. All hours worked on Labor Day shall be paid at three times the hourly rate of wage.
 - G. The first ten (10) hours worked on Saturdays and the first ten (10) hours worked on a fifth calendar weekday in a four-ten hour schedule, shall be paid at one and one-half times the hourly rate of wage. All hours worked in excess of ten (10) hours per day Monday through Saturday and all hours worked on Sundays and holidays shall be paid at double the hourly rate of wage.
 - H. All hours worked on Saturdays (except makeup days if work is lost due to inclement weather conditions or equipment breakdown) shall be paid at one and one-half times the hourly rate of wage. All hours worked Monday through Saturday over twelve (12) hours and all hours worked on Sundays and holidays shall be paid at double the hourly rate of wage.
 - I. All hours worked on Sundays and holidays shall also be paid at double the hourly rate of wage.
 - J. The first two (2) hours after eight (8) regular hours Monday through Friday and the first ten (10) hours on Saturday shall be paid at one and one-half times the hourly rate of wage. All hours worked over ten (10) hours Monday through Saturday, Sundays and holidays shall be paid at double the hourly rate of wage.
 - K. All hours worked on Saturdays and Sundays shall be paid at one and one-half times the hourly rate of wage. All hours worked on holidays shall be paid at double the hourly rate of wage.
 - M. All hours worked on Saturdays (except makeup days if work is lost due to inclement weather conditions) shall be paid at one and one-half times the hourly rate of wage. All hours worked on Sundays and holidays shall be paid at double the hourly rate of wage.
 - N. All hours worked on Saturdays (except makeup days) shall be paid at one and one-half times the hourly rate of wage. All hours worked on Sundays and holidays shall be paid at double the hourly rate of wage.

Overtime Codes Continued

1. O. The first ten (10) hours worked on Saturday shall be paid at one and one-half times the hourly rate of wage. All hours worked on Sundays, holidays and after twelve (12) hours, Monday through Friday and after ten (10) hours on Saturday shall be paid at double the hourly rate of wage.
- P. All hours worked on Saturdays (except makeup days if circumstances warrant) and Sundays shall be paid at one and one-half times the hourly rate of wage. All hours worked on holidays shall be paid at double the hourly rate of wage.
- Q. The first two (2) hours after eight (8) regular hours Monday through Friday and up to ten (10) hours worked on Saturdays shall be paid at one and one-half times the hourly rate of wage. All hours worked in excess of ten (10) hours per day Monday through Saturday and all hours worked on Sundays and holidays (except Christmas day) shall be paid at double the hourly rate of wage. All hours worked on Christmas day shall be paid at two and one-half times the hourly rate of wage.
- R. All hours worked on Sundays and holidays shall be paid at two times the hourly rate of wage.
- S. The first two (2) hours after eight (8) regular hours Monday through Friday and the first eight (8) hours on Saturday shall be paid at one and one-half times the hourly rate of wage. All hours worked on holidays and all other overtime hours worked, except Labor Day, shall be paid at double the hourly rate of wage. All hours worked on Labor Day shall be paid at three times the hourly rate of wage.
- U. All hours worked on Saturdays shall be paid at one and one-half times the hourly rate of wage. All hours worked on Sundays and holidays (except Labor Day) shall be paid at two times the hourly rate of wage. All hours worked on Labor Day shall be paid at three times the hourly rate of wage.
- V. All hours worked on Sundays and holidays (except Thanksgiving Day and Christmas day) shall be paid at one and one-half times the hourly rate of wage. All hours worked on Thanksgiving Day and Christmas day shall be paid at double the hourly rate of wage.
- W. All hours worked on Saturdays and Sundays (except make-up days due to conditions beyond the control of the employer) shall be paid at one and one-half times the hourly rate of wage. All hours worked on holidays shall be paid at double the hourly rate of wage.
- X. The first four (4) hours after eight (8) regular hours Monday through Friday and the first twelve (12) hours on Saturday shall be paid at one and one-half times the hourly rate of wage. All hours worked over twelve (12) hours Monday through Saturday, Sundays and holidays shall be paid at double the hourly rate of wage. When holiday falls on Saturday or Sunday, the day before Saturday, Friday, and the day after Sunday, Monday, shall be considered the holiday and all work performed shall be paid at double the hourly rate of wage.
- Y. All hours worked outside the hours of 5:00 am and 5:00 pm (or such other hours as may be agreed upon by any employer and the employee) and all hours worked in excess of eight (8) hours per day (10 hours per day for a 4 x 10 workweek) and on Saturdays and holidays (except labor day) shall be paid at one and one-half times the hourly rate of wage. (except for employees who are absent from work without prior approval on a scheduled workday during the workweek shall be paid at the straight-time rate until they have worked 8 hours in a day (10 in a 4 x 10 workweek) or 40 hours during that workweek.) All hours worked Monday through Saturday over twelve (12) hours and all hours worked on Sundays and Labor Day shall be paid at double the hourly rate of wage.
- Z. All hours worked on Saturdays and Sundays shall be paid at one and one-half times the hourly rate of wage. All hours worked on holidays shall be paid the straight time rate of pay in addition to holiday pay.

Overtime Codes Continued

2. ALL HOURS WORKED IN EXCESS OF EIGHT (8) HOURS PER DAY OR FORTY (40) HOURS PER WEEK SHALL BE PAID AT ONE AND ONE-HALF TIMES THE HOURLY RATE OF WAGE.
- B. All hours worked on holidays shall be paid at one and one-half times the hourly rate of wage.
 - C. All hours worked on Sundays shall be paid at one and one-half times the hourly rate of wage. All hours worked on holidays shall be paid at two times the hourly rate of wage.
 - F. The first eight (8) hours worked on holidays shall be paid at the straight hourly rate of wage in addition to the holiday pay. All hours worked in excess of eight (8) hours on holidays shall be paid at double the hourly rate of wage.
 - G. All hours worked on Sunday shall be paid at two times the hourly rate of wage. All hours worked on paid holidays shall be paid at two and one-half times the hourly rate of wage including holiday pay.
 - H. All hours worked on Sunday shall be paid at two times the hourly rate of wage. All hours worked on holidays shall be paid at one and one-half times the hourly rate of wage.
 - O. All hours worked on Sundays and holidays shall be paid at one and one-half times the hourly rate of wage.
 - R. All hours worked on Sundays and holidays and all hours worked over sixty (60) in one week shall be paid at double the hourly rate of wage.
 - U. All hours worked on Saturdays shall be paid at one and one-half times the hourly rate of wage. All hours worked over 12 hours in a day or on Sundays and holidays shall be paid at double the hourly rate of wage.
 - W. The first two (2) hours after eight (8) regular hours Monday through Friday and the first eight (8) hours on Saturday shall be paid at one and one-half times the hourly rate of wage. All other hours worked Monday through Saturday, and all hours worked on Sundays and holidays shall be paid at double the hourly rate of wage. On a four-day, ten-hour weekly schedule, either Monday thru Thursday or Tuesday thru Friday schedule, all hours worked after ten shall be paid at double the hourly rate of wage. The first eight (8) hours worked on the fifth day shall be paid at one and one-half times the hourly rate of wage. All other hours worked on the fifth, sixth, and seventh days and on holidays shall be paid at double the hourly rate of wage.
3. ALL HOURS WORKED IN EXCESS OF EIGHT (8) HOURS PER DAY OR FORTY (40) HOURS PER WEEK SHALL BE PAID AT ONE AND ONE-HALF TIMES THE HOURLY RATE OF WAGE.
- A. Work performed in excess of eight (8) hours of straight time per day, or ten (10) hours of straight time per day when four ten (10) hour shifts are established, or forty (40) hours of straight time per week, Monday through Friday, or outside the normal shift, and all work on Saturdays shall be paid at time and one-half the straight time rate. Hours worked over twelve hours (12) in a single shift and all work performed after 6:00 pm Saturday to 6:00 am Monday and holidays shall be paid at double the straight time rate of pay. Any shift starting between the hours of 6:00 pm and midnight shall receive an additional one dollar (\$1.00) per hour for all hours worked that shift. The employer shall have the sole discretion to assign overtime work to employees. Primary consideration for overtime work shall be given to employees regularly assigned to the work to be performed on overtime situations. After an employee has worked eight (8) hours at an applicable overtime rate, all additional hours shall be at the applicable overtime rate until such time as the employee has had a break of eight (8) hours or more.
 - C. Work performed in excess of eight (8) hours of straight time per day, or ten (10) hours of straight time per day when four ten (10) hour shifts are established, or forty (40) hours of straight time per week, Monday through Friday, or outside the normal shift, and all work on Saturdays shall be paid at one and one-half times the hourly rate of wage. All work performed after 6:00 pm Saturday to 5:00 am Monday and Holidays shall be paid at double the hourly rate of wage. After an employee has worked eight (8) hours at an applicable overtime rate, all additional hours shall be at the applicable overtime rate until such time as the employee has had a break of eight (8) hours or more.

Overtime Codes Continued

3. E. All hours worked Sundays and holidays shall be paid at double the hourly rate of wage. Each week, once 40 hours of straight time work is achieved, then any hours worked over 10 hours per day Monday through Saturday shall be paid at double the hourly wage rate.
- F. All hours worked on Saturday shall be paid at one and one-half times the hourly rate of wage. All hours worked on Sunday shall be paid at two times the hourly rate of wage. All hours worked on paid holidays shall be paid at two and one-half times the hourly rate of wage including holiday pay.
- H. All work performed on Sundays between March 16th and October 14th and all Holidays shall be compensated for at two (2) times the regular rate of pay. Work performed on Sundays between October 15th and March 15th shall be compensated at one and one half (1-1/2) times the regular rate of pay.
- J. All hours worked between the hours of 10:00 pm and 5:00 am, Monday through Friday, and all hours worked on Saturdays shall be paid at a one and one-half times the hourly rate of wage. All hours worked on Sundays and holidays shall be paid at double the hourly rate of wage.
- K. Work performed in excess of eight (8) hours of straight time per day, or ten (10) hours of straight time per day when four ten (10) hour shifts are established, or forty (40) hours of straight time per week, Monday through Friday, or outside the normal 5 am to 6pm shift, and all work on Saturdays shall be paid at one and one-half times the hourly rate of wage. All work performed after 6:00 pm Saturday to 5:00 am Monday and Holidays, and all hours worked in excess of twelve (12) hours in a single shift shall be paid at double the hourly rate of wage.

After an employee has worked eight (8) hours at an applicable overtime rate, all additional hours shall be at the applicable overtime rate until such time as the employee has had a break of eight (8) hours or more. When an employee returns to work without at least eight (8) hours time off since their previous shift, all such time shall be a continuation of shift and paid at the applicable overtime rate until he/she shall have the eight (8) hours rest period.

4. ALL HOURS WORKED IN EXCESS OF EIGHT (8) HOURS PER DAY OR FORTY (40) HOURS PER WEEK SHALL BE PAID AT ONE AND ONE-HALF TIMES THE HOURLY RATE OF WAGE.
 - A. All hours worked in excess of eight (8) hours per day or forty (40) hours per week shall be paid at double the hourly rate of wage. All hours worked on Saturdays, Sundays and holidays shall be paid at double the hourly rate of wage.
 - B. All hours worked over twelve (12) hours per day and all hours worked on holidays shall be paid at double the hourly rate of wage.
 - C. On Monday through Friday, the first four (4) hours of overtime after eight (8) hours of straight time work shall be paid at one and one half (1-1/2) times the straight time rate of pay, unless a four (4) day ten (10) hour workweek has been established. On a four (4) day ten (10) hour workweek scheduled Monday through Thursday, or Tuesday through Friday, the first two (2) hours of overtime after ten (10) hours of straight time work shall be paid at one and one half (1-1/2) times the straight time rate of pay. On Saturday, the first twelve (12) hours of work shall be paid at one and one half (1-1/2) times the straight time rate of pay, except that if the job is down on Monday through Friday due to weather conditions or other conditions outside the control of the employer, the first ten (10) hours on Saturday may be worked at the straight time rate of pay. All hours worked over twelve (12) hours in a day and all hours worked on Sunday and Holidays shall be paid at two (2) times the straight time rate of pay.

Overtime Codes Continued

4. D. All hours worked in excess of eight (8) hours per day or forty (40) hours per week shall be paid at double the hourly rate of wage. All hours worked on Saturday, Sundays and holidays shall be paid at double the hourly rate of pay. Rates include all members of the assigned crew.

EXCEPTION:

On all multipole structures and steel transmission lines, switching stations, regulating, capacitor stations, generating plants, industrial plants, associated installations and substations, except those substations whose primary function is to feed a distribution system, will be paid overtime under the following rates:

The first two (2) hours after eight (8) regular hours Monday through Friday of overtime on a regular workday, shall be paid at one and one-half times the hourly rate of wage. All hours in excess of ten (10) hours will be at two (2) times the hourly rate of wage. The first eight (8) hours worked on Saturday will be paid at one and one-half (1-1/2) times the hourly rate of wage. All hours worked in excess of eight (8) hours on Saturday, and all hours worked on Sundays and holidays will be at the double the hourly rate of wage.

All overtime eligible hours performed on the above described work that is energized, shall be paid at the double the hourly rate of wage.

- E. The first two (2) hours after eight (8) regular hours Monday through Friday and the first eight (8) hours on Saturday shall be paid at one and one-half times the hourly rate of wage. All other hours worked Monday through Saturday, and all hours worked on Sundays and holidays shall be paid at double the hourly rate of wage.

On a four-day, ten-hour weekly schedule, either Monday thru Thursday or Tuesday thru Friday schedule, all hours worked after ten shall be paid at double the hourly rate of wage. The Monday or Friday not utilized in the normal four-day, ten hour work week, and Saturday shall be paid at one and one half (1½) times the regular shift rate for the first eight (8) hours. All other hours worked Monday through Saturday, and all hours worked on Sundays and holidays shall be paid at double the hourly rate of wage.

- F. All hours worked between the hours of 6:00 pm and 6:00 am, Monday through Saturday, shall be paid at a premium rate of 20% over the hourly rate of wage. All hours worked on Sundays shall be paid at one and one-half times the hourly rate of wage. All hours worked on holidays shall be paid at double the hourly rate of wage.

- G. All hours worked on Saturdays shall be paid at one and one-half times the hourly rate of wage. All hours worked Monday through Saturday over twelve (12) hours and all hours worked on Sundays and holidays shall be paid at double the hourly rate of wage.

- H. The first two (2) hours after eight (8) regular hours Monday through Friday and the first eight (8) hours on Saturday shall be paid at one and one-half times the hourly rate of wage. All other overtime hours worked, except Labor Day, and all hours on Sunday shall be paid at double the hourly rate of wage. All hours worked on Labor Day shall be paid at three times the hourly rate of wage.

- I. The First eight (8) hours worked on Saturdays shall be paid at one and one-half times the hourly rate of wage. All hours worked in excess of eight (8) per day on Saturdays shall be paid at double the hourly rate of wage. All hours worked on Sundays and holidays shall be paid at double the hourly rate of wage.

- J. The first eight (8) hours worked on a Saturday shall be paid at one and one-half times the hourly rate of wage. All hours worked in excess of eight (8) hours on a Saturday shall be paid at double the hourly rate of wage. All hours worked over twelve (12) in a day, and all hours worked on Sundays and Holidays shall be paid at double the hourly rate of wage.

- K. All hours worked on a Saturday shall be paid at one and one-half times the hourly rate of wage, so long as Saturday is the sixth consecutive day worked. All hours worked over twelve (12) in a day Monday through Saturday, and all hours worked on Sundays and Holidays shall be paid at double the hourly rate of wage.

Overtime Codes Continued

4. L. The first twelve (12) hours worked on a Saturday shall be paid at one and one-half times the hourly rate of wage. All hours worked on a Saturday in excess of twelve (12) hours shall be paid at double the hourly rate of pay. All hours worked over twelve (12) in a day Monday through Friday, and all hours worked on Sundays shall be paid at double the hourly rate of wage. All hours worked on a holiday shall be paid at one and one-half times the hourly rate of wage, except that all hours worked on Labor Day shall be paid at double the hourly rate of pay.
- M. All hours worked on Sunday and Holidays shall be paid at double the hourly rate. Any employee reporting to work less than nine (9) hours from their previous quitting time shall be paid for such time at time and one-half times the hourly rate.
- N. All hours worked on Saturdays shall be paid at one and one-half times the hourly rate of wage. All hours worked on Sundays and holidays, and all work performed between the hours of midnight (12:00 AM) and eight AM (8:00 AM) every day shall be paid at double the hourly rate of wage.
- O. All hours worked between midnight Friday to midnight Sunday shall be paid at one and one-half the hourly rate of wage. After an employee has worked in excess of eight (8) continuous hours in any one or more calendar days, all additional hours shall be at the applicable overtime rate until such time as the employee has had a break of six (6) hours or more. All hours worked on Holidays shall be paid at double the hourly rate of wage.
- P. All hours worked on Holidays shall be paid at one and one-half times the hourly rate of wage.
- Q. The first four (4) hours after eight (8) regular hours Monday through Friday and the first eight (8) hours on Saturday shall be paid at one and one-half times the hourly rate of wage. All hours worked over twelve (12) hours Monday through Saturday shall be paid at double the hourly rate. All hours worked on Sundays and holidays shall be paid at double the hourly rate of wage.
- R. All hours worked on Saturdays shall be paid at one and one-half times the hourly rate of wage, so long as Saturday is the sixth consecutive day worked. All hours worked on Sundays and holidays shall be paid at double the hourly rate of wage.
- S. All hours worked on Saturdays and Holidays shall be paid at one and one-half times the hourly rate of wage. All hours worked on Sundays shall be paid at double the hourly rate of wage.
- T. The first two (2) hours of overtime for hours worked Monday-Friday shall be paid at one and one-half times the hourly rate of wage. All hours worked in excess of ten (10) hours per day shall be paid at double the hourly rate of wage. All hours worked on Sundays and holidays shall be paid at double the hourly rate of wage. For work on Saturday which is scheduled prior to the end of shift on Friday, the first six (6) hours work shall be paid at one and one-half times the hourly rate of wage, and all hours over (6) shall be paid double the hourly rate of wage. For work on Saturday which was assigned following the close of shift on Friday, all work shall be paid at double the hourly rate of wage.
- U. The first four (4) hours after eight (8) regular hours Monday through Friday and the first twelve (12) hours on Saturday shall be paid at one and one-half times the hourly rate of wage. (Except on makeup days if work is lost due to inclement weather, then the first eight (8) hours on Saturday may be paid the regular rate.) All hours worked over twelve (12) hours Monday through Saturday, and all hours worked on Sundays and holidays shall be paid at double the hourly rate of wage.

Overtime Codes Continued

4. V. Work performed in excess of ten (10) hours of straight time per day when four ten (10) hour shifts are established or outside the normal shift (5 am to 6pm), and all work on Saturdays, except for make-up days shall be paid at time and one-half (1 ½) the straight time rate.

In the event the job is down due to weather conditions, then Saturday may, be worked as a voluntary make-up day at the straight time rate. However, Saturday shall not be utilized as a make-up day when a holiday falls on Friday. All work performed on Sundays and holidays and work in excess of twelve (12) hours per day shall be paid at double (2x) the straight time rate of pay.

After an employee has worked eight (8) hours at an applicable overtime rate, all additional hours shall be at the applicable overtime rate until such time as the employee has had a break of eight (8) hours.

When an employee returns to work without a break of eight (8) hours since their previous shift, all such time shall be a continuation of shift and paid at the applicable overtime rate until such time as the employee has had a break of eight (8) hours.

- W. All hours worked on Saturdays (except makeup days if work is lost due to inclement weather conditions) shall be paid at one and one-half times the hourly rate of wage. All hours worked on Sundays and holidays shall be paid at double the hourly rate of wage.

When an employee returns to work without at least eight (8) hours time off since their previous shift, all such time shall be a continuation of shift and paid at the applicable overtime rate until such time as the employee has had a break of eight (8) hours.

- X. All hours worked on Saturdays shall be paid at one and one-half times the hourly rate of wage. All hours worked on Sundays and holidays shall be paid at double the hourly rate of wage. Work performed outside the normal shift of 6 am to 6pm shall be paid at one and one-half the straight time rate, (except for special shifts or three shift operations). All work performed on Sundays and holidays shall be paid at double the hourly rate of wage. Shifts may be established when considered necessary by the Employer.

The Employer may establish shifts consisting of eight (8) or ten (10) hours of work (subject to WAC 296-127-022), that shall constitute a normal forty (40) hour work week. The Employer can change from a 5-eight to a 4-ten hour schedule or back to the other. All hours of work on these shifts shall be paid for at the straight time hourly rate. Work performed in excess of eight hours (or ten hours per day (subject to WAC 296-127-022) shall be paid at one and one-half the straight time rate.

When due to conditions beyond the control of the Employer, or when contract specifications require that work can only be performed outside the regular day shift, then by mutual agreement a special shift may be worked at the straight time rate, eight (8) hours work for eight (8) hours pay. The starting time shall be arranged to fit such conditions of work.

When an employee returns to work without at a break of eight (8) hours since their previous shift, all such time shall be a continuation of shift and paid at the applicable overtime rate until such time as the employee has had a break of eight (8) hours.

Overtime Codes Continued

4. Y. Work performed in excess of eight (8) hours of straight time per day, or ten (10) hours of straight time per day when four ten (10) hour shifts are established, or forty (40) hours of straight time per week, Monday through Friday, or outside the normal shift, and all work on Saturdays shall be paid at time and one-half the straight time rate. All work performed after 6:00 pm Saturday to 6:00 am Monday and holidays shall be paid at double the straight time rate of pay.

Any shift starting between the hours of 6:00 pm and midnight shall receive an additional one dollar (\$1.00) per hour for all hours worked that shift.

After an employee has worked eight (8) hours at an applicable overtime rate, all additional hours shall be at the applicable overtime rate until such time as the employee has had a break of eight (8) hours or more.

ZOvertime Calculations are based on the hourly rate actually paid to the worker. On public works projects, the hourly rate must be not less than the prevailing rate of wage minus the hourly rate of the cost of fringe benefits actually provided for the worker. ALL HOURS WORKED IN EXCESS OF EIGHT (8) HOURS PER DAY OR FORTY (40) HOURS PER WEEK SHALL BE PAID AT ONE AND ONE-HALF TIMES THE HOURLY RATE OF WAGE. All hours worked between the hours of 6:00 pm and 6:00 am, Monday through Saturday, shall be paid at a premium rate of 20% over the hourly rate of wage. Work performed on Sundays may be paid at double time. All hours worked on holidays shall be paid at double the hourly rate of wage.

Holiday Codes

5. A. Holidays: New Year's Day, Memorial Day, Independence Day, Labor Day, Thanksgiving Day, Friday after Thanksgiving Day, and Christmas Day (7).
- B. Holidays: New Year's Day, Memorial Day, Independence Day, Labor Day, Thanksgiving Day, Friday after Thanksgiving Day, the day before Christmas, and Christmas Day (8).
- C. Holidays: New Year's Day, Presidents' Day, Memorial Day, Independence Day, Labor Day, Thanksgiving Day, the Friday after Thanksgiving Day, And Christmas Day (8).
- D. Holidays: New Year's Day, Memorial Day, Independence Day, Labor Day, Thanksgiving Day, the Friday and Saturday after Thanksgiving Day, And Christmas Day (8).
- H. Holidays: New Year's Day, Memorial Day, Independence Day, Thanksgiving Day, the Day after Thanksgiving Day, And Christmas (6).
- I. Holidays: New Year's Day, Memorial Day, Independence Day, Labor Day, Thanksgiving Day, and Christmas Day (6).
- J. Holidays: New Year's Day, Memorial Day, Independence Day, Thanksgiving Day, Friday after Thanksgiving Day, Christmas Eve Day, And Christmas Day (7).
- K. Holidays: New Year's Day, Presidents' Day, Memorial Day, Independence Day, Labor Day, Thanksgiving Day, Friday After Thanksgiving Day, The Day Before Christmas, And Christmas Day (9).
- L. Holidays: New Year's Day, Martin Luther King Jr. Day, Memorial Day, Independence Day, Labor Day, Thanksgiving Day, Friday after Thanksgiving Day, And Christmas Day (8).
- N. Holidays: New Year's Day, Presidents' Day, Memorial Day, Independence Day, Labor Day, Veterans' Day, Thanksgiving Day, The Friday After Thanksgiving Day, And Christmas Day (9).

Benefit Code Key – Effective 9/2/2020 thru 3/2/2021

Holiday Codes Continued

5. P. Holidays: New Year's Day, Memorial Day, Independence Day, Labor Day, Thanksgiving Day, Friday And Saturday After Thanksgiving Day, The Day Before Christmas, And Christmas Day (9). If A Holiday Falls On Sunday, The Following Monday Shall Be Considered As A Holiday.
- Q. Paid Holidays: New Year's Day, Memorial Day, Independence Day, Labor Day, Thanksgiving Day, and Christmas Day (6).
- R. Paid Holidays: New Year's Day, Memorial Day, Independence Day, Labor Day, Thanksgiving Day, Day After Thanksgiving Day, One-Half Day Before Christmas Day, And Christmas Day. (7 1/2).
- S. Paid Holidays: New Year's Day, Presidents' Day, Memorial Day, Independence Day, Labor Day, Thanksgiving Day, And Christmas Day (7).
- T. Paid Holidays: New Year's Day, Washington's Birthday, Memorial Day, Independence Day, Labor Day, Thanksgiving Day, The Friday After Thanksgiving Day, Christmas Day, And The Day Before Or After Christmas (9).
- Z. Holidays: New Year's Day, Memorial Day, Independence Day, Labor Day, Veterans Day, Thanksgiving Day, the Friday after Thanksgiving Day, And Christmas Day (8).
6. A. Paid Holidays: New Year's Day, Presidents' Day, Memorial Day, Independence Day, Labor Day, Thanksgiving Day, the Friday after Thanksgiving Day, And Christmas Day (8).
- E. Paid Holidays: New Year's Day, Day Before Or After New Year's Day, Presidents Day, Memorial Day, Independence Day, Labor Day, Thanksgiving Day, the Friday after Thanksgiving Day, Christmas Day, and a Half-Day On Christmas Eve Day. (9 1/2).
- G. Paid Holidays: New Year's Day, Martin Luther King Jr. Day, Presidents' Day, Memorial Day, Independence Day, Labor Day, Veterans' Day, Thanksgiving Day, the Friday after Thanksgiving Day, Christmas Day, and Christmas Eve Day (11).
- H. Paid Holidays: New Year's Day, New Year's Eve Day, Memorial Day, Independence Day, Labor Day, Thanksgiving Day, Friday After Thanksgiving Day, Christmas Day, The Day After Christmas, And A Floating Holiday (10).
- I. Paid Holidays: New Year's Day, Memorial Day, Independence Day, Labor Day, Thanksgiving Day, Friday After Thanksgiving Day, And Christmas Day (7).
- T. Paid Holidays: New Year's Day, Presidents' Day, Memorial Day, Independence Day, Labor Day, Thanksgiving Day, The Friday After Thanksgiving Day, The Last Working Day Before Christmas Day, And Christmas Day (9).
- Z. Holidays: New Year's Day, Memorial Day, Independence Day, Labor Day, Thanksgiving Day, Friday after Thanksgiving Day, And Christmas Day (7). If a holiday falls on Saturday, the preceding Friday shall be considered as the holiday. If a holiday falls on Sunday, the following Monday shall be considered as the holiday.
7. A. Holidays: New Year's Day, Memorial Day, Independence Day, Labor Day, Thanksgiving Day, the Friday and Saturday after Thanksgiving Day, And Christmas Day (8). Any Holiday Which Falls On A Sunday Shall Be Observed As A Holiday On The Following Monday. If any of the listed holidays falls on a Saturday, the preceding Friday shall be a regular work day.

Holiday Codes Continued

7. B. Holidays: New Year's Day, Memorial Day, Independence Day, Labor Day, Thanksgiving Day, the Friday and Saturday after Thanksgiving Day, And Christmas Day (8). Any holiday which falls on a Sunday shall be observed as a holiday on the following Monday. Any holiday which falls on a Saturday shall be observed as a holiday on the preceding Friday.
- C. Holidays: New Year's Day, Martin Luther King Jr. Day, Memorial Day, Independence Day, Labor Day, Thanksgiving Day, the Friday after Thanksgiving Day, And Christmas Day (8). Any holiday which falls on a Sunday shall be observed as a holiday on the following Monday. Any holiday which falls on a Saturday shall be observed as a holiday on the preceding Friday.
- D. Paid Holidays: New Year's Day, Memorial Day, Independence Day, Labor Day, Veteran's Day, Thanksgiving Day, the Friday after Thanksgiving Day, And Christmas Day (8). Unpaid Holidays: President's Day. Any paid holiday which falls on a Sunday shall be observed as a holiday on the following Monday. Any paid holiday which falls on a Saturday shall be observed as a holiday on the preceding Friday.
- E. Holidays: New Year's Day, Memorial Day, Independence Day, Labor Day, Thanksgiving Day, the Friday after Thanksgiving Day, And Christmas Day (7). Any holiday which falls on a Sunday shall be observed as a holiday on the following Monday. Any holiday which falls on a Saturday shall be observed as a holiday on the preceding Friday.
- F. Holidays: New Year's Day, Memorial Day, Independence Day, Labor Day, Thanksgiving Day, the Friday after Thanksgiving Day, the last working day before Christmas day and Christmas day (8). Any holiday which falls on a Sunday shall be observed as a holiday on the following Monday. Any holiday which falls on a Saturday shall be observed as a holiday on the preceding Friday.
- G. Holidays: New Year's Day, Memorial Day, Independence Day, Labor Day, Thanksgiving Day, and Christmas Day (6). Any holiday which falls on a Sunday shall be observed as a holiday on the following Monday.
- H. Holidays: New Year's Day, Martin Luther King Jr. Day, Independence Day, Memorial Day, Labor Day, Thanksgiving Day, the Friday after Thanksgiving Day, the Last Working Day before Christmas Day and Christmas Day (9). Any holiday which falls on a Sunday shall be observed as a holiday on the following Monday. Any holiday which falls on a Saturday shall be observed as a holiday on the preceding Friday.
- I. Holidays: New Year's Day, President's Day, Independence Day, Memorial Day, Labor Day, Thanksgiving Day, The Friday After Thanksgiving Day, The Day Before Christmas Day And Christmas Day (9). Any holiday which falls on a Sunday shall be observed as a holiday on the following Monday. Any holiday which falls on a Saturday shall be observed as a holiday on the preceding Friday.
- J. Holidays: New Year's Day, Independence Day, Memorial Day, Labor Day, Thanksgiving Day and Christmas Day (6). Any holiday which falls on a Sunday shall be observed as a holiday on the following Monday. Any holiday which falls on a Saturday shall be observed as a holiday on the preceding Friday.
- K. Holidays: New Year's Day, Memorial Day, Independence Day, Thanksgiving Day, the Friday and Saturday after Thanksgiving Day, And Christmas Day (8). Any holiday which falls on a Sunday shall be observed as a holiday on the following Monday. Any holiday which falls on a Saturday shall be observed as a holiday on the preceding Friday.
- L. Holidays: New Year's Day, Memorial Day, Labor Day, Independence Day, Thanksgiving Day, the Last Work Day before Christmas Day, And Christmas Day (7). Any holiday which falls on a Sunday shall be observed as a holiday on the following Monday. Any holiday which falls on a Saturday shall be observed as a holiday on the preceding Friday.

Holiday Codes Continued

7. M. Paid Holidays: New Year's Day, The Day after or before New Year's Day, President's Day, Memorial Day, Independence Day, Labor Day, Thanksgiving Day, the Friday after Thanksgiving Day, Christmas Day, And the Day after or before Christmas Day (10). Any holiday which falls on a Sunday shall be observed as a holiday on the following Monday. Any holiday which falls on a Saturday shall be observed as a holiday on the preceding Friday.
- N. Holidays: New Year's Day, Memorial Day, Independence Day, Labor Day, Thanksgiving Day, the Friday after Thanksgiving Day, And Christmas Day (7). Any holiday which falls on a Sunday shall be observed as a holiday on the following Monday. When Christmas falls on a Saturday, the preceding Friday shall be observed as a holiday.
- P. Holidays: New Year's Day, Memorial Day, Independence Day, Labor Day, Thanksgiving Day, Friday after Thanksgiving Day, And Christmas Day (7). Any holiday which falls on a Sunday shall be observed as a holiday on the following Monday.
- Q. Holidays: New Year's Day, Memorial Day, Independence Day, Labor Day, Thanksgiving Day, the Friday after Thanksgiving Day, the Last Working Day before Christmas Day and Christmas Day (8). Any holiday which falls on a Sunday shall be observed as a holiday on the following Monday. If any of the listed holidays falls on a Saturday, the preceding Friday shall be a regular work day.
- R. Paid Holidays: New Year's Day, the day after or before New Year's Day, President's Day, Memorial Day, Independence Day, Labor Day, Thanksgiving Day, the Friday after Thanksgiving Day, Christmas Day, and the day after or before Christmas Day (10). If any of the listed holidays fall on Saturday, the preceding Friday shall be observed as the holiday. If any of the listed holidays falls on a Sunday, the day observed by the Nation shall be considered a holiday and compensated accordingly.
- S. Paid Holidays: New Year's Day, Memorial Day, Independence Day, Labor Day, Thanksgiving Day, Friday after Thanksgiving Day, Christmas Day, the Day after Christmas, and A Floating Holiday (9). If any of the listed holidays falls on a Sunday, the day observed by the Nation shall be considered a holiday and compensated accordingly.
- T. Paid Holidays: New Year's Day, the Day after or before New Year's Day, President's Day, Memorial Day, Independence Day, Labor Day, Thanksgiving Day, the Friday after Thanksgiving Day, Christmas Day, and The Day after or before Christmas Day. (10). If any of the listed holidays falls on a Sunday, the day observed by the Nation shall be considered a holiday and compensated accordingly. Any holiday which falls on a Saturday shall be observed as a holiday on the preceding Friday.
- V. Holidays: New Year's Day, President's Birthday, Memorial Day, Independence Day, Labor Day, Thanksgiving Day, the Friday after Thanksgiving Day, Christmas Day, the day before or after Christmas, and the day before or after New Year's Day. If any of the above listed holidays falls on a Sunday, the day observed by the Nation shall be considered a holiday and compensated accordingly.
- W. Holidays: New Year's Day, Day After New Year's, Memorial Day, Independence Day, Labor Day, Thanksgiving Day, the Friday after Thanksgiving Day, Christmas Eve Day, Christmas Day, the day after Christmas, the day before New Year's Day, and a Floating Holiday.
- X. Holidays: New Year's Day, Day before or after New Year's Day, Presidents' Day, Memorial Day, Independence Day, Labor Day, Thanksgiving Day, the Friday after Thanksgiving Day, Christmas Day, and the day before or after Christmas day. If a holiday falls on a Saturday or on a Friday that is the normal day off, then the holiday will be taken on the last normal workday. If the holiday falls on a Monday that is the normal day off or on a Sunday, then the holiday will be taken on the next normal workday.
- Y. Holidays: New Year's Day, Presidents' Day, Memorial Day, Independence Day, Labor Day, Thanksgiving Day, the Friday after Thanksgiving Day, and Christmas Day. (8) If the holiday falls on a Sunday, then the day observed by the federal government shall be considered a holiday and compensated accordingly.

Benefit Code Key – Effective 9/2/2020 thru 3/2/2021

Holiday Codes Continued

7. Z. Holidays: New Year's Day, President's Day, Independence Day, Memorial Day, Labor Day, Thanksgiving Day, The Friday After Thanksgiving Day, And Christmas Day (8). Any holiday which falls on a Sunday shall be observed as a holiday on the following Monday. Any holiday which falls on a Saturday shall be observed as a holiday on the preceding Friday.
15. A. Holidays: New Year's Day, Memorial Day, Independence Day, Labor Day, Thanksgiving Day, the Friday after Thanksgiving Day, the day before Christmas Day and Christmas Day. (8) Any holiday which falls on a Sunday shall be observed as a holiday on the following Monday.
- B. Holidays: New Year's Day, Martin Luther King Jr. Day, President's Day, Memorial Day, Independence Day, Labor Day, Veteran's Day, Thanksgiving Day, and Christmas Day. (9)
- C. Holidays: New Year's Day, Memorial Day, Independence Day, Labor Day, Thanksgiving Day, the Friday after Thanksgiving Day, the day before Christmas Day and Christmas Day. (8)
- D. Holidays: New Year's Day, Presidents' Day, Memorial Day, Independence Day, Labor Day, Thanksgiving Day, Friday after Thanksgiving Day, Christmas Day, and the day after Christmas.
- E. Holidays: the day before New Years's Day, New Year's Day, Martin Luther King, Jr. Day, Presidents' Day, Memorial Day, Independence Day, Labor Day, Veteran's Day, Thanksgiving Day, Friday after Thanksgiving Day, the day before Christmas, and Christmas Day. (12)

Note Codes

8. D. Workers working with supplied air on hazmat projects receive an additional \$1.00 per hour.
- L. Workers on hazmat projects receive additional hourly premiums as follows -Level A: \$0.75, Level B: \$0.50, And Level C: \$0.25.
- M. Workers on hazmat projects receive additional hourly premiums as follows: Levels A & B: \$1.00, Levels C & D: \$0.50.
- N. Workers on hazmat projects receive additional hourly premiums as follows -Level A: \$1.00, Level B: \$0.75, Level C: \$0.50, And Level D: \$0.25.
- P. Workers on hazmat projects receive additional hourly premiums as follows -Class A Suit: \$2.00, Class B Suit: \$1.50, Class C Suit: \$1.00, And Class D Suit \$0.50.
- Q. The highest pressure registered on the gauge for an accumulated time of more than fifteen (15) minutes during the shift shall be used in determining the scale paid.
- S. Effective August 31, 2012 – A Traffic Control Supervisor shall be present on the project whenever flagging or spotting or other traffic control labor is being utilized. Flaggers and Spotters shall be posted where shown on approved Traffic Control Plans or where directed by the Engineer. All flaggers and spotters shall possess a current flagging card issued by the State of Washington, Oregon, Montana, or Idaho. This classification is only effective on or after August 31, 2012.

Note Codes Continued

8. T. Effective August 31, 2012 – A Traffic Control Laborer performs the setup, maintenance and removal of all temporary traffic control devices and construction signs necessary to control vehicular, bicycle, and pedestrian traffic during construction operations. Flaggers and Spotters shall be posted where shown on approved Traffic Control Plans or where directed by the Engineer. All flaggers and spotters shall possess a current flagging card issued by the State of Washington, Oregon, Montana, or Idaho. This classification is only effective on or after August 31, 2012.
- U. Workers on hazmat projects receive additional hourly premiums as follows – Class A Suit: \$2.00, Class B Suit: \$1.50, And Class C Suit: \$1.00. Workers performing underground work receive an additional \$0.40 per hour for any and all work performed underground, including operating, servicing and repairing of equipment. The premium for underground work shall be paid for the entire shift worked. Workers who work suspended by a rope or cable receive an additional \$0.50 per hour. The premium for work suspended shall be paid for the entire shift worked. Workers who do “pioneer” work (break open a cut, build road, etc.) more than one hundred fifty (150) feet above grade elevation receive an additional \$0.50 per hour.
- V. In addition to the hourly wage and fringe benefits, the following depth and enclosure premiums shall be paid. The premiums are to be calculated for the maximum depth and distance into an enclosure that a diver reaches in a day. The premiums are to be paid one time for the day and are not used in calculating overtime pay.
- Depth premiums apply to depths of fifty feet or more. Over 50' to 100' - \$2.00 per foot for each foot over 50 feet. Over 101' to 150' - \$3.00 per foot for each foot over 101 feet. Over 151' to 220' - \$4.00 per foot for each foot over 220 feet. Over 221' - \$5.00 per foot for each foot over 221 feet.
- Enclosure premiums apply when divers enter enclosures (such as pipes or tunnels) where there is no vertical ascent and is measured by the distance travelled from the entrance. 25' to 300' - \$1.00 per foot from entrance. 300' to 600' - \$1.50 per foot beginning at 300'. Over 600' - \$2.00 per foot beginning at 600'.
- W. Meter Installers work on single phase 120/240V self-contained residential meters. The Lineman/Groundmen rates would apply to meters not fitting this description.
- X. Workers on hazmat projects receive additional hourly premiums as follows - Class A Suit: \$2.00, Class B Suit: \$1.50, Class C Suit: \$1.00, and Class D Suit: \$0.50. Special Shift Premium: Basic hourly rate plus \$2.00 per hour.
- When due to conditions beyond the control of the Employer or when an owner (not acting as the contractor), a government agency or the contract specifications requires that work can only be performed outside the normal 5 am to 6pm shift, then the special shift premium will be applied to the basic hourly rate. When an employee works on a special shift, they shall be paid a special shift premium for each hour worked unless they are in OT or Double-time status. (For example, the special shift premium does not waive the overtime requirements for work performed on Saturday or Sunday.)
- Y. Tide Work: When employees are called out between the hours of 6:00 p.m. and 6:00 a.m. to work on tide work (work located in the tide plane) all time worked shall be at one and one-half times the hourly rate of pay.
- Swinging Stage/Boatswains Chair: Employees working on a swinging state or boatswains chair or under conditions that require them to be tied off to allow their hands to be free shall receive seventy-five cents (\$0.75) per hour above the classification rate.

Note Codes Continued

8. Z. Workers working with supplied air on hazmat projects receive an additional \$1.00 per hour.

Special Shift Premium: Basic hourly rate plus \$2.00 per hour. When due to conditions beyond the control of the Employer or when an owner (not acting as a contractor), a government agency or the contract specifications require that more than (4) hours of a special shift can only be performed outside the normal 6 am to 6pm shift, then the special shift premium will be applied to the basic straight time for the entire shift. When an employee works on a special shift, they will be paid a special shift premium for each hour worked unless they are in overtime or double-time status. (For example, the special shift premium does not waive the overtime requirements for work performed on Saturday or Sunday.)

9. A. Workers working with supplied air on hazmat projects receive an additional \$1.00 per hour.

Special Shift Premium: Basic hourly rate plus \$2.00 per hour. When due to conditions beyond the control of the Employer or when an owner (not acting as the contractor), a government agency or the contract specifications require that more than four (4) hours of a special shift can only be performed outside the normal 6 am to 6pm shift, then the special shift premium will be applied to the basic straight time for the entire shift. When an employee works on a special shift, they shall be paid a special shift premium for each hour worked unless they are in overtime or double-time status. (For example, the special shift premium does not waive the overtime requirements for work performed on Saturday or Sunday.)

Certified Crane Operator Premium: Crane operators requiring certifications shall be paid \$0.50 per hour above their classification rate.

Boom Pay Premium: All cranes including tower shall be paid as follows based on boom length:

(A) – 130’ to 199’ – \$0.50 per hour over their classification rate.

(B) – 200’ to 299’ – \$0.80 per hour over their classification rate.

(C) – 300’ and over – \$1.00 per hour over their classification rate.

- B. The highest pressure registered on the gauge for an accumulated time of more than fifteen (15) minutes during the shift shall be used in determining the scale paid.

Tide Work: When employees are called out between the hours of 6:00 p.m. and 6:00 a.m. to work on tide work (work located in the tide plane) all time worked shall be at one and one-half times the hourly rate of pay. Swinging Stage/Boatswains Chair: Employees working on a swinging stage or boatswains chair or under conditions that require them to be tied off to allow their hands to be free shall receive seventy-five cents (\$0.75) per hour above the classification rate.

- C. Tide Work: When employees are called out between the hours of 6:00 p.m. and 6:00 a.m. to work on tide work (work located in the tide plane) all time worked shall be at one and one-half times the hourly rate of pay. Swinging Stage/Boatswains Chair: Employees working on a swinging stage or boatswains chair or under conditions that require them to be tied off to allow their hands to be free shall receive seventy-five cents (\$0.75) per hour above the classification rate.

Effective August 31, 2012 – A Traffic Control Supervisor shall be present on the project whenever flagging or spotting or other traffic control labor is being utilized. A Traffic Control Laborer performs the setup, maintenance and removal of all temporary traffic control devices and construction signs necessary to control vehicular, bicycle, and pedestrian traffic during construction operations. Flaggers and Spotters shall be posted where shown on approved Traffic Control Plans or where directed by the Engineer. All flaggers and spotters shall possess a current flagging card issued by the State of Washington, Oregon, Montana, or Idaho. These classifications are only effective on or after August 31, 2012.

Note Codes Continued

- 9. D. Industrial Painter wages are required for painting within industrial facilities such as treatment plants, pipelines, towers, dams, bridges, power generation facilities and manufacturing facilities such as chemical plants, etc., or anywhere abrasive blasting is necessary to prepare surfaces, or hazardous materials encapsulation is required.
- E. Heavy Construction includes construction, repair, alteration or additions to the production, fabrication or manufacturing portions of industrial or manufacturing plants, hydroelectric or nuclear power plants and atomic reactor construction. Workers on hazmat projects receive additional hourly premiums as follows -Level A: \$1.00, Level B: \$0.75, Level C: \$0.50, And Level D: \$0.25.
- F. Industrial Painter wages are required for painting within industrial facilities such as treatment plants, pipelines, towers, dams, power generation facilities and manufacturing facilities such as chemical plants, etc., or anywhere abrasive blasting is necessary to prepare surfaces, or hazardous materials encapsulation is required.

"General Decision Number: WA20200001 09/11/2020

Superseded General Decision Number: WA20190001

State: Washington

Construction Type: Highway

Counties: Washington Statewide.

HIGHWAY (Excludes D.O.E. Hanford Site in Benton and Franklin Counties)

Note: Under Executive Order (EO) 13658, an hourly minimum wage of \$10.80 for calendar year 2020 applies to all contracts subject to the Davis-Bacon Act for which the contract is awarded (and any solicitation was issued) on or after January 1, 2015. If this contract is covered by the EO, the contractor must pay all workers in any classification listed on this wage determination at least \$10.80 per hour (or the applicable wage rate listed on this wage determination, if it is higher) for all hours spent performing on the contract in calendar year 2020. If this contract is covered by the EO and a classification considered necessary for performance of work on the contract does not appear on this wage determination, the contractor must pay workers in that classification at least the wage rate determined through the conformance process set forth in 29 CFR 5.5(a)(1)(ii) (or the EO minimum wage rate, if it is higher than the conformed wage rate). The EO minimum wage rate will be adjusted annually. Please note that this EO applies to the above-mentioned types of contracts entered into by the federal government that are subject to the Davis-Bacon Act itself, but it does not apply to contracts subject only to the Davis-Bacon Related Acts, including those set forth at 29 CFR 5.1(a)(2)-(60). Additional information on contractor requirements and worker protections under the EO is available at www.dol.gov/whd/govcontracts.

Modification Number	Publication Date
0	01/03/2020
1	02/14/2020
2	02/28/2020
3	03/06/2020
4	03/13/2020
5	05/01/2020
6	07/03/2020
7	07/10/2020
8	07/24/2020
9	08/07/2020
10	08/14/2020
11	09/11/2020

CARP0003-006 06/01/2018

SOUTHWEST WASHINGTON: CLARK, COWLITZ, KLICKITAT, LEWIS (Piledriver only), PACIFIC (South of a straight line made by extending the north boundary line of Wahkiakum County west to Willapa Bay to the Pacific Ocean), SKAMANIA, and WAHKIAKUM Counties.

	Rates	Fringes
Carpenters:		
CARPENTERS.....	\$ 37.64	16.83
DIVERS TENDERS.....	\$ 43.73	16.83
DIVERS.....	\$ 87.73	16.83
DRYWALL.....	\$ 37.64	16.83
MILLWRIGHTS.....	\$ 38.17	16.83
PILEDRIVERS.....	\$ 38.71	16.83

DEPTH PAY:
 50 TO 100 FEET \$1.00 PER FOOT OVER 50 FEET
 101 TO 150 FEET \$1.50 PER FOOT OVER 101 FEET
 151 TO 200 FEET \$2.00 PER FOOT OVER 151 FEET

Zone Differential (Add up Zone 1 rates):
 Zone 2 - \$0.85
 Zone 3 - 1.25
 Zone 4 - 1.70
 Zone 5 - 2.00
 Zone 6 - 3.00

BASEPOINTS: ASTORIA, LONGVIEW, PORTLAND, THE DALLES, AND VANCOUVER, (NOTE: All dispatches for Washington State Counties: Cowlitz, Wahkiakum and Pacific shall be from Longview Local #1707 and mileage shall be computed from that point.)

ZONE 1: Projects located within 30 miles of the respective city hall of the above mentioned cities
 ZONE 2: Projects located more than 30 miles and less than 40 miles of the respective city of the above mentioned cities
 ZONE 3: Projects located more than 40 miles and less than 50 miles of the respective city of the above mentioned cities
 ZONE 4: Projects located more than 50 miles and less than 60 miles of the respective city of the above mentioned cities.
 ZONE 5: Projects located more than 60 miles and less than 70 miles of the respective city of the above mentioned cities
 ZONE 6: Projects located more than 70 miles of the respected city of the above mentioned cities

CARP0030-004 06/01/2019

CLALLAM, GRAYS HARBOR, ISLAND, JEFFERSON, KING, KITSAP, LEWIS, MASON, PACIFIC (North of a straight line made by extending the north boundary line of Wahkiakum County west to the Pacific Ocean), PIERCE, SAN JUAN, SKAGIT, SNOHOMISH, THURSTON AND WHATCOM Counties

	Rates	Fringes
CARPENTER		
BRIDGE CARPENTERS.....	\$ 45.92	16.52
CARPENTERS ON CREOSOTE MATERIAL.....	\$ 46.02	16.52
CARPENTERS.....	\$ 45.92	16.52
DIVERS TENDER.....	\$ 50.79	16.52
DIVERS.....	\$ 99.68	16.52
MILLWRIGHT AND MACHINE ERECTORS.....	\$ 47.42	16.52
PILEDRIVER, DRIVING, PULLING, CUTTING, PLACING COLLARS, SETTING, WELDING OR CRESOTE TREATED MATERIAL, ALL PILING.....	\$ 46.17	16.52

(HOURLY ZONE PAY: WESTERN AND CENTRAL WASHINGTON - ALL CLASSIFICATIONS EXCEPT MILLWRIGHTS AND PILEDRIVERS

Hourly Zone Pay shall be paid on jobs located outside of the free zone computed from the city center of the following listed cities:

Seattle	Olympia	Bellingham
Auburn	Bremerton	Anacortes
Renton	Shelton	Yakima
Aberdeen-Hoquiam	Tacoma	Wenatchee
Ellensburg	Everett	Port Angeles
Centralia	Mount Vernon	Sunnyside
Chelan	Pt. Townsend	

Zone Pay:

0 -25 radius miles	Free
26-35 radius miles	\$1.00/hour
36-45 radius miles	\$1.15/hour
46-55 radius miles	\$1.35/hour
Over 55 radius miles	\$1.55/hour

(HOURLY ZONE PAY: WESTERN AND CENTRAL WASHINGTON - MILLWRIGHT AND PILEDRIVER ONLY)

Hourly Zone Pay shall be computed from Seattle Union Hall, Tacoma City center, and Everett City center

Zone Pay:

0 -25 radius miles	Free
26-45 radius miles	\$.70/hour
Over 45 radius miles	\$1.50/hour

 CARP0059-002 06/01/2019

ADAMS, ASOTIN, BENTON, CHELAN (East of 120th meridian),
 COLUMBIA, DOUGLAS, FERRY, FRANKLIN, GARFIELD, GRANT (East of
 120th meridian), KITTITAS (East of 120th meridian), LINCOLN,
 OKANOGAN (East of 120th meridian), PEND OREILLE, SPOKANE,
 STEVENS, WALLA WALLA, WHITMAN, and YAKIMA (East of 120th
 meridian) Counties

	Rates	Fringes
CARPENTER		
GROUP 1.....	\$ 35.47	16.88
GROUP 2.....	\$ 47.42	18.96
GROUP 3.....	\$ 36.66	16.88
GROUP 4.....	\$ 36.66	16.88
GROUP 5.....	\$ 83.96	16.88
GROUP 6.....	\$ 40.23	16.88
GROUP 7.....	\$ 41.23	16.88
GROUP 8.....	\$ 37.66	16.88
GROUP 9.....	\$ 44.23	16.88

CARPENTER & DIVER CLASSIFICATIONS:

GROUP 1: Carpenter

GROUP 2: Millwright, Machine Erector

GROUP 3: Piledriver - includes driving, pulling, cutting,
 placing collars, setting, welding, or creosote treated
 material, on all piling

GROUP 4: Bridge, Dock, and Wharf carpenters

GROUP 5: Diver Wet

GROUP 6: Diver Tender, Manifold Operator, ROV Operator

GROUP 7: Diver Standby

GROUP 8: Assistant Diver Tender, ROV Tender/Technician

GROUP 9: Manifold Operator-Mixed Gas

ZONE PAY:

ZONE 1	0-45 MILES	FREE
ZONE 2	45-100	\$4.00/PER HOUR
ZONE 3	OVER 100 MILES	\$6.00/PER HOUR

DISPATCH POINTS:

CARPENTERS/MILLWRIGHTS: PASCO (515 N Neel Street) or Main Post Office of established residence of employee (Whichever is closest to the worksite).

CARPENTERS/PILEDRIVER: SPOKANE (127 E. AUGUSTA AVE.) or Main Post Office of established residence of employee (Whichever is closest to the worksite).

CARPENTERS: WENATCHEE (27 N. CHELAN) or Main Post Office of established residence of employee (Whichever is closest to the worksite).

CARPENTERS: COEUR D' ALENE (1839 N. GOVERNMENT WAY) or Main Post Office of established residence of employee (Whichever is closest to the worksite).

CARPENTERS: MOSCOW (306 N. JACKSON) or Main Post Office of established residence of employee (Whichever is closest to the worksite).

DEPTH PAY FOR DIVERS BELOW WATER SURFACE:

50-100 feet \$2.00 per foot
101-150 feet \$3.00 per foot
151-220 feet \$4.00 per foot
221 feet and deeper \$5.00 per foot

PREMIUM PAY FOR DIVING IN ENCLOSURES WITH NO VERTICAL ASCENT:

0-25 feet Free
26-300 feet \$1.00 per Foot

SATURATION DIVING:

The standby rate applies until saturation starts. The saturation diving rate applies when divers are under pressure continuously until work task and decompression are complete. the diver rate shall be paid for all saturation hours.

WORK IN COMBINATION OF CLASSIFICATIONS:

Employees working in any combination of classifications within the diving crew (except dive supervisor) in a shift are paid in the classification with the highest rate for that shift.

HAZMAT PROJECTS:

Anyone working on a HAZMAT job (task), where HAZMAT certification is required, shall be compensated at a premium, in addition to the classification working in as follows:

LEVEL D + \$.25 per hour - This is the lowest level of protection. No respirator is used and skin protection is minimal.

LEVEL C + \$.50 per hour - This level uses an air purifying respirator or additional protective clothing.

LEVEL B + \$.75 per hour - Uses same respirator protection as Level A. Supplied air line is provided in conjunction with a chemical "splash suit".

LEVEL A +\$1.00 per hour - This level utilizes a fully encapsulated suit with a self-contained breathing apparatus or a supplied air line.

 CARP0770-003 06/01/2019

WEST OF 120TH MERIDIAN FOR THE FOLLOWING COUNTIES:
 CHELAN, DOUGLAS, GRANT, KITTITAS, OKANOGAN, and YAKIMA

	Rates	Fringes
CARPENTER		
CARPENTERS ON CREOSOTE		
MATERIAL.....	\$ 46.02	16.52
CARPENTERS.....	\$ 45.92	16.52
DIVERS TENDER.....	\$ 50.79	16.52
DIVERS.....	\$ 99.68	16.52
MILLWRIGHT AND MACHINE		
ERECTORS.....	\$ 47.42	16.52
PILEDRIVER, DRIVING, PULLING, CUTTING, PLACING COLLARS, SETTING, WELDING OR CRESOTE TREATED		
MATERIAL, ALL PILING.....	\$ 46.17	16.52

(HOURLY ZONE PAY: WESTERN AND CENTRAL WASHINGTON - ALL CLASSIFICATIONS EXCEPT MILLWRIGHTS AND PILEDRIVERS

Hourly Zone Pay shall be paid on jobs located outside of the free zone computed from the city center of the following listed cities:

Seattle	Olympia	Bellingham
Auburn	Bremerton	Anacortes
Renton	Shelton	Yakima
Aberdeen-Hoquiam	Tacoma	Wenatchee
Ellensburg	Everett	Port Angeles
Centralia	Mount Vernon	Sunnyside
Chelan	Pt. Townsend	

Zone Pay:

0 -25 radius miles	Free
26-35 radius miles	\$1.00/hour
36-45 radius miles	\$1.15/hour
46-55 radius miles	\$1.35/hour
Over 55 radius miles	\$1.55/hour

(HOURLY ZONE PAY: WESTERN AND CENTRAL WASHINGTON - MILLWRIGHT AND PILEDRIVER ONLY)

Hourly Zone Pay shall be computed from Seattle Union Hall, Tacoma City center, and Everett City center

Zone Pay:

0 -25 radius miles Free
 26-45 radius miles \$.70/hour
 Over 45 radius miles \$1.50/hour

*** ELEC0046-001 08/03/2020**

CALLAM, JEFFERSON, KING AND KITSAP COUNTIES

	Rates	Fringes
CABLE SPLICER.....	\$ 59.91	3%+21.46
ELECTRICIAN.....	\$ 58.78	3%+22.51

* ELEC0048-003 01/01/2020

CLARK, KLICKITAT AND SKAMANIA COUNTIES

	Rates	Fringes
CABLE SPLICER.....	\$ 44.22	21.50
ELECTRICIAN.....	\$ 47.85	24.41

HOURLY ZONE PAY:

Hourly Zone Pay shall be paid on jobs located outside of the free zone computed from the city center of the following listed cities:

Portland, The Dalles, Hood River, Tillamook, Seaside and Astoria

Zone Pay:

Zone 1: 31-50 miles \$1.50/hour
 Zone 2: 51-70 miles \$3.50/hour
 Zone 3: 71-90 miles \$5.50/hour
 Zone 4: Beyond 90 miles \$9.00/hour

*These are not miles driven. Zones are based on Delorme Street Atlas USA 2006 plus.

ELEC0048-029 01/01/2020

COWLITZ AND WAHAKIAKUM COUNTY

	Rates	Fringes
CABLE SPLICER.....	\$ 44.22	21.50
ELECTRICIAN.....	\$ 47.85	24.41

ELEC0073-001 01/01/2020

ADAMS, FERRY, LINCOLN, PEND OREILLE, SPOKANE, STEVENS, WHITMAN
COUNTIES

	Rates	Fringes
CABLE SPLICER.....	\$ 34.10	16.68
ELECTRICIAN.....	\$ 36.05	19.23

ELEC0076-002 08/31/2018

GRAYS HARBOR, LEWIS, MASON, PACIFIC, PIERCE, AND THURSTON
COUNTIES

	Rates	Fringes
CABLE SPLICER.....	\$ 48.06	23.23
ELECTRICIAN.....	\$ 43.69	23.10

ELEC0112-005 06/01/2019

ASOTIN, BENTON, COLUMBIA, FRANKLIN, GARFIELD, KITTITAS, WALLA
WALLA, YAKIMA COUNTIES

	Rates	Fringes
CABLE SPLICER.....	\$ 48.35	21.13
ELECTRICIAN.....	\$ 46.05	21.06

ELEC0191-003 06/01/2020

ISLAND, SAN JUAN, SNOHOMISH, SKAGIT AND WHATCOM COUNTIES

	Rates	Fringes
CABLE SPLICER.....	\$ 44.23	17.73
ELECTRICIAN.....	\$ 47.95	26.16

ELEC0191-004 06/01/2018

CHELAN, DOUGLAS, GRANT AND OKANOGAN COUNTIES

	Rates	Fringes
CABLE SPLICER.....	\$ 40.82	17.63
ELECTRICIAN.....	\$ 42.45	21.34

ENGI0302-003 06/01/2020

CHELAN (WEST OF THE 120TH MERIDIAN), CLALLAM, DOUGLAS (WEST OF THE 120TH MERIDIAN), GRAYS HARBOR, ISLAND, JEFFERSON, KING, KITSAP, KITTITAS, MASON, OKANOGAN (WEST OF THE 120TH MERIDIAN), SAN JUNA, SKAGIT, SNOHOMISH, WHATCOM AND YAKIMA (WEST OF THE 120TH MERIDIAN) COUNTIES

Zone 1 (0-25 radius miles):

	Rates	Fringes
POWER EQUIPMENT OPERATOR		
Group 1A.....	\$ 48.41	22.47
Group 1AA.....	\$ 49.13	22.47
Group 1AAA.....	\$ 49.83	22.47
Group 1.....	\$ 47.70	22.47
Group 2.....	\$ 47.08	22.47
Group 3.....	\$ 46.55	22.47
Group 4.....	\$ 43.54	22.47

Zone Differential (Add to Zone 1 rates):

Zone 2 (26-45 radius miles) - \$1.00

Zone 3 (Over 45 radius miles) - \$1.30

BASEPOINTS: Aberdeen, Bellingham, Bremerton, Everett, Kent, Mount Vernon, Port Angeles, Port Townsend, Seattle, Shelton, Wenatchee, Yakima

POWER EQUIPMENT OPERATORS CLASSIFICATIONS

GROUP 1AAA - Cranes-over 300 tons, or 300 ft of boom
(including jib with attachments)

GROUP 1AA - Cranes 200 to 300 tons, or 250 ft of boom
(including jib with attachments); Tower crane over 175 ft
in height, base to boom

GROUP 1A - Cranes, 100 tons thru 199 tons, or 150 ft of boom
(including jib with attachments); Crane-overhead, bridge
type, 100 tons and over; Tower crane up to 175 ft in height
base to boom; Loaders-overhead, 8 yards and over; Shovels,
excavator, backhoes-6 yards and over with attachments

GROUP 1 - Cableway; Cranes 45 tons thru 99 tons, under 150 ft of boom (including jib with attachments); Crane-overhead, bridge type, 45 tons thru 99 tons; Derricks on building work; Excavator, shovel, backhoes over 3 yards and under 6 yards; Hard tail end dump articulating off-road equipment 45 yards and over; Loader- overhead 6 yards to, but not including 8 yards; Mucking machine, mole, tunnel, drill and/or shield; Quad 9, HD 41, D-10; Remote control operator on rubber tired earth moving equipment; Rollagon; Scrapers-self propelled 45 yards and over; Slipform pavers; Transporters, all truck or track type

GROUP 2 - Barrier machine (zipper); Batch Plant Operaor-Concrete; Bump Cutter; Cranes, 20 tons thru 44 tons with attachments; Crane-overhead, bridge type-20 tons through 44 tons; Chipper; Concrete Pump-truck mount with boom attachment; Crusher; Deck Engineer/Deck Winches (power); Drilling machine; Excavator, shovel, backhoe-3yards and under; Finishing Machine, Bidwell, Gamaco and similar equipment; Guardrail punch; Horizontal/directional drill operator; Loaders-overhead under 6 yards; Loaders-plant feed; Locomotives-all; Mechanics-all; Mixers-asphalt plant; Motor patrol graders-finishing; Piledriver (other than crane mount); Roto-mill, roto-grinder; Screedman, spreader, topside operator-Blaw Knox, Cedar Rapids, Jaeger, Caterpillar, Barbar Green; Scraper-self propelled, hard tail end dump, articulating off-road equipment-under 45 yards; Subgrade trimmer; Tractors, backhoes-over 75 hp; Transfer material service machine-shuttle buggy, blaw knox-roadtec; Truck crane oiler/driver-100 tons and over; Truck Mount portable conveyor; Yo Yo Pay dozer

GROUP 3 - Conveyors; Cranes-thru 19 tons with attachments; A-frame crane over 10 tons; Drill oilers-auger type, truck or crane mount; Dozers-D-9 and under; Forklift-3000 lbs. and over with attachments; Horizontal/directional drill locator; Outside hoists-(elevators and manlifts), air tuggers, strato tower bucket elevators; Hydralifts/boom trucks over 10 tons; Loader-elevating type, belt; Motor patrol grader-nonfinishing; Plant oiler- asphalt, crusher; Pumps-concrete; Roller, plant mix or multi-lift materials; Saws-concrete; Scrpers-concrete and carry-all; Service engineer-equipment; Trenching machines; Truck Crane Oiler/Driver under 100 tons; Tractors, backhoe 75 hp and under

GROUP 4 - Assistant Engineer; Bobcat; Brooms; Compressor; Concrete finish mahine-laser screed; Cranes-A frame-10 tons and under; Elevator and Manlift-permanent or shaft type; Gradechecker, Stakehop; Forklifts under 3000 lbs. with attachments; Hydralifts/boom trucks, 10 tons and under; Oil distributors, blower distribution and mulch seeding operator; Pavement breaker; Posthole digger, mechanical; Power plant; Pumps, water; Rigger and Bellman; Roller-other than plant mix; Wheel Tractors, farmall type; Shotcrete/gunite equipment operator

HANDLING OF HAZARDOUS WASTE MATERIALS:

Personnel in all craft classifications subject to working inside a federally designated hazardous perimeter shall be eligible for compensation in accordance with the following group schedule relative to the level of hazardous waste as outlined in the specific hazardous waste project site safety plan.

H-1 Base wage rate when on a hazardous waste site when not outfitted with protective clothing

H-2 Class "C" Suit - Base wage rate plus \$.25 per hour.

H-3 Class "B" Suit - Base wage rate plus \$.50 per hour.

H-4 Class "A" Suit - Base wage rate plus \$.75 per hour.

ENGI0370-002 07/01/2019

ADAMS, ASOTIN, BENTON, CHELAN (EAST OF THE 120TH MERIDIAN), COLUMBIA, DOUGLAS (EAST OF THE 120TH MERIDIAN), FERRY, FRANKLIN, GARFIELD, GRANT, LINCOLN, OKANOGAN (EAST OF THE 120TH MERIDIAN), PEND OREILLE, SPOKANE, STEVENS, WALLA WALLA, WHITMAN AND YAKIMA (EAST OF THE 120TH MERIDIAN) COUNTIES

ZONE 1:

	Rates	Fringes
POWER EQUIPMENT OPERATOR		
GROUP 1.....	\$ 28.46	17.25
GROUP 2.....	\$ 28.78	17.25
GROUP 3.....	\$ 29.39	17.25
GROUP 4.....	\$ 29.55	17.25
GROUP 5.....	\$ 29.71	17.25
GROUP 6.....	\$ 29.99	17.25
GROUP 7.....	\$ 30.26	17.25
GROUP 8.....	\$ 31.36	17.25

ZONE DIFFERENTIAL (Add to Zone 1 rate): Zone 2 - \$2.00

Zone 1: Within 45 mile radius of Spokane, Pasco, Washington; Lewiston, Idaho

Zone 2: Outside 45 mile radius of Spokane, Pasco, Washington; Lewiston, Idaho

POWER EQUIPMENT OPERATORS CLASSIFICATIONS

GROUP 1: Bit Grinders; Bolt Threading Machine; Compressors (under 2000 CFM, gas, diesel, or electric power); Deck Hand; Fireman & Heater Tender; Hydro-seeder, Mulcher, Nozzleman; Oiler Driver, & Cable Tender, Mucking Machine; Pumpman; Rollers, all types on subgrade, including seal and chip coatings (farm type, Case, John Deere & similar, or Compacting Vibrator), except when pulled by Dozer with operable blade; Welding Machine; Crane Oiler-Driver (CLD required) & Cable Tender, Mucking Machine

GROUP 2: A-frame Truck (single drum); Assistant Refrigeration Plant (under 1000 ton); Assistant Plant Operator, Fireman or Pugmixer (asphalt); Bagley or Stationary Scraper; Belt Finishing Machine; Blower Operator (cement); Cement Hog; Compressor (2000 CFM or over, 2 or more, gas diesel or electric power); Concrete Saw (multiple cut); Distributor Leverman; Ditch Witch or similar; Elevator Hoisting Materials; Dope Pots (power agitated); Fork Lift or Lumber Stacker, hydra-lift & similar; Gin Trucks (pipeline); Hoist, single drum; Loaders (bucket elevators and conveyors); Longitudinal Float; Mixer (portable-concrete); Pavement Breaker, Hydra-Hammer & similar; Power Broom; Railroad Ballast Regulation Operator (self-propelled); Railroad Power Tamper Operator (self-propelled); Railroad Tamper Jack Operator (self-propelled); Spray Curing Machine (concrete); Spreader Box (self-propelled); Straddle Buggy (Ross & similar on construction job only); Tractor (Farm type R/T with attachment, except Backhoe); Tugger Operator

GROUP 3: A-frame Truck (2 or more drums); Assistant Refrigeration Plant & Chiller Operator (over 1000 ton); Backfillers (Cleveland & similar); Batch Plant & Wet Mix Operator, single unit (concrete); Belt-Crete Conveyors with power pack or similar; Belt Loader (Kocal or similar); Bending Machine; Bob Cat (Skid Steer); Boring Machine (earth); Boring Machine (rock under 8 inch bit) (Quarry Master, Joy or similar); Bump Cutter (Wayne, Saginaw or similar); Canal Lining Machine (concrete); Chipper (without crane); Cleaning & Doping Machine (pipeline); Deck Engineer; Elevating Belt-type Loader (Euclid, Barber Green & similar); Elevating Grader-type Loader (Dumor, Adams or similar); Generator Plant Engineers (diesel or electric); Gunnite Combination Mixer & Compressor; Locomotive Engineer; Mixermobile; Mucking Machine; Posthole Auger or Punch; Pump (grout or jet); Soil Stabilizer (P & H or similar); Spreader Machine; Dozer/Tractor (up to D-6 or equivalent) and Traxcavator; Traverse Finish Machine; Turnhead Operator

GROUP 4: Concrete Pumps (squeeze-crete, flow-crete, pump-crete, Whitman & similar); Curb Extruder (asphalt or concrete); Drills (churn, core, calyx or diamond); Equipment Serviceman; Greaser & Oiler; Hoist (2 or more drums or Tower Hoist); Loaders (overhead & front-end, under 4 yds. R/T); Refrigeration Plant Engineer (under 1000 ton); Rubber-tired Skidders (R/T with or without attachments); Surface Heater & Plant Machine; Trenching Machines (under 7 ft. depth capacity); Turnhead (with re-screening); Vacuum Drill (reverse circulation drill under 8 inch bit)

GROUP 5: Backhoe (under 45,000 gw); Backhoe & Hoe Ram (under 3/4 yd.); Carrydeck & Boom Truck (under 25 tons); Cranes (25 tons & under), all attachments including clamshell, dragline; Derricks & Stifflegs (under 65 tons); Drilling Equipment (8 inch bit & over) (Robbins, reverse circulation & similar); Hoe Ram; Piledriving Engineers; Paving (dual drum); Railroad Track Liner Operatoer (self-propelled); Refrigeration Plant Engineer (1000 tons & over); Signalman (Whirleys, Highline Hammerheads or similar); Grade Checker

GROUP 6: Asphalt Plant Operator; Automatic Subgrader (Ditches & Trimmers) (Autograde, ABC, R.A. Hansen & similar on grade wire); Backhoe (45,000 gw and over to 110,000 gw); Backhoes & Hoe Ram (3/4 yd. to 3 yd.); Batch Plant (over 4 units); Batch & Wet Mix Operator (multiple units, 2 & incl. 4); Blade Operator (motor patrol & attachments); Cable Controller (dispatcher); Compactor (self-propelled with blade); Concrete Pump Boom Truck; Concrete Slip Form Paver; Cranes (over 25 tons, to and including 45 tons), all attachments including clamshell, dragline; Crusher, Grizzle & Screening Plant Operator; Dozer, 834 R/T & similar; Drill Doctor; Loader Operator (front-end & overhead, 4 yds. incl. 8 yds.); Multiple Dozer Units with single blade; Paving Machine (asphalt and concrete); Quad-Track or similar equipment; Roller (finishing asphalt pavement); Roto Mill (pavement grinder); Scrapers, all, rubber-tired; Screed Operator; Shovel (under 3 yds.); Trenching Machines (7 ft. depth & over); Tug Boat Operator Vector guzzler, super sucker; Lime Batch Tank Operator (REcycle Train); Lime Brain Operator (Recycle Train); Mobile Crusher Operator (Recycle Train)

GROUP 7: Backhoe (over 110,000 gw); Backhoes & Hoe Ram (3 yds & over); Blade (finish & bluetop) Automatic, CMI, ABC, Finish Athey & Huber & similar when used as automatic; Cableway Operators; Concrete Cleaning/Decontamination machine operator; Cranes (over 45 tons to but not including 85 tons), all attachments including clamshell and dragline; Derricks & Stiffleys (65 tons & over); Elevating Belt (Holland type); Heavy equipment robotics operator; Loader (360 degrees revolving Koehring Scooper or similar); Loaders (overhead & front-end, over 8 yds. to 10 yds.); Rubber-tired Scrapers (multiple engine with three or more scrapers); Shovels (3 yds. & over); Whirleys & Hammerheads, ALL; H.D. Mechanic; H.D. Welder; Hydraulic Platform Trailers (Goldhofer, Shaurerly and Similar); Ultra High Pressure Waterjet Cutting Tool System Operator (30,000 psi); Vacuum Blasting Machine Operator

GROUP 8: Cranes (85 tons and over, and all climbing, overhead, rail and tower), all attachments including clamshell, dragline; Loaders (overhead and front-end, 10 yards and over); Helicopter Pilot

BOOM PAY: (All Cranes, Including Tower)
 180 ft to 250 ft \$.50 over scale
 Over 250 ft \$.80 over scale

NOTE:

In computing the length of the boom on Tower Cranes, they shall be measured from the base of the Tower to the point of the boom.

HAZMAT:

Anyone working on HAZMAT jobs, working with supplied air shall receive \$1.00 an hour above classification.

 ENGI0612-001 09/28/2018

PIERCE County

ON PROJECTS DESCRIBED IN FOOTNOTE A BELOW, THE RATE FOR EACH GROUP SHALL BE 90% OF THE BASE RATE PLUS FULL FRINGE BENEFITS. ON ALL OTHER WORK, THE FOLLOWING RATES APPLY.

Zone 1 (0-25 radius miles):

	Rates	Fringes
POWER EQUIPMENT OPERATOR		
GROUP 1A.....	\$ 44.44	19.97
GROUP 1AA.....	\$ 45.09	19.97
GROUP 1AAA.....	\$ 45.73	19.97
GROUP 1.....	\$ 43.79	19.97
GROUP 2.....	\$ 43.23	19.97
GROUP 3.....	\$ 42.74	19.97
GROUP 4.....	\$ 40.01	19.97

Zone Differential (Add to Zone 1 rates):

Zone 2 (26-45 radius miles) = \$1.00

Zone 3 (Over 45 radius miles) - \$1.30

BASEPOINTS: CENTRALIA, OLYMPIA, TACOMA

POWER EQUIPMENT OPERATORS CLASSIFICATIONS

GROUP 1 AAA - Cranes-over 300 tons or 300 ft of boom
(including jib with attachments)

GROUP 1AA - Cranes- 200 tonsto 300 tons, or 250 ft of boom
(including jib with attachments; Tower crane over 175 ft in
height, bas to boom

GROUP 1A - Cranes, 100 tons thru 199 tons, or 150 ft of boom
(including jib with attachments); Crane-overhead, bridge
type, 100 tons and over; Tower crane up to 175 ft in height
base to boom; Loaders-overhead, 8 yards and over; Shovels,
excavator, backhoes-6 yards and over with attachments

GROUP 1 - Cableway; Cranes 45 tons thru 99 tons under 150 ft
of boom (including jib with attachments); Crane-overhead,
bridge type, 45 tons thru 99 tons; Derricks on building
work; Excavator, shovel, backhoes over 3 yards and under 6
yards; Hard tail end dump articulating off-road equipment
45 yards and over; Loader- overhead, 6 yards to, but not
including, 8 yards; Mucking machine, mole, tunnel, drill
and/or shield; Quad 9 HD 41, D-10; Remote control operator
on rubber tired earth moving equipment; Rollagon; Scrapers-
self-propelled 45 yards and over; Slipform pavers;
Transporters, all track or truck type

GROUP 2 - Barrier machine (zipper); Batch Plant Operator-
concrete; Bump Cutter; Cranes, 20 tons thru 44 tons with
attachments; Crane-Overhead, bridge type, 20 tons through
44 tons; Chipper; Concrete pump-truck mount with boom
attachment; Crusher; Deck engineer/deck winches (power);
Drilling machine; Excavator, shovel, backhoe-3 yards and
under; Finishing machine, Bidwell, Gamaco and similar
equipment; Guardrail punch; Loaders, overhead under 6
yards; Loaders-plant feed; Locomotives-all; Mechanics- all;
Mixers, asphalt plant; Motor patrol graders, finishing;
Piledriver (other than crane mount); Roto-mill, roto-
grinder; Screedman, spreader, topside operator-Blaw Knox,
Cedar Rapids, Jaeger, Caterpillar, Barbar Green;
Scraper-self- propelled, hard tail end dump, articulating
off-road equipment- under 45 yards; Subgrader trimmer;
Tractors, backhoe over 75 hp; Transfer material service
machine-shuttle buggy, Blaw Knox- Roadtec; Truck Crane
oiler/driver-100 tons and over; Truck Mount Portable
Conveyor; Yo Yo pay

GROUP 3 - Conveyors; Cranes through 19 tons with attachments; Crane-A-frame over 10 tons; Drill oilers-auger type, truck or crane mount; Dozer-D-9 and under; Forklift-3000 lbs. and over with attachments; Horizontal/directional drill locator; Outside Hoists-(elevators and manlifts), air tuggers, strato tower bucket elevators; Hydralifts/boom trucks over 10 tons; Loaders-elevating type, belt; Motor patrol grader-nonfinishing; Plant oiler- asphalt, crusher; Pump-Concrete; Roller, plant mix or multi-lfit materials; Saws-concrete; Scrapers, concrete and carry all; Service engineers-equipment; Trenching machines; Truck crane oiler/driver under 100 tons; Tractors, backhoe under 75 hp

GROUP 4 - Assistant Engineer; Bobcat; Brooms; Compressor; Concrete Finish Machine-laser screed; Cranes A-frame 10 tons and under; Elevator and manlift (permanent and shaft type); Forklifts-under 3000 lbs. with attachments; Gradechecker, stakehop; Hydralifts/boom trucks, 10 tons and under; Oil distributors, blower distribution and mulch seeding operator; Pavement breaker; Posthole digger-mechanical; Power plant; Pumps-water; Rigger and Bellman; Roller-other than plant mix; Wheel Tractors, farmall type; Shotcrete/gunite equipment operator

FOOTNOTE A- Reduced rates may be paid on the following:

1. Projects involving work on structures such as buildings and bridges whose total value is less than \$1.5 million excluding mechanical, electrical, and utility portions of the contract.
2. Projects of less than \$1 million where no building is involved. Surfacing and paving included, but utilities excluded.
3. Marine projects (docks, wharfs, etc.) less than \$150,000.

HANDLING OF HAZARDOUS WASTE MATERIALS: Personnel in all craft classifications subject to working inside a federally designated hazardous perimeter shall be elgible for compensation in accordance with the following group schedule relative to the level of hazardous waste as outlined in the specific hazardous waste project site safety plan.

H-1 Base wage rate when on a hazardous waste site when not outfitted with protective clothing, Class ""D"" Suit - Base wage rate plus \$.50 per hour.

H-2 Class ""C"" Suit - Base wage rate plus \$1.00 per hour.

H-3 Class ""B"" Suit - Base wage rate plus \$1.50 per hour.

H-4 Class ""A"" Suit - Base wage rate plus \$2.00 per hour.

ENGI0612-012 09/28/2018

LEWIS, PACIFIC (portion lying north of a parallel line extending west from the northern boundary of Wahkaikum County to the sea) AND THURSTON COUNTIES

ON PROJECTS DESCRIBED IN FOOTNOTE A BELOW, THE RATE FOR EACH GROUP SHALL BE 90% OF THE BASE RATE PLUS FULL FRINGE BENEFITS. ON ALL OTHER WORK, THE FOLLOWING RATES APPLY.

Zone 1 (0-25 radius miles):

	Rates	Fringes
POWER EQUIPMENT OPERATOR		
GROUP 1A.....	\$ 44.44	19.97
GROUP 1AA.....	\$ 45.09	19.97
GROUP 1AAA.....	\$ 45.73	19.97
GROUP 1.....	\$ 43.79	19.97
GROUP 2.....	\$ 43.23	19.97
GROUP 3.....	\$ 42.74	19.97
GROUP 4.....	\$ 40.01	19.97

Zone Differential (Add to Zone 1 rates):

Zone 2 (26-45 radius miles) = \$1.00

Zone 3 (Over 45 radius miles) - \$1.30

BASEPOINTS: CENTRALIA, OLYMPIA, TACOMA

POWER EQUIPMENT OPERATORS CLASSIFICATIONS

GROUP 1 AAA - Cranes-over 300 tons or 300 ft of boom
(including jib with attachments)

GROUP 1AA - Cranes- 200 tonsto 300 tons, or 250 ft of boom
(including jib with attachments; Tower crane over 175 ft in height, bas to boom

GROUP 1A - Cranes, 100 tons thru 199 tons, or 150 ft of boom
(including jib with attachments); Crane-overhead, bridge type, 100 tons and over; Tower crane up to 175 ft in height base to boom; Loaders-overhead, 8 yards and over; Shovels, excavator, backhoes-6 yards and over with attachments

GROUP 1 - Cableway; Cranes 45 tons thru 99 tons under 150 ft of boom (including jib with attachments); Crane-overhead, bridge type, 45 tons thru 99 tons; Derricks on building work; Excavator, shovel, backhoes over 3 yards and under 6 yards; Hard tail end dump articulating off-road equipment 45 yards and over; Loader- overhead, 6 yards to, but not including, 8 yards; Mucking machine, mole, tunnel, drill and/or shield; Quad 9 HD 41, D-10; Remote control operator on rubber tired earth moving equipment; Rollagon; Scrapers-self-propelled 45 yards and over; Slipform pavers; Transporters, all track or truck type

GROUP 2 - Barrier machine (zipper); Batch Plant Operator-concrete; Bump Cutter; Cranes, 20 tons thru 44 tons with attachments; Crane-Overhead, bridge type, 20 tons through 44 tons; Chipper; Concrete pump-truck mount with boom attachment; Crusher; Deck engineer/deck winches (power); Drilling machine; Excavator, shovel, backhoe-3 yards and under; Finishing machine, Bidwell, Gamaco and similar equipment; Guardrail punch; Loaders, overhead under 6 yards; Loaders-plant feed; Locomotives-all; Mechanics- all; Mixers, asphalt plant; Motor patrol graders, finishing; Piledriver (other than crane mount); Roto-mill, roto-grinder; Screedman, spreader, topside operator-Blaw Knox, Cedar Rapids, Jaeger, Caterpillar, Barbar Green; Scraper-self-propelled, hard tail end dump, articulating off-road equipment- under 45 yards; Subgrader trimmer; Tractors, backhoe over 75 hp; Transfer material service machine-shuttle buggy, Blaw Knox- Roadtec; Truck Crane oiler/driver-100 tons and over; Truck Mount Portable Conveyor; Yo Yo pay

GROUP 3 - Conveyors; Cranes through 19 tons with attachments; Crane-A-frame over 10 tons; Drill oilers-auger type, truck or crane mount; Dozer-D-9 and under; Forklift-3000 lbs. and over with attachments; Horizontal/directional drill locator; Outside Hoists-(elevators and manlifts), air tuggers, strato tower bucket elevators; Hydralifts/boom trucks over 10 tons; Loaders-elevating type, belt; Motor patrol grader-nonfinishing; Plant oiler- asphalt, crusher; Pump-Concrete; Roller, plant mix or multi-lfit materials; Saws-concrete; Scrapers, concrete and carry all; Service engineers-equipment; Trenching machines; Truck crane oiler/driver under 100 tons; Tractors, backhoe under 75 hp

GROUP 4 - Assistant Engineer; Bobcat; Brooms; Compressor; Concrete Finish Machine-laser screed; Cranes A-frame 10 tons and under; Elevator and manlift (permanent and shaft type); Forklifts-under 3000 lbs. with attachments; Gradechecker, stakehop; Hydralifts/boom trucks, 10 tons and under; Oil distributors, blower distribution and mulch seeding operator; Pavement breaker; Posthole digger-mechanical; Power plant; Pumps-water; Rigger and Bellman; Roller-other than plant mix; Wheel Tractors, farmall type; Shotcrete/gunite equipment operator

FOOTNOTE A- Reduced rates may be paid on the following:

1. Projects involving work on structures such as buildings and bridges whose total value is less than \$1.5 million excluding mechanical, electrical, and utility portions of the contract.
2. Projects of less than \$1 million where no building is involved. Surfacing and paving included, but utilities excluded.
3. Marine projects (docks, wharfs, etc.) less than \$150,000.

HANDLING OF HAZARDOUS WASTE MATERIALS: Personnel in all craft classifications subject to working inside a federally designated hazardous perimeter shall be eligible for compensation in accordance with the following group schedule relative to the level of hazardous waste as outlined in the specific hazardous waste project site safety plan.

H-1 Base wage rate when on a hazardous waste site when not outfitted with protective clothing, Class "D" Suit - Base wage rate plus \$.50 per hour.

H-2 Class "C" Suit - Base wage rate plus \$1.00 per hour.

H-3 Class "B" Suit - Base wage rate plus \$1.50 per hour.

H-4 Class "A" Suit - Base wage rate plus \$2.00 per hour.

 ENGI0701-002 01/01/2018

CLARK, COWLITZ, KLICKITAT, PACIFIC (SOUTH), SKAMANIA, AND WAHKIAKUM COUNTIES

POWER EQUIPMENT OPERATORS: ZONE 1

	Rates	Fringes
POWER EQUIPMENT OPERATOR		
GROUP 1.....	\$ 41.65	14.35
GROUP 1A.....	\$ 43.73	14.35
GROUP 1B.....	\$ 45.82	14.35
GROUP 2.....	\$ 39.74	14.35
GROUP 3.....	\$ 38.59	14.35
GROUP 4.....	\$ 37.51	14.35
GROUP 5.....	\$ 36.27	14.35
GROUP 6.....	\$ 33.05	14.35

Zone Differential (add to Zone 1 rates):

Zone 2 - \$3.00

Zone 3 - \$6.00

For the following metropolitan counties: MULTNOMAH; CLACKAMAS; MARION; WASHINGTON; YAMHILL; AND COLUMBIA; CLARK; AND COWLITZ COUNTY, WASHINGTON WITH MODIFICATIONS AS INDICATED:

All jobs or projects located in Multnomah, Clackamas and Marion Counties, West of the western boundary of Mt. Hood National Forest and West of Mile Post 30 on Interstate 84 and West of Mile Post 30 on State Highway 26 and West of Mile Post 30 on Highway 22 and all jobs or projects located in Yamhill County, Washington County and Columbia County and all jobs or projects located in Clark & Cowlitz County, Washington except that portion of Cowlitz County in the Mt. St. Helens "Blast Zone" shall receive Zone I pay for all classifications.

All jobs or projects located in the area outside the identified boundary above, but less than 50 miles from the Portland City Hall shall receive Zone II pay for all classifications.

All jobs or projects located more than 50 miles from the Portland City Hall, but outside the identified border above, shall receive Zone III pay for all classifications.

For the following cities: ALBANY; BEND; COOS BAY; EUGENE; GRANTS PASS; KLAMATH FALLS; MEDFORD; ROSEBURG

All jobs or projects located within 30 miles of the respective city hall of the above mentioned cities shall receive Zone I pay for all classifications.

All jobs or projects located more than 30 miles and less than 50 miles from the respective city hall of the above mentioned cities shall receive Zone II pay for all classifications.

All jobs or projects located more than 50 miles from the respective city hall of the above mentioned cities shall receive Zone III pay for all classifications.

POWER EQUIPMENT OPERATORS CLASSIFICATIONS

Group 1

Concrete Batch Plan and or Wet mix three (3) units or more; Crane, Floating one hundred and fifty (150) ton but less than two hundred and fifty (250) ton; Crane, two hundred (200) ton through two hundred ninety nine (299) ton with two hundred foot (200') boom or less (including jib, inserts and/or attachments); Crane, ninety (90) ton through one hundred ninety nine (199) ton with over two hundred (200') boom Including jib, inserts and/or attachments); Crane, Tower Crane with one hundred seventy five foot (175') tower or less and with less than two hundred foot (200') jib; Crane, Whirley ninety (90) ton and over; Helicopter when used in erecting work

Group 1A

Crane, floating two hundred fifty (250) ton and over; Crane, two hundred (200) ton through two hundred ninety nine (299) ton, with over two hundred foot (200') boom (including jib, inserts and/or attachments); Crane, three hundred (300) ton through three hundred ninety nine (399) ton; Crane, Tower Crane with over one hundred seventy five foot (175') tower or over two hundred foot (200') jib; Crane, tower Crane on rail system or 2nd tower or more in work radius

Group 1B

Crane, three hundred (300) ton through three hundred ninety nine (399) ton, with over two hundred foot (200') boom (including jib, inserts and/or attachments); Floating crane, three hundred fifty (350) ton and over; Crane, four hundred (400) ton and over

Group 2

Asphalt Plant (any type); Asphalt Roto-Mill, pavement profiler eight foot (8') lateral cut and over; Auto Grader or "Trimmer"; Blade, Robotic; Bulldozer, Robotic Equipment (any type); Bulldozer, over one hundred twenty thousand (120,000) lbs. and above; Concrete Batch Plant and/or Wet Mix one (1) and two (2) drum; Concrete Diamond Head Profiler; Canal Trimmer; Concrete, Automatic Slip Form Paver (Assistant to the Operator required); Crane, Boom Truck fifty (50) ton and with over one hundred fifty foot (150') boom and over; Crane, Floating (derrick barge) thirty (30) ton but less than one hundred fifty (150) ton; Crane, Cableway twenty-five (25) ton and over; Crane, Floating Clamshell three (3) cu. Yds. And over; Crane, ninety (90) ton through one hundred ninety nine (199) ton up to and including two hundred foot (200') of boom (including jib inserts and/or attachments); Crane, fifty (50) ton through eighty nine (89) ton with over one hundred fifty foot (150') boom (including jib inserts and/or attachments); Crane, Whirley under ninety (90) ton; Crusher Plant; Excavator over one hundred thirty thousand (130,000) lbs.; Loader one hundred twenty thousand (120,000) lbs. and above; Remote Controlled Earth Moving Equipment; Shovel, Dragline, Clamshell, five (5) cu. Yds. And over; Underwater Equipment remote or otherwise, when used in construction work; Wheel Excavator any size

Group 3

Bulldozer, over seventy thousand (70,000) lbs. up to and including one hundred twenty thousand (120,000) lbs.; Crane, Boom Truck fifty (50) ton and over with less than one hundred fifty foot (150') boom; Crane, fifty (50) ton through eighty nine (89) ton with one hundred fifty foot (150') boom or less (including jib inserts and/or attachments); Crane, Shovel, Dragline or Clamshell three (3) cu. yds. but less than five (5) cu. Yds.; Excavator over eighty thousand (80,000) lbs. through one hundred thirty thousand (130,000) lbs.; Loader sixty thousand (60,000) lbs. and less than one hundred twenty thousand (120,000) lbs.

Group 4

Asphalt, Screed; Asphalt Paver; Asphalt Roto-Mill, pavement profiler, under eight foot (8') lateral cut; Asphalt, Material Transfer Vehicle Operator; Back Filling Machine; Backhoe, Robotic, track and wheel type up to and including twenty thousand (20,000) lbs. with any attachments; Blade (any type); Boatman; Boring Machine; Bulldozer over twenty thousand (20,000) lbs. and more than one hundred (100) horse up to seventy thousand (70,000) lbs.; Cable-Plow (any type); Cableway up to twenty five (25) ton; Cat Drill (John Henry); Chippers; Compactor, multi-engine; Compactor, Robotic; Compactor with blade self-propelled; Concrete, Breaker; Concrete, Grout Plant; Concrete, Mixer Mobile; Concrete, Paving Road Mixer; Concrete, Reinforced Tank Banding Machine; Crane, Boom Truck twenty (20) ton and under fifty (50) ton; Crane, Bridge Locomotive, Gantry and Overhead; Crane, Carry Deck; Crane, Chicago Boom and similar types; Crane, Derrick Operator, under one hundred (100) ton; Crane, Floating Clamshell, Dragline, etc. Operator, under three (3) cu. yds. Or less than thirty (30) ton; Crane, under fifty (50) ton; Crane, Quick Tower under one hundred foot (100') in height and less than one hundred fifty foot (150') jib (on rail included); Diesel-Electric Engineer (Plant or Floating); Directional Drill over twenty thousand (20,000) lbs. pullback; Drill Cat Operator; Drill Doctor and/or Bit Grinder; Driller, Percussion, Diamond, Core, Cable, Rotary and similar type; Excavator Operator over twenty thousand (20,000) lbs. through eighty thousand (80,000) lbs.; Generator Operator; Grade-all; Guardrail Machines, i.e. punch, auger, etc.; Hammer Operator (Piledriver); Hoist, stiff leg, guy derrick or similar type, fifty (50) ton and over; Hoist, two (2) drums or more; Hydro Axe (loader mounted or similar type); Jack Operator, Elevating Barges, Barge Operator, self-unloading; Loader Operator, front end and overhead, twenty five thousand (25,000) lbs. and less than sixty thousand (60,000) lbs.; Log Skidders; Piledriver Operator (not crane type); Pipe, Bending, Cleaning, Doping and Wrapping Machines; Rail, Ballast Tamper Multi-Purpose; Rubber-tired Dozers and Pushers; Scraper, all types; Side-Boom; Skip Loader, Drag Box; Strump Grinder (loader mounted or similar type); Surface Heater and Planer; Tractor, rubber-tired, over fifty (50) HP Flywheel; Trenching Machine three foot (3') depth and deeper; Tub Grinder (used for wood debris); Tunnel Boring Machine Mechanic; Tunnel, Mucking Machine; Ultra High Pressure Water Jet Cutting Tool System Operator; Vacuum Blasting Machine Operator; Water pulls, Water wagons

Group 5

Asphalt, Extrusion Machine; Asphalt, Roller (any asphalt mix); Asphalt, Roto-Mill pavement profiler ground man; Bulldozer, twenty thousand (20,000) lbs. or less, or one hundred (100) horse or less; Cement Pump; Chip Spreading Machine; Churn Drill and Earth Boring Machine; Compactor, self-propelled without blade; Compressor, (any power) one thousand two hundred fifty (1,250) cu. ft. and over, total capacity; Concrete, Batch Plant Quality control; Concrete, Combination Mixer and compressor operator, gunite work; Concrete, Curb Machine, Mechanical Berm, Curb and/or Curb and Gutter; Concrete, Finishing Machine; Concrete, Grouting Machine; Concrete, Internal Full Slab Vibrator Operator; Concrete, Joint Machine; Concrete, Mixer single drum, any capacity; Concrete, Paving Machine eight foot (8') or less; Concrete, Planer; Concrete, Pump; Concrete, Pump Truck; Concrete, Pumpcrete Operator (any type); Concrete, Slip Form Pumps, power driven hydraulic lifting device for concrete forms; Conveyored Material Hauler; Crane, Boom Truck under twenty (20) tons; Crane, Boom Type lifting device, five (5) ton capacity or less; Drill, Directional type less than twenty thousand (20,000) lbs. pullback; Fork Lift, over ten (10) ton or Robotic; Helicopter Hoist; Hoist Operator, single drum; Hydraulic Backhoe track type up to and including twenty thousand (20,000) lbs.; Hydraulic Backhoe wheel type (any make); Laser Screed; Loaders, rubber-tired type, less than twenty five thousand (25,000) lbs.; Pavement Grinder and/or Grooving Machine (riding type); Pipe, cast in place Pipe Laying Machine; Pulva-Mixer or similar types; Pump Operator, more than five (5) pumps (any size); Rail, Ballast Compactor, Regulator, or Tamper machines; Service Oiler (Greaser); Sweeper Self-Propelled; Tractor, Rubber-Tired, fifty (50) HP flywheel and under; Trenching Machine Operator, maximum digging capacity three foot (3') depth; Tunnel, Locomotive, Dinkey; Tunnel, Power Jumbo setting slip forms, etc.

Group 6

Asphalt, Pugmill (any type); Asphalt, Raker; Asphalt, Truck Mounted Asphalt Spreader, with Screed; Auger Oiler; Boatman; Bobcat, skid steer (less than one (1) yard); Broom, self-propelled; Compressor Operator (any power) under 1,250 cu. ft. total capacity; Concrete Curing Machine (riding type); Concrete Saw; Conveyor Operator or Assistant; Crane, Tugger; Crusher Feeder; Crusher Oiler; Deckhand; Drill, Directional Locator; Fork Lift; Grade Checker; Guardrail Punch Oiler; Hydrographic Seeder Machine, straw, pulp or seed; Hydrostatic Pump Operator; Mixer Box (CTB, dry batch, etc.); Oiler; Plant Oiler; Pump (any power); Rail, Brakeman, Switchman, Motorman; Rail, Tamping Machine, mechanical, self-propelled; Rigger; Roller grading (not asphalt); Truck, Crane Oiler-Driver

IRON0014-005 07/01/2019

ADAMS, ASOTIN, BENTON, COLUMBIA, DOUGLAS, FERRY, FRANKLIN,
GARFIELD, GRANT, LINCOLN, OKANOGAN, PEND ORIELLE, SPOKANE,
STEVENS, WALLA WALLA AND WHITMAN COUNTIES

	Rates	Fringes
IRONWORKER.....	\$ 33.59	29.26

IRON0029-002 05/01/2018

CLARK, COWLITZ, KLICKITAT, PACIFIC, SKAMANIA, AND WAHKAIKUM
COUNTIES

	Rates	Fringes
IRONWORKER.....	\$ 37.00	27.87

IRON0086-002 07/01/2019

YAKIMA, KITTITAS AND CHELAN COUNTIES

	Rates	Fringes
IRONWORKER.....	\$ 33.59	29.26

IRON0086-004 07/01/2019

CLALLAM, GRAYS HARBOR, ISLAND, JEFFERSON, KING, KITSAP, LEWIS,
MASON, PIERCE, SKAGIT, SNOHOMISH, THURSTON, AND WHATCOM COUNTIES

	Rates	Fringes
IRONWORKER.....	\$ 42.35	29.56

LABO0238-004 06/01/2020

PASCO AREA: ADAMS, BENTON, COLUMBIA, DOUGLAS (East of 120th Meridian), FERRY, FRANKLIN, GRANT, OKANOGAN, WALLA WALLA

SPOKANE AREA: ASOTIN, GARFIELD, LINCOLN, PEND OREILLE, SPOKANE, STEVENS & WHITMAN COUNTIES

	Rates	Fringes
LABORER (PASCO)		
GROUP 1.....	\$ 26.69	13.65
GROUP 2.....	\$ 28.79	13.65
GROUP 3.....	\$ 29.06	13.65
GROUP 4.....	\$ 29.33	13.65
GROUP 5.....	\$ 29.61	13.65
LABORER (SPOKANE)		
GROUP 1.....	\$ 26.69	13.65
GROUP 2.....	\$ 28.79	13.65
GROUP 3.....	\$ 29.06	13.65
GROUP 4.....	\$ 29.33	13.65
GROUP 5.....	\$ 29.61	13.65

Zone Differential (Add to Zone 1 rate): \$2.00

BASE POINTS: Spokane, Pasco, Lewiston

Zone 1: 0-45 radius miles from the main post office.

Zone 2: 45 radius miles and over from the main post office.

LABORERS CLASSIFICATIONS

GROUP 1: Flagman; Landscape Laborer; Scaleman; Traffic Control Maintenance Laborer (to include erection and maintenance of barricades, signs and relief of flagperson); Window Washer/Cleaner (detail cleanup, such as, but not limited to cleaning floors, ceilings, walls, windows, etc. prior to final acceptance by the owner)

GROUP 2: Asbestos Abatement Worker; Brush Hog Feeder; Carpenter Tender; Cement Handler; Clean-up Laborer; Concrete Crewman (to include stripping of forms, hand operating jacks on slip form construction, application of concrete curing compounds, pumpcrete machine, signaling, handling the nozzle of squeezecrete or similar machine, 6 inches and smaller); Confined Space Attendant; Concrete Signalman; Crusher Feeder; Demolition (to include clean-up, burning, loading, wrecking and salvage of all material); Dumpman; Fence Erector; Firewatch; Form Cleaning Machine Feeder, Stacker; General Laborer; Grout Machine Header Tender; Guard Rail (to include guard rails, guide and reference posts, sign posts, and right-of-way markers); Hazardous Waste Worker, Level D (no respirator is used and skin protection is minimal); Miner, Class "A" (to include

all bull gang, concrete crewman, dumpman and pumpcrete crewman, including distributing pipe, assembly & dismantle, and nipper); Nipper; Riprap Man; Sandblast Tailhoseman; Scaffold Erector (wood or steel); Stake Jumper; Structural Mover (to include separating foundation, preparation, cribbing, shoring, jacking and unloading of structures); Tailhoseman (water nozzle); Timber Bucker and Faller (by hand); Track Laborer (RR); Truck Loader; Well-Point Man; All Other Work Classifications Not Specially Listed Shall Be Classified As General Laborer

GROUP 3: Asphalt Roller, walking; Cement Finisher Tender; Concrete Saw, walking; Demolition Torch; Dope Pot Firemen, non-mechanical; Driller Tender (when required to move and position machine); Form Setter, Paving; Grade Checker using level; Hazardous Waste Worker, Level C (uses a chemical "splash suit" and air purifying respirator); Jackhammer Operator; Miner, Class "B" (to include brakeman, finisher, vibrator, form setter); Nozzleman (to include squeeze and flo-crete nozzle); Nozzleman, water, air or steam; Pavement Breaker (under 90 lbs.); Pipelayer, corrugated metal culvert; Pipelayer, multi-plate; Pot Tender; Power Buggy Operator; Power Tool Operator, gas, electric, pneumatic; Railroad Equipment, power driven, except dual mobile power spiker or puller; Railroad Power Spiker or Puller, dual mobile; Rodder and Spreader; Tamper (to include operation of Barco, Essex and similar tampers); Trencher, Shawnee; Tugger Operator; Wagon Drills; Water Pipe Liner; Wheelbarrow (power driven)

GROUP 4: Air and Hydraulic Track Drill; Asphalt Raker; Brush Machine (to include horizontal construction joint cleanup brush machine, power propelled); Caisson Worker, free air; Chain Saw Operator and Faller; Concrete Stack (to include laborers when laborers working on free standing concrete stacks for smoke or fume control above 40 feet high); Guniting (to include operation of machine and nozzle); Hazardous Waste Worker, Level B (uses same respirator protection as Level A. A supplied air line is provided in conjunction with a chemical "splash suit"); High Scaler; Laser Beam Operator (to include grade checker and elevation control); Miner, Class C (to include miner, nozzleman for concrete, laser beam operator and rigger on tunnels); Monitor Operator (air track or similar mounting); Mortar Mixer; Nozzleman (to include jet blasting nozzleman, over 1,200 lbs., jet blast machine power propelled, sandblast nozzle); Pavement Breaker (90 lbs. and over); Pipelayer (to include working topman, caulker, collarman, jointer, mortarman, rigger, jacker, shorer, valve or meter installer); Pipewrapper; Plasterer Tender; Vibrators (all)

GROUP 5 - Drills with Dual Masts; Hazardous Waste Worker, Level A (utilizes a fully encapsulated suit with a self-contained breathing apparatus or a supplied air line); Miner Class "D", (to include raise and shaft miner, laser beam operator on riases and shafts)

 LABO0238-006 06/01/2019

COUNTIES EAST OF THE 120TH MERIDIAN: ADAMS, ASOTIN, BENTON,
 CHELAN, COLUMBIA, DOUGLAS, FERRY, FRANKLIN, GARFIELD, GRANT,
 LINCOLN, OKANOGAN, PEND OREILLE, STEVENS, SPOKANE, WALLA WALLA,
 WHITMAN

	Rates	Fringes
Hod Carrier.....	\$ 27.95	12.90

LABO0242-003 06/01/2020

KING COUNTY

	Rates	Fringes
LABORER		
GROUP 1.....	\$ 27.78	12.35
GROUP 2A.....	\$ 31.82	12.35
GROUP 3.....	\$ 39.81	12.35
GROUP 4.....	\$ 40.77	12.35
GROUP 5.....	\$ 41.43	12.35
Group 6.....	\$ 41.43	12.35

BASE POINTS: BELLINGHAM, MT. VERNON, EVERETT, SEATTLE, KENT,
 TACOMA, OLYMPIA, CENTRALIA, ABERDEEN, SHELTON, PT.
 TOWNSEND, PT. ANGELES, AND BREMERTON

- ZONE 1 - Projects within 25 radius miles of the respective city hall
- ZONE 2 - More than 25 but less than 45 radius miles from the respective city hall
- ZONE 3 - More than 45 radius miles from the respective city hall

ZONE DIFFERENTIAL (ADD TO ZONE 1 RATES):
 ZONE 2 - \$1.00
 ZONE 3 - \$1.30

BASE POINTS: CHELAN, SUNNYSIDE, WENATCHEE, AND YAKIMA

- ZONE 1 - Projects within 25 radius miles of the respective city hall
- ZONE 2 - More than 25 radius miles from the respective city hall

ZONE DIFFERENTIAL (ADD TO ZONE 1 RATES):
 ZONE 2 - \$2.25

LABORERS CLASSIFICATIONS

GROUP 1: Landscaping and Planting; Watchman; Window Washer/Cleaner (detail clean-up, such as but not limited to cleaning floors, ceilings, walls, windows, etc., prior to final acceptance by the owner)

GROUP 2A: Batch Weighman; Crusher Feeder; Fence Laborer; Flagman; Pilot Car

GROUP 3: General Laborer; Air, Gas, or Electric Vibrating Screed; Asbestos Abatement Laborer; Ballast Regulator Machine; Brush Cutter; Brush Hog Feeder; Burner; Carpenter Tender; Cement Finisher Tender; Change House or Dry Shack; Chipping Gun (under 30 lbs.); Choker Setter; Chuck Tender; Clean-up Laborer; Concrete Form Stripper; Curing Laborer; Demolition (wrecking and moving including charred material); Ditch Digger; Dump Person; Fine Graders; Firewatch; Form Setter; Gabian Basket Builders; Grout Machine Tender; Grinders; Guardrail Erector; Hazardous Waste Worker (Level C: uses a chemical "splash suit" and air purifying respirator); Maintenance Person; Material Yard Person; Pot Tender; Rip Rap Person; Riggers; Scale Person; Sloper Sprayer; Signal Person; Stock Piler; Stake Hopper; Toolroom Man (at job site); Topper-Tailer; Track Laborer; Truck Spotter; Vinyl Seamer

GROUP 4: Cement Dumper-Paving; Chipping Gun (over 30 lbs.); Clary Power Spreader; Concrete Dumper/Chute Operator; Concrete Saw Operator; Drill Operator (hydraulic, diamond, aiartrac); Faller and Bucker Chain Saw; Grade Checker and Transit Person; Groutmen (pressure) including post tension beams; Hazardous Waste Worker (Level B: uses same respirator protection as Level A. A supplied air line is provided in conjunction with a chemical "splash suit"); High Scaler; Jackhammer; Laserbeam Operator; Manhole Builder-Mudman; Nozzleman (concrete pump, green cutter when using combination of high pressure air and water on concrete and rock, sandblast, gunite, shotcrete, water blaster, vacuum blaster); Pavement Breaker; Pipe Layer and Caulker; Pipe Pot Tender; Pipe Reliner (not insert type); Pipe Wrapper; Power Jacks; Railroad Spike Puller-Power; Raker-Asphalt; Rivet Buster; Rodder; Sloper (over 20 ft); Spreader (concrete); Tamper and Similar electric, air and glas operated tool; Timber Person-sewer (lagger shorer and cribber); Track Liner Power; Tugger Operator; Vibrator; Well Point Laborer

GROUP 5: Caisson Worker; Mortarman and Hodcarrier; Powderman; Re-Timberman; Hazardous Waste Worker (Level A: utilizes a fully encapsulated suit with a self-contained breathing apparatus or a supplied air line).

Group 6: Miner

LABO0252-010 06/01/2020

CLALLAM, GRAYS HARBOR, JEFFERSON, KITSAP, LEWIS, MASON, PACIFIC
(EXCLUDING SOUTHWEST), PIERCE, AND THURSTON COUNTIES

	Rates	Fringes
LABORER		
GROUP 1.....	\$ 27.78	12.44
GROUP 2.....	\$ 31.82	12.44
GROUP 3.....	\$ 39.81	12.44
GROUP 4.....	\$ 40.77	12.44
GROUP 5.....	\$ 41.43	12.44

BASE POINTS: BELLINGHAM, MT. VERNON, EVERETT, SEATTLE, KENT,
TACOMA, OLYMPIA, CENTRALIA, ABERDEEN, SHELTON, PT.
TOWNSEND, PT. ANGELES, AND BREMERTON

ZONE 1 - Projects within 25 radius miles of the respective
city hall
 ZONE 2 - More than 25 but less than 45 radius miles from the
respective city hall
 ZONE 3 - More than 45 radius miles from the respective city
hall

ZONE DIFFERENTIAL (ADD TO ZONE 1 RATES):
 ZONE 2 - \$1.00
 ZONE 3 - \$1.30

BASE POINTS: CHELAN, SUNNYSIDE, WENATCHEE, AND YAKIMA

ZONE 1 - Projects within 25 radius miles of the respective
city hall
 ZONE 2 - More than 25 radius miles from the respective city
hall

ZONE DIFFERENTIAL (ADD TO ZONE 1 RATES):
 ZONE 2 - \$2.25

LABORERS CLASSIFICATIONS

GROUP 1: Landscaping and Planting; Watchman; Window
Washer/Cleaner (detail clean-up, such as but not limited to
cleaning floors, ceilings, walls, windows, etc., prior to
final acceptance by the owner)

GROUP 2: Batch Weighman; Crusher Feeder; Fence Laborer;
Flagman; Pilot Car

GROUP 3: General Laborer; Air, Gas, or Electric Vibrating Screed; Asbestos Abatement Laborer; Ballast Regulator Machine; Brush Cutter; Brush Hog Feeder; Burner; Carpenter Tender; Cement Finisher Tender; Change House or Dry Shack; Chipping Gun (under 30 lbs.); Choker Setter; Chuck Tender; Clean-up Laborer; Concrete Form Stripper; Curing Laborer; Demolition (wrecking and moving including charred material); Ditch Digger; Dump Person; Fine Graders; Firewatch; Form Setter; Gabian Basket Builders; Grout Machine Tender; Grinders; Guardrail Erector; Hazardous Waste Worker (Level C: uses a chemical "splash suit" and air purifying respirator); Maintenance Person; Material Yard Person; Pot Tender; Rip Rap Person; Riggers; Scale Person; Sloper Sprayer; Signal Person; Stock Piler; Stake Hopper; Toolroom Man (at job site); Topper-Tailer; Track Laborer; Truck Spotter; Vinyl Seamer

GROUP 4: Cement Dumper-Paving; Chipping Gun (over 30 lbs.); Clary Power Spreader; Concrete Dumper/Chute Operator; Concrete Saw Operator; Drill Operator (hydraulic, diamond, aiartrac); Faller and Bucker Chain Saw; Groutmen (pressure) including post tension beams; Hazardous Waste Worker (Level B: uses same respirator protection as Level A. A supplied air line is provided in conjunction with a chemical "splash suit"); Jackhammer; Laserbeam Operator; Manhole Builder-Mudman; Nozzleman (concrete pump, green cutter when using combination of high pressure air and water on concrete and rock, sandblast, gunite, shotcrete, water blaster, vacuum blaster); Pavement Breaker; Pipe Layer and Caulker; Pipe Pot Tender; Pipe Reliner (not insert type); Pipe Wrapper; Power Jacks; Railroad Spike Puller-Power; Raker-Asphalt; Rivet Buster; Rodder; Sloper (over 20 ft); Spreader (concrete); Tamper and Similar electric, air and glas operated tool; Timber Person-sewer (lagger shorer and cribber); Track Liner Power; Tugger Operator; Vibrator; Well Point Laborer

GROUP 5: Caisson Worker; Miner; Mortarman and Hodcarrier; Grade Checker and Transit Person; High Scaler; Powderman; Re-Timberman; Hazardous Waste Worker (Level A: utilizes a fully encapsulated suit with a self-contained breathing apparatus or a supplied airline).

LABO0292-008 06/01/2020

ISLAND, SAN JUAN, SKAGIT, SNOHOMISH, AND WHATCOM COUNTIES

	Rates	Fringes
LABORER		
GROUP 1.....	\$ 27.78	12.44
GROUP 2.....	\$ 31.82	12.44
GROUP 3.....	\$ 39.81	12.44
GROUP 4.....	\$ 40.77	12.44
GROUP 5.....	\$ 41.43	12.44

BASE POINTS: BELLINGHAM, MT. VERNON, EVERETT, SEATTLE, KENT,
TACOMA, OLYMPIA, CENTRALIA, ABERDEEN, SHELTON, PT.
TOWNSEND, PT. ANGELES, AND BREMERTON

ZONE 1 - Projects within 25 radius miles of the respective
city hall

ZONE 2 - More than 25 but less than 45 radius miles from the
respective city hall

ZONE 3 - More than 45 radius miles from the respective city
hall

ZONE DIFFERENTIAL (ADD TO ZONE 1 RATES):

ZONE 2 - \$1.00

ZONE 3 - \$1.30

BASE POINTS: CHELAN, SUNNYSIDE, WENATCHEE, AND YAKIMA

ZONE 1 - Projects within 25 radius miles of the respective
city hall

ZONE 2 - More than 25 radius miles from the respective city
hall

ZONE DIFFERENTIAL (ADD TO ZONE 1 RATES):

ZONE 2 - \$2.25

LABORERS CLASSIFICATIONS

GROUP 1: Landscaping and Planting; Watchman; Window
Washer/Cleaner (detail clean-up, such as but not limited to
cleaning floors, ceilings, walls, windows, etc., prior to
final acceptance by the owner)

GROUP 2: Batch Weighman; Crusher Feeder; Fence Laborer;
Flagman; Pilot Car

GROUP 3: General Laborer; Air, Gas, or Electric Vibrating Screed; Asbestos Abatement Laborer; Ballast Regulator Machine; Brush Cutter; Brush Hog Feeder; Burner; Carpenter Tender; Cement Finisher Tender; Change House or Dry Shack; Chipping Gun (under 30 lbs.); Choker Setter; Chuck Tender; Clean-up Laborer; Concrete Form Stripper; Curing Laborer; Demolition (wrecking and moving including charred material); Ditch Digger; Dump Person; Fine Graders; Firewatch; Form Setter; Gabian Basket Builders; Grout Machine Tender; Grinders; Guardrail Erector; Hazardous Waste Worker (Level C: uses a chemical "splash suit" and air purifying respirator); Maintenance Person; Material Yard Person; Pot Tender; Rip Rap Person; Riggers; Scale Person; Sloper Sprayer; Signal Person; Stock Piler; Stake Hopper; Toolroom Man (at job site); Topper-Tailer; Track Laborer; Truck Spotter; Vinyl Seamer

GROUP 4: Cement Dumper-Paving; Chipping Gun (over 30 lbs.); Clary Power Spreader; Concrete Dumper/Chute Operator; Concrete Saw Operator; Drill Operator (hydraulic, diamond, aiartrac); Faller and Bucker Chain Saw; Grade Checker and Transit Person; Groutmen (pressure) including post tension beams; Hazardous Waste Worker (Level B: uses same respirator protection as Level A. A supplied air line is provided in conjunction with a chemical "splash suit"); High Scaler; Jackhammer; Laserbeam Operator; Manhole Builder-Mudman; Nozzleman (concrete pump, green cutter when using combination of high pressure air and water on concrete and rock, sandblast, gunite, shotcrete, water blaster, vacuum blaster); Pavement Breaker; Pipe Layer and Caulker; Pipe Pot Tender; Pipe Reliner (not insert type); Pipe Wrapper; Power Jacks; Railroad Spike Puller-Power; Raker-Asphalt; Rivet Buster; Rodder; Sloper (over 20 ft); Spreader (concrete); Tamper and Similar electric, air and glas operated tool; Timber Person-sewer (lagger shorer and cribber); Track Liner Power; Tugger Operator; Vibrator; Well Point Laborer

GROUP 5: Caisson Worker; Miner; Mortarman and Hodcarrier; Powderman; Re-Timberman; Hazardous Waste Worker (Level A: utilizes a fully encapsulated suit with a self-contained breathing apparatus or a supplied air line).

LABO0335-001 06/01/2020

CLARK, COWLITZ, KLICKITAT, PACIFIC (SOUTH OF A STRAIGHT LINE MADE BY EXTENDING THE NORTH BOUNDARY LINE OF WAHKIAKUM COUNTY WEST TO THE PACIFIC OCEAN), SKAMANIA AND WAHKIAKUM COUNTIES

	Rates	Fringes
Laborers:		
ZONE 1:		
GROUP 1.....	\$ 34.93	12.44
GROUP 2.....	\$ 35.65	12.44
GROUP 3.....	\$ 36.20	12.44
GROUP 4.....	\$ 36.66	12.44
GROUP 5.....	\$ 31.93	12.44
GROUP 6.....	\$ 29.01	12.44
GROUP 7.....	\$ 25.14	12.44

Zone Differential (Add to Zone 1 rates):

Zone 2 \$ 0.65

Zone 3 - 1.15

Zone 4 - 1.70

Zone 5 - 2.75

BASE POINTS: LONGVIEW AND VANCOUVER

ZONE 1: Projects within 30 miles of the respective city all.

ZONE 2: More than 30 miles but less than 40 miles from the respective city hall.

ZONE 3: More than 40 miles but less than 50 miles from the respective city hall.

ZONE 4: More than 50 miles but less than 80 miles from the respective city hall.

ZONE 5: More than 80 miles from the respective city hall.

LABORERS CLASSIFICATIONS

GROUP 1: Asphalt Plant Laborers; Asphalt Spreaders; Batch Weighman; Broomers; Brush Burners and Cutters; Car and Truck Loaders; Carpenter Tender; Change-House Man or Dry Shack Man; Choker Setter; Clean-up Laborers; Curing, Concrete; Demolition, Wrecking and Moving Laborers; Dumpers, road oiling crew; Dumpmen (for grading crew); Elevator Feeders; Median Rail Reference Post, Guide Post, Right of Way Marker; Fine Graders; Fire Watch; Form Strippers (not swinging stages); General Laborers; Hazardous Waste Worker; Leverman or Aggregate Spreader (Flaherty and similar types); Loading Spotters; Material Yard Man (including electrical); Pittsburgh Chipper Operator or Similar Types; Railroad Track Laborers; Ribbon Setters (including steel forms); Rip Rap Man (hand placed); Road Pump Tender; Sewer Labor; Signalman; Skipman; Slopers; Spraymen; Stake Chaser; Stockpiler; Tie Back Shoring; Timber Faller and Bucker (hand labor); Toolroom Man (at job site); Tunnel Bullgang (above ground); Weight-Man- Crusher (aggregate when used)

GROUP 2: Applicator (including pot power tender for same), applying protective material by hand or nozzle on utility lines or storage tanks on project; Brush Cutters (power saw); Burners; Choker Splicer; Clary Power Spreader and similar types; Clean- up Nozzleman-Green Cutter (concrete, rock, etc.); Concrete Power Buggyman; Concrete Laborer; Crusher Feeder; Demolition and Wrecking Charred Materials; Gunite Nozzleman Tender; Gunite or Sand Blasting Pot Tender; Handlers or Mixers of all Materials of an irritating nature (including cement and lime); Tool Operators (includes but not limited to: Dry Pack Machine; Jackhammer; Chipping Guns; Paving Breakers); Pipe Doping and Wrapping; Post Hole Digger, air, gas or electric; Vibrating Scream; Tampers; Sand Blasting (Wet); Stake-Setter; Tunnel-Muckers, Brakemen, Concrete Crew, Bullgang (underground)

GROUP 3: Asbestos Removal; Bit Grinder; Drill Doctor; Drill Operators, air tracks, cat drills, wagon drills, rubber-mounted drills, and other similar types including at crusher plants; Gunite Nozzleman; High Scalers, Strippers and Drillers (covers work in swinging stages, chairs or belts, under extreme conditions unusual to normal drilling, blasting, barring-down, or sloping and stripping); Manhole Builder; Powdermen; Concrete Saw Operator; Pwdermen; Power Saw Operators (Bucking and Falling); Pumpcrete Nozzlemen; Sand Blasting (Dry); Sewer Timberman; Track Liners, Anchor Machines, Ballast Regulators, Multiple Tampers, Power Jacks, Tugger Operator; Tunnel-Chuck Tenders, Nippers and Timbermen; Vibrator; Water Blaster

GROUP 4: Asphalt Raker; Concrete Saw Operator (walls); Concrete Nozzelman; Grade Checker; Pipelayer; Laser Beam (pipelaying)-applicable when employee assigned to move, set up, align; Laser Beam; Tunnel Miners; Motorman-Dinky Locomotive-Tunnel; Powderman-Tunnel; Shield Operator-Tunnel

GROUP 5: Traffic Flaggers

GROUP 6: Fence Builders

GROUP 7: Landscaping or Planting Laborers

LABO0335-019 06/01/2020

	Rates	Fringes
Hod Carrier.....	\$ 34.93	12.44

LABO0348-003 06/01/2020

CHELAN, DOUGLAS (W OF 12TH MERIDIAN), KITTITAS, AND YAKIMA COUNTIES

	Rates	Fringes
LABORER		
GROUP 1.....	\$ 23.68	12.44
GROUP 2.....	\$ 27.17	12.44
GROUP 3.....	\$ 29.74	12.44
GROUP 4.....	\$ 30.46	12.44
GROUP 5.....	\$ 30.99	12.44

BASE POINTS: BELLINGHAM, MT. VERNON, EVERETT, SEATTLE, KENT, TACOMA, OLYMPIA, CENTRALIA, ABERDEEN, SHELTON, PT. TOWNSEND, PT. ANGELES, AND BREMERTON

- ZONE 1 - Projects within 25 radius miles of the respective city hall
- ZONE 2 - More than 25 but less than 45 radius miles from the respective city hall
- ZONE 3 - More than 45 radius miles from the respective city hall

ZONE DIFFERENTIAL (ADD TO ZONE 1 RATES):
 ZONE 2 - \$1.00
 ZONE 3 - \$1.30

BASE POINTS: CHELAN, SUNNYSIDE, WENATCHEE, AND YAKIMA

- ZONE 1 - Projects within 25 radius miles of the respective city hall
- ZONE 2 - More than 25 radius miles from the respective city hall

ZONE DIFFERENTIAL (ADD TO ZONE 1 RATES):
 ZONE 2 - \$2.25

LABORERS CLASSIFICATIONS

- GROUP 1: Landscaping and Planting; Watchman; Window Washer/Cleaner (detail clean-up, such as but not limited to cleaning floors, ceilings, walls, windows, etc., prior to final acceptance by the owner)
- GROUP 2: Batch Weighman; Crusher Feeder; Fence Laborer; Flagman; Pilot Car

GROUP 3: General Laborer; Air, Gas, or Electric Vibrating Screed; Asbestos Abatement Laborer; Ballast Regulator Machine; Brush Cutter; Brush Hog Feeder; Burner; Carpenter Tender; Cement Finisher Tender; Change House or Dry Shack; Chipping Gun (under 30 lbs.); Choker Setter; Chuck Tender; Clean-up Laborer; Concrete Form Stripper; Curing Laborer; Demolition (wrecking and moving including charred material); Ditch Digger; Dump Person; Fine Graders; Firewatch; Form Setter; Gabian Basket Builders; Grout Machine Tender; Grinders; Guardrail Erector; Hazardous Waste Worker (Level C: uses a chemical "splash suit" and air purifying respirator); Maintenance Person; Material Yard Person; Pot Tender; Rip Rap Person; Riggers; Scale Person; Sloper Sprayer; Signal Person; Stock Piler; Stake Hopper; Toolroom Man (at job site); Topper-Tailer; Track Laborer; Truck Spotter; Vinyl Seamer

GROUP 4: Cement Dumper-Paving; Chipping Gun (over 30 lbs.); Clary Power Spreader; Concrete Dumper/Chute Operator; Concrete Saw Operator; Drill Operator (hydraulic, diamond, aiartrac); Faller and Bucker Chain Saw; Grade Checker and Transit Person; Groutmen (pressure) including post tension beams; Hazardous Waste Worker (Level B: uses same respirator protection as Level A. A supplied air line is provided in conjunction with a chemical "splash suit"); High Scaler; Jackhammer; Laserbeam Operator; Manhole Builder-Mudman; Nozzleman (concrete pump, green cutter when using combination of high pressure air and water on concrete and rock, sandblast, gunite, shotcrete, water blaster, vacuum blaster); Pavement Breaker; Pipe Layer and Caulker; Pipe Pot Tender; Pipe Reliner (not insert type); Pipe Wrapper; Power Jacks; Railroad Spike Puller-Power; Raker-Asphalt; Rivet Buster; Rodder; Sloper (over 20 ft); Spreader (concrete); Tamper and Similar electric, air and glas operated tool; Timber Person-sewer (lagger shorer and cribber); Track Liner Power; Tugger Operator; Vibrator; Well Point Laborer

GROUP 5: Caisson Worker; Miner; Mortarman and Hodcarrier; Powderman; Re-Timberman; Hazardous Waste Worker (Level A: utilizes a fully encapsulated suit with a self-contained breathing apparatus or a supplied air line).

PAIN0005-002 07/01/2020

STATEWIDE EXCEPT CLARK, COWLITZ, KLICKITAT, PACIFIC (SOUTH),
SKAMANIA, AND WAHKIAKUM COUNTIES

	Rates	Fringes
Painters:		
STRIPERS.....	\$ 31.90	17.23

PAIN0005-004 03/01/2009

CLALLAM, GRAYS HARBOR, ISLAND, JEFFERSON, KING, KITSAP, LEWIS,
MASON, PIERCE, SAN JUAN, SKAGIT, SNOHOMISH, THURSTON AND
WHATCOM COUNTIES

	Rates	Fringes
PAINTER.....	\$ 20.82	7.44

* PAIN0005-006 07/01/2018

ADAMS, ASOTIN; BENTON AND FRANKLIN (EXCEPT HANFORD SITE);
CHELAN, COLUMBIA, DOUGLAS, FERRY, GARFIELD, GRANT, KITTITAS,
LINCOLN, OKANOGAN, PEND OREILLE, SPOKANE, STEVENS, WALLA WALLA,
WHITMAN AND YAKIMA COUNTIES

	Rates	Fringes
PAINTER		
Application of Cold Tar		
Products, Epoxies, Polyure		
thanes, Acids, Radiation		
Resistant Material, Water		
and Sandblasting.....	\$ 30.19	11.71
Over 30'/Swing Stage Work..	\$ 22.20	7.98
Brush, Roller, Striping,		
Steam-cleaning and Spray....	\$ 22.94	11.61
Lead Abatement, Asbestos		
Abatement.....	\$ 21.50	7.98

*\$.70 shall be paid over and above the basic wage rates
listed for work on swing stages and high work of over 30
feet.

PAIN0055-003 07/01/2019

CLARK, COWLITZ, KLICKITAT, PACIFIC, SKAMANIA, AND WAHKIAKUM
COUNTIES

	Rates	Fringes
PAINTER		
Brush & Roller.....	\$ 25.14	12.90
Spray and Sandblasting.....	\$ 25.14	12.90

All high work over 60 ft. = base rate + \$0.75

PAIN0055-006 03/01/2020

CLARK, COWLITZ, KLICKITAT, SKAMANIA and WAHKIAKUM COUNTIES

	Rates	Fringes
Painters:		
HIGHWAY & PARKING LOT		
STRIPER.....	\$ 35.87	13.40

PLAS0072-004 06/01/2020

ADAMS, ASOTIN, BENTON, CHELAN, COLUMBIA, DOUGLAS, FERRY,
FRANKLIN, GARFIELD, GRANT, KITTITAS, LINCOLN, OKANOGAN, PEND
OREILLE, SPOKANE, STEVENS, WALLA WALLA, WHITMAN, AND YAKIMA
COUNTIES

	Rates	Fringes
CEMENT MASON/CONCRETE FINISHER		
ZONE 1.....	\$ 31.30	15.53

Zone Differential (Add to Zone 1 rate): Zone 2 - \$2.00

BASE POINTS: Spokane, Pasco, Lewiston; Wenatchee
Zone 1: 0 - 45 radius miles from the main post office
Zone 2: Over 45 radius miles from the main post office

PLAS0528-001 06/01/2020

CLALLAM, COWLITZ, GRAYS HARBOR, ISLAND, JEFFERSON, KING, KITSAP, LEWIS, MASON, PACIFIC, PIERCE, SAN JUAN, SKAGIT, SNOHOMISH, THURSTON, WAHKIAKUM AND WHATCOM COUNTIES

	Rates	Fringes
CEMENT MASON		
CEMENT MASON.....	\$ 45.80	18.54
COMPOSITION, TROWEL MACHINE, GRINDER, POWER TOOLS, GUNNITE NOZZLE.....	\$ 46.30	18.54
TROWELING MACHINE OPERATOR ON COMPOSITION.....	\$ 46.30	18.54

PLAS0555-002 07/01/2019

CLARK, KLICKITAT AND SKAMANIA COUNTIES

ZONE 1:

	Rates	Fringes
CEMENT MASON		
CEMENT MASONS DOING BOTH COMPOSITION/POWER MACHINERY AND SUSPENDED/HANGING SCAFFOLD..	\$ 37.32	18.77
CEMENT MASONS ON SUSPENDED, SWINGING AND/OR HANGING SCAFFOLD.....	\$ 36.58	18.77
CEMENT MASONS.....	\$ 35.85	18.77
COMPOSITION WORKERS AND POWER MACHINERY OPERATORS...	\$ 36.58	18.77

Zone Differential (Add To Zone 1 Rates):

- Zone 2 - \$0.65
- Zone 3 - 1.15
- Zone 4 - 1.70
- Zone 5 - 3.00

BASE POINTS: BEND, CORVALLIS, EUGENE, MEDFORD, PORTLAND, SALEM, THE DALLES, VANCOUVER

- ZONE 1: Projects within 30 miles of the respective city hall
- ZONE 2: More than 30 miles but less than 40 miles from the respective city hall.
- ZONE 3: More than 40 miles but less than 50 miles from the respective city hall.
- ZONE 4: More than 50 miles but less than 80 miles from the respective city hall.
- ZONE 5: More than 80 miles from the respective city hall

TEAM0037-002 06/01/2019

CLARK, COWLITZ, KLICKITAT, PACIFIC (South of a straight line made by extending the north boundary line of Wahkiakum County west to the Pacific Ocean), SKAMANIA, AND WAHKIAKUM COUNTIES

	Rates	Fringes
Truck drivers:		
ZONE 1		
GROUP 1.....	\$ 29.08	15.27
GROUP 2.....	\$ 29.20	15.27
GROUP 3.....	\$ 29.34	15.27
GROUP 4.....	\$ 29.62	15.27
GROUP 5.....	\$ 29.85	15.27
GROUP 6.....	\$ 30.03	15.27
GROUP 7.....	\$ 30.24	15.27

Zone Differential (Add to Zone 1 Rates):

Zone 2 - \$0.65
 Zone 3 - 1.15
 Zone 4 - 1.70
 Zone 5 - 2.75

BASE POINTS: ASTORIA, THE DALLES, LONGVIEW AND VANCOUVER

ZONE 1: Projects within 30 miles of the respective city hall.

ZONE 2: More than 30 miles but less than 40 miles from the respective city hall.

ZONE 3: More than 40 miles but less than 50 miles from the respective city hall.

ZONE 4: More than 50 miles but less than 80 miles from the respective city hall.

ZONE 5: More than 80 miles from the respective city hall.

TRUCK DRIVERS CLASSIFICATIONS

GROUP 1: A Frame or Hydra lift truck w/load bearing surface; Articulated Dump Truck; Battery Rebuilders; Bus or Manhaul Driver; Concrete Buggies (power operated); Concrete Pump Truck; Dump Trucks, side, end and bottom dumps, including Semi Trucks and Trains or combinations there of: up to and including 10 cu. yds.; Lift Jitneys, Fork Lifts (all sizes in loading, unloading and transporting material on job site); Loader and/or Leverman on Concrete Dry Batch Plant (manually operated); Pilot Car; Pickup Truck; Solo Flat Bed and misc. Body Trucks, 0-10 tons; Truck Tender; Truck Mechanic Tender; Water Wagons (rated capacity) up to 3,000 gallons; Transit Mix and Wet or Dry Mix - 5 cu. yds. and under; Lubrication Man, Fuel Truck Driver, Tireman, Wash Rack, Steam Cleaner or combinations; Team Driver; Slurry Truck Driver or Leverman; Tireman

GROUP 2: Boom Truck/Hydra-lift or Retracting Crane; Challenger; Dumpsters or similar equipment all sizes; Dump Trucks/Articulated Dumps 6 cu to 10 cu.; Flaherty Spreader Driver or Leverman; Lowbed Equipment, Flat Bed Semi-trailer or doubles transporting equipment or wet or dry materials; Lumber Carrier, Driver-Straddle Carrier (used in loading, unloading and transporting of materials on job site); Oil Distributor Driver or Leverman; Transit mix and wet or dry mix trucks: over 5 cu. yds. and including 7 cu. yds.; Vacuum Trucks; Water truck/Wagons (rated capacity) over 3,000 to 5,000 gallons

GROUP 3: Ammonia Nitrate Distributor Driver; Dump trucks, side, end and bottom dumps, including Semi Trucks and Trains or combinations thereof: over 10 cu. yds. and including 30 cu. yds. includes Articulated Dump Trucks; Self-Propelled Street Sweeper; Transit mix and wet or dry mix truck: over 7 cu yds. and including 11 cu yds.; Truck Mechanic-Welder-Body Repairman; Utility and Clean-up Truck; Water Wagons (rated capacity) over 5,000 to 10,000 gallons

GROUP 4: Asphalt Burner; Dump Trucks, side, end and bottom dumps, including Semi-Trucks and Trains or combinations thereof: over 30 cu. yds. and including 50 cu. yds. includes Articulated Dump Trucks; Fire Guard; Transit Mix and Wet or Dry Mix Trucks, over 11 cu. yds. and including 15 cu. yds.; Water Wagon (rated capacity) over 10,000 gallons to 15,000 gallons

GROUP 5: Composite Crewman; Dump Trucks, side, end and bottom dumps, including Semi Trucks and Trains or combinations thereof: over 50 cu. yds. and including 60 cu. yds. includes Articulated Dump Trucks

GROUP 6: Bulk Cement Spreader w/o Auger; Dry Pre-Batch concrete Mix Trucks; Dump trucks, side, end and bottom dumps, including Semi Trucks and Trains of combinations thereof: over 60 cu. yds. and including 80 cu. yds., and includes Articulated Dump Trucks; Skid Truck

GROUP 7: Dump Trucks, side, end and bottom dumps, including Semi Trucks and Trains or combinations thereof: over 80 cu. yds. and including 100 cu. yds., includes Articulated Dump Trucks; Industrial Lift Truck (mechanical tailgate)

* TEAM0174-001 06/01/2019

CLALLAM, GRAYS HARBOR, ISLAND, JEFFERSON, KING, KITSAP, LEWIS, MASON, PACIFIC (North of a straight line made by extending the north boundary line of Wahkiakum County west to the Pacific Ocean), PIERCE, SAN JUAN, SKAGIT, SNOHOMISH, THURSTON AND WHATCOM COUNTIES

	Rates	Fringes
Truck drivers:		
ZONE A:		
GROUP 1:.....	\$ 40.38	20.46
GROUP 2:.....	\$ 39.54	20.46
GROUP 3:.....	\$ 36.73	20.46
GROUP 4:.....	\$ 31.76	20.46
GROUP 5:.....	\$ 39.93	20.46

ZONE B (25-45 miles from center of listed cities*): Add \$.70 per hour to Zone A rates.

ZONE C (over 45 miles from centr of listed cities*): Add \$1.00 per hour to Zone A rates.

*Zone pay will be calculated from the city center of the following listed cities:

BELLINGHAM	CENTRALIA	RAYMOND	OLYMPIA
EVERETT	SHELTON	ANACORTES	BELLEVUE
SEATTLE	PORT ANGELES	MT. VERNON	KENT
TACOMA	PORT TOWNSEND	ABERDEEN	BREMERTON

TRUCK DRIVERS CLASSIFICATIONS

GROUP 1 - "A-frame or Hydralift" trucks and Boom trucks or similar equipment when "A" frame or "Hydralift" and Boom truck or similar equipment is used; Buggymobile; Bulk Cement Tanker; Dumpsters and similar equipment, Tournorockers, Tournowagon, Tournotrailer, Cat DW series, Terra Cobra, Le Tourneau, Westinghouse, Athye Wagon, Euclid Two and Four-Wheeled power tractor with trailer and similar top-loaded equipment transporting material: Dump Trucks, side, end and bottom dump, including semi-trucks and trains or combinations thereof with 16 yards to 30 yards capacity: Over 30 yards \$.15 per hour additional for each 10 yard increment; Explosive Truck (field mix) and similar equipment; Hyster Operators (handling bulk loose aggregates); Lowbed and Heavy Duty Trailer; Road Oil Distributor Driver; Spreader, Flaherty Transit mix used exclusively in heavy construction; Water Wagon and Tank Truck-3,000 gallons and over capacity

GROUP 2 - Bulllifts, or similar equipment used in loading or unloading trucks, transporting materials on job site; Dumpsters, and similar equipment, Tournorockers, Tournowagon, Turnotrailer, Cat. D.W. Series, Terra Cobra, Le Tourneau, Westinghouse, Athye wagon, Euclid two and four-wheeled power tractor with trailer and similar top-loaded equipment transporting material: Dump trucks, side, end and bottom dump, including semi-trucks and trains or combinations thereof with less than 16 yards capacity; Flatbed (Dual Rear Axle); Grease Truck, Fuel Truck, Greaser, Battery Service Man and/or Tire Service Man; Leverman and loader at bunkers and batch plants; Oil tank transport; Scissor truck; Slurry Truck; Sno-Go and similar equipment; Swampers; Straddler Carrier (Ross, Hyster) and similar equipment; Team Driver; Tractor (small, rubber-tired) (when used within Teamster jurisdiction); Vacuum truck; Water Wagon and Tank trucks-less than 3,000 gallons capacity; Winch Truck; Wrecker, Tow truck and similar equipment

GROUP 3 - Flatbed (single rear axle); Pickup Sweeper; Pickup Truck. (Adjust Group 3 upward by \$2.00 per hour for onsite work only)

GROUP 4 - Escort or Pilot Car

GROUP 5 - Mechanic

HAZMAT PROJECTS

Anyone working on a HAZMAT job, where HAZMAT certification is required, shall be compensated as a premium, in addition to the classification working in as follows:

LEVEL C: +\$.25 per hour - This level uses an air purifying respirator or additional protective clothing.

LEVEL B: +\$.50 per hour - Uses same respirator protection as Level A. Supplied air line is provided in conjunction with a chemical "splash suit."

LEVEL A: +\$.75 per hour - This level utilizes a fully-encapsulated suit with a self-contained breathing apparatus or a supplied air line.

TEAM0690-004 01/01/2019

ADAMS, ASOTIN, BENTON, CHELAN, COLUMBIA, DOUGLAS, FERRY,
FRANKLIN, GARFIELD, GRANT KITTITAS, LINCOLN, OKANOGAN, PEND
OREILLE, SPOKANE, STEVENS, WALLA WALLA, WHITMAN AND YAKIMA
COUNTIES

	Rates	Fringes
Truck drivers: (AREA 1: SPOKANE ZONE CENTER: Adams, Chelan, Douglas, Ferry, Grant, Kittitas, Lincoln, Okanogan, Pen Oreille, Spokane, Stevens, and Whitman Counties		
AREA 1: LEWISTON ZONE CENTER: Asotin, Columbia, and Garfield Counties		
AREA 2: PASCO ZONE CENTER: Benton, Franklin, Walla Walla and Yakima Counties)		
AREA 1:		
GROUP 1.....	\$ 23.91	17.40
GROUP 2.....	\$ 26.18	17.40
GROUP 3.....	\$ 26.68	17.40
GROUP 4.....	\$ 27.01	17.40
GROUP 5.....	\$ 27.12	17.40
GROUP 6.....	\$ 27.29	17.40
GROUP 7.....	\$ 27.82	17.40
GROUP 8.....	\$ 28.18	17.40
AREA 2:		
GROUP 1.....	\$ 26.05	17.40
GROUP 2.....	\$ 28.69	17.40
GROUP 3.....	\$ 28.80	17.40
GROUP 4.....	\$ 29.13	17.40
GROUP 5.....	\$ 29.24	17.40
GROUP 6.....	\$ 29.24	17.40
GROUP 7.....	\$ 29.78	17.40
GROUP 8.....	\$ 30.10	17.40

Zone Differential (Add to Zone 1 rate: Zone 1 + \$2.00)

BASE POINTS: Spokane, Pasco, Lewiston

Zone 1: 0-45 radius miles from the main post office.

Zone 2: Outside 45 radius miles from the main post office

TRUCK DRIVERS CLASSIFICATIONS

GROUP 1: Escort Driver or Pilot Car; Employee Haul; Power Boat Hauling Employees or Material

GROUP 2: Fish Truck; Flat Bed Truck; Fork Lift (3000 lbs. and under); Leverperson (loading trucks at bunkers); Trailer Mounted Hydro Seeder and Mulcher; Seeder & Mulcher; Stationary Fuel Operator; Tractor (small, rubber-tired, pulling trailer or similar equipment)

GROUP 3: Auto Crane (2000 lbs. capacity); Buggy Mobile & Similar; Bulk Cement Tanks & Spreader; Dumptor (6 yds. & under); Flat Bed Truck with Hydraulic System; Fork Lift (3001-16,000 lbs.); Fuel Truck Driver, Steamcleaner & Washer; Power Operated Sweeper; Rubber-tired Tunnel Jumbo; Scissors Truck; Slurry Truck Driver; Straddle Carrier (Ross, Hyster, & similar); Tireperson; Transit Mixers & Truck Hauling Concrete (3 yd. to & including 6 yds.); Trucks, side, end, bottom & articulated end dump (3 yards to and including 6 yds.); Warehouseperson (to include shipping & receiving); Wrecker & Tow Truck

GROUP 4: A-Frame; Burner, Cutter, & Welder; Service Greaser; Trucks, side, end, bottom & articulated end dump (over 6 yards to and including 12 yds.); Truck Mounted Hydro Seeder; Warehouseperson; Water Tank truck (0-8,000 gallons)

GROUP 5: Dumptor (over 6 yds.); Lowboy (50 tons & under); Self-loading Roll Off; Semi-Truck & Trailer; Tractor with Steer Trailer; Transit Mixers and Trucks Hauling Concrete (over 6 yds. to and including 10 yds.); Trucks, side, end, bottom and end dump (over 12 yds. to & including 20 yds.); Truck-Mounted Crane (with load bearing surface either mounted or pulled, up to 14 ton); Vacuum Truck (super sucker, guzzler, etc.)

GROUP 6: Flaherty Spreader Box Driver; Flowboys; Fork Lift (over 16,000 lbs.); Dumps (Semi-end); Mechanic (Field); Semi-end Dumps; Transfer Truck & Trailer; Transit Mixers & Trucks Hauling Concrete (over 10 yds. to & including 20 yds.); Trucks, side, end, bottom and articulated end dump (over 20 yds. to & including 40 yds.); Truck and Pup; Tournarocker, DWs & similar with 2 or more 4 wheel-power tractor with trailer, gallonage or yardage scale, whichever is greater Water Tank Truck (8,001- 14,000 gallons); Lowboy(over 50 tons)

GROUP 7: Oil Distributor Driver; Stringer Truck (cable operated trailer); Transit Mixers & Trucks Hauling Concrete (over 20 yds.); Truck, side, end, bottom end dump (over 40 yds. to & including 100 yds.); Truck Mounted Crane (with load bearing surface either mounted or pulled (16 through 25 tons);

GROUP 8: Prime Movers and Stinger Truck; Trucks, side, end,

bottom and articulated end dump (over 100 yds.); Helicopter Pilot Hauling Employees or Materials

Footnote A - Anyone working on a HAZMAT job, where HAZMAT certification is required, shall be compensated as a premium, in addition to the classification working in as follows:

LEVEL C-D: - \$.50 PER HOUR (This is the lowest level of protection. This level may use an air purifying respirator or additional protective clothing.

LEVEL A-B: - \$1.00 PER HOUR (Uses supplied air in conjunction with a chemical splash suit or fully encapsulated suit with a self-contained breathing apparatus.

Employees shall be paid Hazmat pay in increments of four(4) and eight(8) hours.

NOTE:

Trucks Pulling Equipment Trailers: shall receive \$.15/hour over applicable truck rate

WELDERS - Receive rate prescribed for craft performing operation to which welding is incidental.

=====

Note: Executive Order (EO) 13706, Establishing Paid Sick Leave for Federal Contractors applies to all contracts subject to the Davis-Bacon Act for which the contract is awarded (and any solicitation was issued) on or after January 1, 2017. If this contract is covered by the EO, the contractor must provide employees with 1 hour of paid sick leave for every 30 hours they work, up to 56 hours of paid sick leave each year. Employees must be permitted to use paid sick leave for their own illness, injury or other health-related needs, including preventive care; to assist a family member (or person who is like family to the employee) who is ill, injured, or has other health-related needs, including preventive care; or for reasons resulting from, or to assist a family member (or person who is like family to the employee) who is a victim of, domestic violence, sexual assault, or stalking. Additional information on contractor requirements and worker protections under the EO is available at www.dol.gov/whd/govcontracts.

Unlisted classifications needed for work not included within the scope of the classifications listed may be added after award only as provided in the labor standards contract clauses (29CFR 5.5 (a) (1) (ii)).

The body of each wage determination lists the classification and wage rates that have been found to be prevailing for the cited type(s) of construction in the area covered by the wage determination. The classifications are listed in alphabetical order of ""identifiers"" that indicate whether the particular rate is a union rate (current union negotiated rate for local), a survey rate (weighted average rate) or a union average rate (weighted union average rate).

Union Rate Identifiers

A four letter classification abbreviation identifier enclosed in dotted lines beginning with characters other than ""SU"" or ""UAVG"" denotes that the union classification and rate were prevailing for that classification in the survey. Example: PLUM0198-005 07/01/2014. PLUM is an abbreviation identifier of the union which prevailed in the survey for this classification, which in this example would be Plumbers. 0198 indicates the local union number or district council number where applicable, i.e., Plumbers Local 0198. The next number, 005 in the example, is an internal number used in processing the wage determination. 07/01/2014 is the effective date of the most current negotiated rate, which in this example is July 1, 2014.

Union prevailing wage rates are updated to reflect all rate changes in the collective bargaining agreement (CBA) governing this classification and rate.

Survey Rate Identifiers

Classifications listed under the ""SU"" identifier indicate that no one rate prevailed for this classification in the survey and the published rate is derived by computing a weighted average rate based on all the rates reported in the survey for that classification. As this weighted average rate includes all rates reported in the survey, it may include both union and non-union rates. Example: SULA2012-007 5/13/2014. SU indicates the rates are survey rates based on a weighted average calculation of rates and are not majority rates. LA indicates the State of Louisiana. 2012 is the year of survey on which these classifications and rates are based. The next number, 007 in the example, is an internal number used in producing the wage determination. 5/13/2014 indicates the survey completion date for the classifications and rates under that identifier.

Survey wage rates are not updated and remain in effect until a new survey is conducted.

Union Average Rate Identifiers

Classification(s) listed under the UAVG identifier indicate that no single majority rate prevailed for those classifications; however, 100% of the data reported for the classifications was union data. EXAMPLE: UAVG-OH-0010 08/29/2014. UAVG indicates that the rate is a weighted union average rate. OH indicates the state. The next number, 0010 in the example, is an internal number used in producing the wage determination. 08/29/2014 indicates the survey completion date for the classifications and rates under that identifier.

A UAVG rate will be updated once a year, usually in January of each year, to reflect a weighted average of the current negotiated/CBA rate of the union locals from which the rate is based.

WAGE DETERMINATION APPEALS PROCESS

1.) Has there been an initial decision in the matter? This can be:

- * an existing published wage determination
- * a survey underlying a wage determination
- * a Wage and Hour Division letter setting forth a position on a wage determination matter
- * a conformance (additional classification and rate) ruling

On survey related matters, initial contact, including requests for summaries of surveys, should be with the Wage and Hour Regional Office for the area in which the survey was conducted because those Regional Offices have responsibility for the Davis-Bacon survey program. If the response from this initial contact is not satisfactory, then the process described in 2.) and 3.) should be followed.

With regard to any other matter not yet ripe for the formal process described here, initial contact should be with the Branch of Construction Wage Determinations. Write to:

Branch of Construction Wage Determinations
Wage and Hour Division
U.S. Department of Labor
200 Constitution Avenue, N.W.
Washington, DC 20210

2.) If the answer to the question in 1.) is yes, then an interested party (those affected by the action) can request review and reconsideration from the Wage and Hour Administrator (See 29 CFR Part 1.8 and 29 CFR Part 7). Write to:

Wage and Hour Administrator
U.S. Department of Labor
200 Constitution Avenue, N.W.
Washington, DC 20210

The request should be accompanied by a full statement of the interested party's position and by any information (wage payment data, project description, area practice material, etc.) that the requestor considers relevant to the issue.

3.) If the decision of the Administrator is not favorable, an interested party may appeal directly to the Administrative Review Board (formerly the Wage Appeals Board). Write to:

Administrative Review Board
U.S. Department of Labor
200 Constitution Avenue, N.W.
Washington, DC 20210

4.) All decisions by the Administrative Review Board are final.

=====

END OF GENERAL DECISION"

APPENDIX B

FEDERAL CONTRACT PROVISIONS

REQUIRED CONTRACT PROVISIONS FEDERAL-AID CONSTRUCTION CONTRACTS – FHWA 1273

REQUIRED CONTRACT PROVISIONS FEDERAL-AID CONSTRUCTION CONTRACTS
FHWA-1273 -- Revised May 1, 2012

- I. General
- II. Nondiscrimination
- III. Nonsegregated Facilities
- IV. Davis-Bacon and Related Act Provisions
- V. Contract Work Hours and Safety Standards Act Provisions
- VI. Subletting or Assigning the Contract
- VII. Safety: Accident Prevention
- VIII. False Statements Concerning Highway Projects
- IX. Implementation of Clean Air Act and Federal Water Pollution Control Act
- X. Compliance with Governmentwide Suspension and Debarment Requirements
- XI. Certification Regarding Use of Contract Funds for Lobbying

ATTACHMENTS

A. Employment and Materials Preference for Appalachian Development Highway System or Appalachian Local Access Road Contracts (included in Appalachian contracts only)

I. GENERAL

1. Form FHWA-1273 must be physically incorporated in each construction contract funded under Title 23 (excluding emergency contracts solely intended for debris removal). The contractor (or subcontractor) must insert this form in each subcontract and further require its inclusion in all lower tier subcontracts (excluding purchase orders, rental agreements and other agreements for supplies or services).

The applicable requirements of Form FHWA-1273 are incorporated by reference for work done under any purchase order, rental agreement or agreement for other services. The prime contractor shall be responsible for compliance by any subcontractor, lower-tier subcontractor or service provider.

Form FHWA-1273 must be included in all Federal-aid design-build contracts, in all subcontracts and in lower tier subcontracts (excluding subcontracts for design services, purchase orders, rental agreements and other agreements for supplies or services). The design-builder shall be responsible for compliance by any subcontractor, lower-tier subcontractor or service provider.

Contracting agencies may reference Form FHWA-1273 in bid proposal or request for proposal documents, however, the Form FHWA-1273 must be physically incorporated (not referenced) in all contracts, subcontracts and lower-tier subcontracts (excluding purchase orders, rental agreements and other agreements for supplies or services related to a construction contract).

2. Subject to the applicability criteria noted in the following sections, these contract provisions shall apply to all work performed on the contract by the contractor's own organization and with

the assistance of workers under the contractor's immediate superintendence and to all work performed on the contract by piecework, station work, or by subcontract.

3. A breach of any of the stipulations contained in these Required Contract Provisions may be sufficient grounds for withholding of progress payments, withholding of final payment, termination of the contract, suspension / debarment or any other action determined to be appropriate by the contracting agency and FHWA.

4. Selection of Labor: During the performance of this contract, the contractor shall not use convict labor for any purpose within the limits of a construction project on a Federal-aid highway unless it is labor performed by convicts who are on parole, supervised release, or probation. The term Federal-aid highway does not include roadways functionally classified as local roads or rural minor collectors.

II. NONDISCRIMINATION

The provisions of this section related to 23 CFR Part 230 are applicable to all Federal-aid construction contracts and to all related construction subcontracts of \$10,000 or more. The provisions of 23 CFR Part 230 are not applicable to material supply, engineering, or architectural service contracts.

In addition, the contractor and all subcontractors must comply with the following policies: Executive Order 11246, 41 CFR 60, 29 CFR 1625-1627, Title 23 USC Section 140, the Rehabilitation Act of 1973, as amended (29 USC 794), Title VI of the Civil Rights Act of 1964, as amended, and related regulations including 49 CFR Parts 21, 26 and 27; and 23 CFR Parts 200, 230, and 633.

The contractor and all subcontractors must comply with: the requirements of the Equal Opportunity Clause in 41 CFR 60-1.4(b) and, for all construction contracts exceeding \$10,000, the Standard Federal Equal Employment Opportunity Construction Contract Specifications in 41 CFR 60-4.3.

Note: The U.S. Department of Labor has exclusive authority to determine compliance with Executive Order 11246 and the policies of the Secretary of Labor including 41 CFR 60, and 29 CFR 1625-1627. The contracting agency and the FHWA have the authority and the responsibility to ensure compliance with Title 23 USC Section 140, the Rehabilitation Act of 1973, as amended (29 USC 794), and Title VI of the Civil Rights Act of 1964, as amended, and related regulations including 49 CFR Parts 21, 26 and 27; and 23 CFR Parts 200, 230, and 633.

The following provision is adopted from 23 CFR 230, Appendix A, with appropriate revisions to conform to the U.S. Department of Labor (US DOL) and FHWA requirements.

1. Equal Employment Opportunity: Equal employment opportunity (EEO) requirements not to discriminate and to take affirmative action to assure equal opportunity as set forth under laws, executive orders, rules, regulations (28 CFR 35, 29 CFR 1630, 29 CFR 1625-1627, 41 CFR 60 and 49 CFR 27) and orders of the Secretary of Labor as modified by the provisions prescribed herein, and imposed pursuant to 23 U.S.C. 140 shall constitute the EEO and specific affirmative action standards for the contractor's project activities under this contract. The provisions of the Americans with Disabilities Act of 1990 (42 U.S.C. 12101 et seq.) set forth under 28 CFR 35 and 29 CFR 1630 are incorporated by reference in this contract. In the execution of this

contract, the contractor agrees to comply with the following minimum specific requirement activities of EEO:

a. The contractor will work with the contracting agency and the Federal Government to ensure that it has made every good faith effort to provide equal opportunity with respect to all of its terms and conditions of employment and in their review of activities under the contract.

b. The contractor will accept as its operating policy the following statement:

"It is the policy of this Company to assure that applicants are employed, and that employees are treated during employment, without regard to their race, religion, sex, color, national origin, age or disability. Such action shall include: employment, upgrading, demotion, or transfer; recruitment or recruitment advertising; layoff or termination; rates of pay or other forms of compensation; and selection for training, including apprenticeship, pre-apprenticeship, and/or on-the-job training."

2. EEO Officer: The contractor will designate and make known to the contracting officers an EEO Officer who will have the responsibility for and must be capable of effectively administering and promoting an active EEO program and who must be assigned adequate authority and responsibility to do so.

3. Dissemination of Policy: All members of the contractor's staff who are authorized to hire, supervise, promote, and discharge employees, or who recommend such action, or who are substantially involved in such action, will be made fully cognizant of, and will implement, the contractor's EEO policy and contractual responsibilities to provide EEO in each grade and classification of employment. To ensure that the above agreement will be met, the following actions will be taken as a minimum:

a. Periodic meetings of supervisory and personnel office employees will be conducted before the start of work and then not less often than once every six months, at which time the contractor's EEO policy and its implementation will be reviewed and explained. The meetings will be conducted by the EEO Officer.

b. All new supervisory or personnel office employees will be given a thorough indoctrination by the EEO Officer, covering all major aspects of the contractor's EEO obligations within thirty days following their reporting for duty with the contractor.

c. All personnel who are engaged in direct recruitment for the project will be instructed by the EEO Officer in the contractor's procedures for locating and hiring minorities and women.

d. Notices and posters setting forth the contractor's EEO policy will be placed in areas readily accessible to employees, applicants for employment and potential employees.

e. The contractor's EEO policy and the procedures to implement such policy will be brought to the attention of employees by means of meetings, employee handbooks, or other appropriate means.

4. Recruitment: When advertising for employees, the contractor will include in all advertisements for employees the notation: "An Equal Opportunity Employer." All such advertisements will be placed in publications having a large circulation among minorities and women in the area from which the project work force would normally be derived.

a. The contractor will, unless precluded by a valid bargaining agreement, conduct systematic and direct recruitment through public and private employee referral sources likely to yield qualified minorities and women. To meet this requirement, the contractor will identify sources of potential minority group employees, and establish with such identified sources procedures whereby minority and women applicants may be referred to the contractor for employment consideration.

b. In the event the contractor has a valid bargaining agreement providing for exclusive hiring hall referrals, the contractor is expected to observe the provisions of that agreement to the extent that the system meets the contractor's compliance with EEO contract provisions. Where implementation of such an agreement has the effect of discriminating against minorities or women, or obligates the contractor to do the same, such implementation violates Federal nondiscrimination provisions.

c. The contractor will encourage its present employees to refer minorities and women as applicants for employment. Information and procedures with regard to referring such applicants will be discussed with employees.

5. Personnel Actions: Wages, working conditions, and employee benefits shall be established and administered, and personnel actions of every type, including hiring, upgrading, promotion, transfer, demotion, layoff, and termination, shall be taken without regard to race, color, religion, sex, national origin, age or disability. The following procedures shall be followed:

a. The contractor will conduct periodic inspections of project sites to insure that working conditions and employee facilities do not indicate discriminatory treatment of project site personnel.

b. The contractor will periodically evaluate the spread of wages paid within each classification to determine any evidence of discriminatory wage practices.

c. The contractor will periodically review selected personnel actions in depth to determine whether there is evidence of discrimination. Where evidence is found, the contractor will promptly take corrective action. If the review indicates that the discrimination may extend beyond the actions reviewed, such corrective action shall include all affected persons.

d. The contractor will promptly investigate all complaints of alleged discrimination made to the contractor in connection with its obligations under this contract, will attempt to resolve such complaints, and will take appropriate corrective action within a reasonable time. If the investigation indicates that the discrimination may affect persons other than the complainant, such corrective action shall include such other persons. Upon completion of each investigation, the contractor will inform every complainant of all of their avenues of appeal.

6. Training and Promotion:

a. The contractor will assist in locating, qualifying, and increasing the skills of minorities and women who are applicants for employment or current employees. Such efforts should be aimed at developing full journey level status employees in the type of trade or job classification involved.

b. Consistent with the contractor's work force requirements and as permissible under Federal and State regulations, the contractor shall make full use of training programs, i.e., apprenticeship, and on-the-job training programs for the geographical area of contract performance. In the event a special provision for training is provided under this contract, this subparagraph will be superseded as indicated in the special provision. The contracting agency may reserve training positions for persons who receive welfare assistance in accordance with 23 U.S.C. 140(a).

c. The contractor will advise employees and applicants for employment of available training programs and entrance requirements for each.

d. The contractor will periodically review the training and promotion potential of employees who are minorities and women and will encourage eligible employees to apply for such training and promotion.

7. Unions: If the contractor relies in whole or in part upon unions as a source of employees, the contractor will use good faith efforts to obtain the cooperation of such unions to increase opportunities for minorities and women. Actions by the contractor, either directly or through a contractor's association acting as agent, will include the procedures set forth below:

a. The contractor will use good faith efforts to develop, in cooperation with the unions, joint training programs aimed toward qualifying more minorities and women for membership in the unions and increasing the skills of minorities and women so that they may qualify for higher paying employment.

b. The contractor will use good faith efforts to incorporate an EEO clause into each union agreement to the end that such union will be contractually bound to refer applicants without regard to their race, color, religion, sex, national origin, age or disability.

c. The contractor is to obtain information as to the referral practices and policies of the labor union except that to the extent such information is within the exclusive possession of the labor union and such labor union refuses to furnish such information to the contractor, the contractor shall so certify to the contracting agency and shall set forth what efforts have been made to obtain such information.

d. In the event the union is unable to provide the contractor with a reasonable flow of referrals within the time limit set forth in the collective bargaining agreement, the contractor will, through independent recruitment efforts, fill the employment vacancies without regard to race, color, religion, sex, national origin, age or disability; making full efforts to obtain qualified and/or qualifiable minorities and women. The failure of a union to provide sufficient referrals (even though it is obligated to provide exclusive referrals under the terms of a collective bargaining agreement) does not relieve the contractor from the requirements of this paragraph. In the event the union referral practice prevents the contractor from meeting the obligations pursuant to Executive Order 11246, as amended, and these special provisions, such contractor shall immediately notify the contracting agency.

8. Reasonable Accommodation for Applicants / Employees with Disabilities: The contractor must be familiar with the requirements for and comply with the Americans with Disabilities Act and all rules and regulations established there under. Employers must provide reasonable accommodation in all employment activities unless to do so would cause an undue hardship.

9. Selection of Subcontractors, Procurement of Materials and Leasing of Equipment: The contractor shall not discriminate on the grounds of race, color, religion, sex, national origin, age or disability in the selection and retention of subcontractors, including procurement of materials and leases of equipment. The contractor shall take all necessary and reasonable steps to ensure nondiscrimination in the administration of this contract.

a. The contractor shall notify all potential subcontractors and suppliers and lessors of their EEO obligations under this contract.

b. The contractor will use good faith efforts to ensure subcontractor compliance with their EEO obligations.

10. Assurance Required by 49 CFR 26.13(b):

a. The requirements of 49 CFR Part 26 and the State DOT's U.S. DOT-approved DBE program are incorporated by reference.

b. The contractor or subcontractor shall not discriminate on the basis of race, color, national origin, or sex in the performance of this contract. The contractor shall carry out applicable requirements of 49 CFR Part 26 in the award and administration of DOT-assisted contracts. Failure by the contractor to carry out these requirements is a material breach of this contract, which may result in the termination of this contract or such other remedy as the contracting agency deems appropriate.

11. Records and Reports: The contractor shall keep such records as necessary to document compliance with the EEO requirements. Such records shall be retained for a period of three years following the date of the final payment to the contractor for all contract work and shall be available at reasonable times and places for inspection by authorized representatives of the contracting agency and the FHWA.

a. The records kept by the contractor shall document the following:

(1) The number and work hours of minority and non-minority group members and women employed in each work classification on the project;

(2) The progress and efforts being made in cooperation with unions, when applicable, to increase employment opportunities for minorities and women; and

(3) The progress and efforts being made in locating, hiring, training, qualifying, and upgrading minorities and women;

b. The contractors and subcontractors will submit an annual report to the contracting agency each July for the duration of the project, indicating the number of minority, women, and non-minority group employees currently engaged in each work classification required by the contract work. This information is to be reported on [Form FHWA-1391](#). The staffing data should represent the project work force on board in all or any part of the last payroll period preceding the end of July. If on-the-job training is being required by special provision, the contractor will be required to collect and report training data. The employment data should reflect the work force on board during all or any part of the last payroll period preceding the end of July.

III. NONSEGREGATED FACILITIES

This provision is applicable to all Federal-aid construction contracts and to all related construction subcontracts of \$10,000 or more.

The contractor must ensure that facilities provided for employees are provided in such a manner that segregation on the basis of race, color, religion, sex, or national origin cannot result. The contractor may neither require such segregated use by written or oral policies nor tolerate such use by employee custom. The contractor's obligation extends further to ensure that its employees are not assigned to perform their services at any location, under the contractor's control, where the facilities are segregated. The term "facilities" includes waiting rooms, work areas, restaurants and other eating areas, time clocks, restrooms, washrooms, locker rooms, and other storage or dressing areas, parking lots, drinking fountains, recreation or entertainment areas, transportation, and housing provided for employees. The contractor shall provide separate or single-user restrooms and necessary dressing or sleeping areas to assure privacy between sexes.

IV. DAVIS-BACON AND RELATED ACT PROVISIONS

This section is applicable to all Federal-aid construction projects exceeding \$2,000 and to all related subcontracts and lower-tier subcontracts (regardless of subcontract size). The requirements apply to all projects located within the right-of-way of a roadway that is functionally classified as Federal-aid highway. This excludes roadways functionally classified as local roads or rural minor collectors, which are exempt. Contracting agencies may elect to apply these requirements to other projects.

The following provisions are from the U.S. Department of Labor regulations in 29 CFR 5.5 "Contract provisions and related matters" with minor revisions to conform to the FHWA-1273 format and FHWA program requirements.

1. Minimum wages

a. All laborers and mechanics employed or working upon the site of the work, will be paid unconditionally and not less often than once a week, and without subsequent deduction or rebate on any account (except such payroll deductions as are permitted by regulations issued by the Secretary of Labor under the Copeland Act (29 CFR part 3)), the full amount of wages and bona fide fringe benefits (or cash equivalents thereof) due at time of payment computed at rates not less than those contained in the wage determination of the Secretary of Labor which is attached hereto and made a part hereof, regardless of any contractual relationship which may be alleged to exist between the contractor and such laborers and mechanics.

Contributions made or costs reasonably anticipated for bona fide fringe benefits under section 1(b)(2) of the Davis-Bacon Act on behalf of laborers or mechanics are considered wages paid to such laborers or mechanics, subject to the provisions of paragraph 1.d. of this section; also, regular contributions made or costs incurred for more than a weekly period (but not less often than quarterly) under plans, funds, or programs which cover the particular weekly period, are deemed to be constructively made or incurred during such weekly period. Such laborers and

mechanics shall be paid the appropriate wage rate and fringe benefits on the wage determination for the classification of work actually performed, without regard to skill, except as provided in 29 CFR 5.5(a)(4). Laborers or mechanics performing work in more than one classification may be compensated at the rate specified for each classification for the time actually worked therein: Provided, That the employer's payroll records accurately set forth the time spent in each classification in which work is performed. The wage determination (including any additional classification and wage rates conformed under paragraph 1.b. of this section) and the Davis-Bacon poster (WH-1321) shall be posted at all times by the contractor and its subcontractors at the site of the work in a prominent and accessible place where it can be easily seen by the workers.

b. (1) The contracting officer shall require that any class of laborers or mechanics, including helpers, which is not listed in the wage determination and which is to be employed under the contract shall be classified in conformance with the wage determination. The contracting officer shall approve an additional classification and wage rate and fringe benefits therefore only when the following criteria have been met:

(i) The work to be performed by the classification requested is not performed by a classification in the wage determination; and

(ii) The classification is utilized in the area by the construction industry; and

(iii) The proposed wage rate, including any bona fide fringe benefits, bears a reasonable relationship to the wage rates contained in the wage determination.

(2) If the contractor and the laborers and mechanics to be employed in the classification (if known), or their representatives, and the contracting officer agree on the classification and wage rate (including the amount designated for fringe benefits where appropriate), a report of the action taken shall be sent by the contracting officer to the Administrator of the Wage and Hour Division, Employment Standards Administration, U.S. Department of Labor, Washington, DC 20210. The Administrator, or an authorized representative, will approve, modify, or disapprove every additional classification action within 30 days of receipt and so advise the contracting officer or will notify the contracting officer within the 30-day period that additional time is necessary.

(3) In the event the contractor, the laborers or mechanics to be employed in the classification or their representatives, and the contracting officer do not agree on the proposed classification and wage rate (including the amount designated for fringe benefits, where appropriate), the contracting officer shall refer the questions, including the views of all interested parties and the recommendation of the contracting officer, to the Wage and Hour Administrator for determination. The Wage and Hour Administrator, or an authorized representative, will issue a determination within 30 days of receipt and so advise the contracting officer or will notify the contracting officer within the 30-day period that additional time is necessary.

(4) The wage rate (including fringe benefits where appropriate) determined pursuant to paragraphs 1.b.(2) or 1.b.(3) of this section, shall be paid to all workers performing work in the classification under this contract from the first day on which work is performed in the classification.

c. Whenever the minimum wage rate prescribed in the contract for a class of laborers or mechanics includes a fringe benefit which is not expressed as an hourly rate, the contractor shall either pay the benefit as stated in the wage determination or shall pay another bona fide fringe benefit or an hourly cash equivalent thereof.

d. If the contractor does not make payments to a trustee or other third person, the contractor may consider as part of the wages of any laborer or mechanic the amount of any costs reasonably anticipated in providing bona fide fringe benefits under a plan or program, Provided, That the Secretary of Labor has found, upon the written request of the contractor, that the applicable standards of the Davis-Bacon Act have been met. The Secretary of Labor may require the contractor to set aside in a separate account assets for the meeting of obligations under the plan or program.

2. Withholding

The contracting agency shall upon its own action or upon written request of an authorized representative of the Department of Labor, withhold or cause to be withheld from the contractor under this contract, or any other Federal contract with the same prime contractor, or any other federally-assisted contract subject to Davis-Bacon prevailing wage requirements, which is held by the same prime contractor, so much of the accrued payments or advances as may be considered necessary to pay laborers and mechanics, including apprentices, trainees, and helpers, employed by the contractor or any subcontractor the full amount of wages required by the contract. In the event of failure to pay any laborer or mechanic, including any apprentice, trainee, or helper, employed or working on the site of the work, all or part of the wages required by the contract, the contracting agency may, after written notice to the contractor, take such action as may be necessary to cause the suspension of any further payment, advance, or guarantee of funds until such violations have ceased.

3. Payrolls and basic records

a. Payrolls and basic records relating thereto shall be maintained by the contractor during the course of the work and preserved for a period of three years thereafter for all laborers and mechanics working at the site of the work. Such records shall contain the name, address, and social security number of each such worker, his or her correct classification, hourly rates of wages paid (including rates of contributions or costs anticipated for bona fide fringe benefits or cash equivalents thereof of the types described in section 1(b)(2)(B) of the Davis-Bacon Act), daily and weekly number of hours worked, deductions made and actual wages paid. Whenever the Secretary of Labor has found under 29 CFR 5.5(a)(1)(iv) that the wages of any laborer or mechanic include the amount of any costs reasonably anticipated in providing benefits under a plan or program described in section 1(b)(2)(B) of the Davis-Bacon Act, the contractor shall maintain records which show that the commitment to provide such benefits is enforceable, that the plan or program is financially responsible, and that the plan or program has been communicated in writing to the laborers or mechanics affected, and records which show the costs anticipated or the actual cost incurred in providing such benefits. Contractors employing apprentices or trainees under approved programs shall maintain written evidence of the registration of apprenticeship programs and certification of trainee programs, the registration of the apprentices and trainees, and the ratios and wage rates prescribed in the applicable programs.

b. (1) The contractor shall submit weekly for each week in which any contract work is performed a copy of all payrolls to the contracting agency. The payrolls submitted shall set out accurately and completely all of the information required to be maintained under 29 CFR 5.5(a)(3)(i), except that full social security numbers and home addresses shall not be included on weekly transmittals. Instead the payrolls shall only need to include an individually identifying number for each employee (e.g. , the last four digits of the employee's social security number). The required weekly payroll information may be submitted in any form desired. Optional Form WH-347 is available for this purpose from the Wage and Hour Division Web site at <http://www.dol.gov/esa/whd/forms/wh347instr.htm> or its successor site. The prime contractor is responsible for the submission of copies of payrolls by all subcontractors. Contractors and subcontractors shall maintain the full social security number and current address of each covered worker, and shall provide them upon request to the contracting agency for transmission to the State DOT, the FHWA or the Wage and Hour Division of the Department of Labor for purposes of an investigation or audit of compliance with prevailing wage requirements. It is not a violation of this section for a prime contractor to require a subcontractor to provide addresses and social security numbers to the prime contractor for its own records, without weekly submission to the contracting agency..

(2) Each payroll submitted shall be accompanied by a "Statement of Compliance," signed by the contractor or subcontractor or his or her agent who pays or supervises the payment of the persons employed under the contract and shall certify the following:

(i) That the payroll for the payroll period contains the information required to be provided under §5.5 (a)(3)(ii) of Regulations, 29 CFR part 5, the appropriate information is being maintained under §5.5 (a)(3)(i) of Regulations, 29 CFR part 5, and that such information is correct and complete;

(ii) That each laborer or mechanic (including each helper, apprentice, and trainee) employed on the contract during the payroll period has been paid the full weekly wages earned, without rebate, either directly or indirectly, and that no deductions have been made either directly or indirectly from the full wages earned, other than permissible deductions as set forth in Regulations, 29 CFR part 3;

(iii) That each laborer or mechanic has been paid not less than the applicable wage rates and fringe benefits or cash equivalents for the classification of work performed, as specified in the applicable wage determination incorporated into the contract.

(3) The weekly submission of a properly executed certification set forth on the reverse side of Optional Form WH-347 shall satisfy the requirement for submission of the "Statement of Compliance" required by paragraph 3.b.(2) of this section.

(4) The falsification of any of the above certifications may subject the contractor or subcontractor to civil or criminal prosecution under section 1001 of title 18 and section 231 of title 31 of the United States Code.

c. The contractor or subcontractor shall make the records required under paragraph 3.a. of this section available for inspection, copying, or transcription by authorized representatives of the contracting agency, the State DOT, the FHWA, or the Department of Labor, and shall permit such representatives to interview employees during working hours on the job. If the contractor or subcontractor fails to submit the required records or to make them available, the FHWA may,

after written notice to the contractor, the contracting agency or the State DOT, take such action as may be necessary to cause the suspension of any further payment, advance, or guarantee of funds. Furthermore, failure to submit the required records upon request or to make such records available may be grounds for debarment action pursuant to 29 CFR 5.12.

4. Apprentices and trainees

a. Apprentices (programs of the USDOL).

Apprentices will be permitted to work at less than the predetermined rate for the work they performed when they are employed pursuant to and individually registered in a bona fide apprenticeship program registered with the U.S. Department of Labor, Employment and Training Administration, Office of Apprenticeship Training, Employer and Labor Services, or with a State Apprenticeship Agency recognized by the Office, or if a person is employed in his or her first 90 days of probationary employment as an apprentice in such an apprenticeship program, who is not individually registered in the program, but who has been certified by the Office of Apprenticeship Training, Employer and Labor Services or a State Apprenticeship Agency (where appropriate) to be eligible for probationary employment as an apprentice.

The allowable ratio of apprentices to journeymen on the job site in any craft classification shall not be greater than the ratio permitted to the contractor as to the entire work force under the registered program. Any worker listed on a payroll at an apprentice wage rate, who is not registered or otherwise employed as stated above, shall be paid not less than the applicable wage rate on the wage determination for the classification of work actually performed. In addition, any apprentice performing work on the job site in excess of the ratio permitted under the registered program shall be paid not less than the applicable wage rate on the wage determination for the work actually performed. Where a contractor is performing construction on a project in a locality other than that in which its program is registered, the ratios and wage rates (expressed in percentages of the journeyman's hourly rate) specified in the contractor's or subcontractor's registered program shall be observed.

Every apprentice must be paid at not less than the rate specified in the registered program for the apprentice's level of progress, expressed as a percentage of the journeymen hourly rate specified in the applicable wage determination. Apprentices shall be paid fringe benefits in accordance with the provisions of the apprenticeship program. If the apprenticeship program does not specify fringe benefits, apprentices must be paid the full amount of fringe benefits listed on the wage determination for the applicable classification. If the Administrator determines that a different practice prevails for the applicable apprentice classification, fringes shall be paid in accordance with that determination.

In the event the Office of Apprenticeship Training, Employer and Labor Services, or a State Apprenticeship Agency recognized by the Office, withdraws approval of an apprenticeship program, the contractor will no longer be permitted to utilize apprentices at less than the applicable predetermined rate for the work performed until an acceptable program is approved.

b. Trainees (programs of the USDOL).

Except as provided in 29 CFR 5.16, trainees will not be permitted to work at less than the predetermined rate for the work performed unless they are employed pursuant to and

individually registered in a program which has received prior approval, evidenced by formal certification by the U.S. Department of Labor, Employment and Training Administration.

The ratio of trainees to journeymen on the job site shall not be greater than permitted under the plan approved by the Employment and Training Administration.

Every trainee must be paid at not less than the rate specified in the approved program for the trainee's level of progress, expressed as a percentage of the journeyman hourly rate specified in the applicable wage determination. Trainees shall be paid fringe benefits in accordance with the provisions of the trainee program. If the trainee program does not mention fringe benefits, trainees shall be paid the full amount of fringe benefits listed on the wage determination unless the Administrator of the Wage and Hour Division determines that there is an apprenticeship program associated with the corresponding journeyman wage rate on the wage determination which provides for less than full fringe benefits for apprentices. Any employee listed on the payroll at a trainee rate who is not registered and participating in a training plan approved by the Employment and Training Administration shall be paid not less than the applicable wage rate on the wage determination for the classification of work actually performed. In addition, any trainee performing work on the job site in excess of the ratio permitted under the registered program shall be paid not less than the applicable wage rate on the wage determination for the work actually performed.

In the event the Employment and Training Administration withdraws approval of a training program, the contractor will no longer be permitted to utilize trainees at less than the applicable predetermined rate for the work performed until an acceptable program is approved.

c. Equal employment opportunity. The utilization of apprentices, trainees and journeymen under this part shall be in conformity with the equal employment opportunity requirements of Executive Order 11246, as amended, and 29 CFR part 30.

d. Apprentices and Trainees (programs of the U.S. DOT).

Apprentices and trainees working under apprenticeship and skill training programs which have been certified by the Secretary of Transportation as promoting EEO in connection with Federal-aid highway construction programs are not subject to the requirements of paragraph 4 of this Section IV. The straight time hourly wage rates for apprentices and trainees under such programs will be established by the particular programs. The ratio of apprentices and trainees to journeymen shall not be greater than permitted by the terms of the particular program.

5. Compliance with Copeland Act requirements. The contractor shall comply with the requirements of 29 CFR part 3, which are incorporated by reference in this contract.

6. Subcontracts. The contractor or subcontractor shall insert Form FHWA-1273 in any subcontracts and also require the subcontractors to include Form FHWA-1273 in any lower tier subcontracts. The prime contractor shall be responsible for the compliance by any subcontractor or lower tier subcontractor with all the contract clauses in 29 CFR 5.5.

7. Contract termination: debarment. A breach of the contract clauses in 29 CFR 5.5 may be grounds for termination of the contract, and for debarment as a contractor and a subcontractor as provided in 29 CFR 5.12.

8. Compliance with Davis-Bacon and Related Act requirements. All rulings and interpretations of the Davis-Bacon and Related Acts contained in 29 CFR parts 1, 3, and 5 are herein incorporated by reference in this contract.

9. Disputes concerning labor standards. Disputes arising out of the labor standards provisions of this contract shall not be subject to the general disputes clause of this contract. Such disputes shall be resolved in accordance with the procedures of the Department of Labor set forth in 29 CFR parts 5, 6, and 7. Disputes within the meaning of this clause include disputes between the contractor (or any of its subcontractors) and the contracting agency, the U.S. Department of Labor, or the employees or their representatives.

10. Certification of eligibility.

a. By entering into this contract, the contractor certifies that neither it (nor he or she) nor any person or firm who has an interest in the contractor's firm is a person or firm ineligible to be awarded Government contracts by virtue of section 3(a) of the Davis-Bacon Act or 29 CFR 5.12(a)(1).

b. No part of this contract shall be subcontracted to any person or firm ineligible for award of a Government contract by virtue of section 3(a) of the Davis-Bacon Act or 29 CFR 5.12(a)(1).

c. The penalty for making false statements is prescribed in the U.S. Criminal Code, 18 U.S.C. 1001.

V. CONTRACT WORK HOURS AND SAFETY STANDARDS ACT

The following clauses apply to any Federal-aid construction contract in an amount in excess of \$100,000 and subject to the overtime provisions of the Contract Work Hours and Safety Standards Act. These clauses shall be inserted in addition to the clauses required by 29 CFR 5.5(a) or 29 CFR 4.6. As used in this paragraph, the terms laborers and mechanics include watchmen and guards.

1. Overtime requirements. No contractor or subcontractor contracting for any part of the contract work which may require or involve the employment of laborers or mechanics shall require or permit any such laborer or mechanic in any workweek in which he or she is employed on such work to work in excess of forty hours in such workweek unless such laborer or mechanic receives compensation at a rate not less than one and one-half times the basic rate of pay for all hours worked in excess of forty hours in such workweek.

2. Violation; liability for unpaid wages; liquidated damages. In the event of any violation of the clause set forth in paragraph (1.) of this section, the contractor and any subcontractor responsible therefor shall be liable for the unpaid wages. In addition, such contractor and subcontractor shall be liable to the United States (in the case of work done under contract for the District of Columbia or a territory, to such District or to such territory), for liquidated damages. Such liquidated damages shall be computed with respect to each individual laborer or mechanic, including watchmen and guards, employed in violation of the clause set forth in paragraph (1.) of this section, in the sum of \$10 for each calendar day on which such individual

was required or permitted to work in excess of the standard workweek of forty hours without payment of the overtime wages required by the clause set forth in paragraph (1.) of this section.

3. Withholding for unpaid wages and liquidated damages. The FHWA or the contracting agency shall upon its own action or upon written request of an authorized representative of the Department of Labor withhold or cause to be withheld, from any moneys payable on account of work performed by the contractor or subcontractor under any such contract or any other Federal contract with the same prime contractor, or any other federally-assisted contract subject to the Contract Work Hours and Safety Standards Act, which is held by the same prime contractor, such sums as may be determined to be necessary to satisfy any liabilities of such contractor or subcontractor for unpaid wages and liquidated damages as provided in the clause set forth in paragraph (2.) of this section.

4. Subcontracts. The contractor or subcontractor shall insert in any subcontracts the clauses set forth in paragraph (1.) through (4.) of this section and also a clause requiring the subcontractors to include these clauses in any lower tier subcontracts. The prime contractor shall be responsible for compliance by any subcontractor or lower tier subcontractor with the clauses set forth in paragraphs (1.) through (4.) of this section.

VI. SUBLETTING OR ASSIGNING THE CONTRACT

This provision is applicable to all Federal-aid construction contracts on the National Highway System.

1. The contractor shall perform with its own organization contract work amounting to not less than 30 percent (or a greater percentage if specified elsewhere in the contract) of the total original contract price, excluding any specialty items designated by the contracting agency. Specialty items may be performed by subcontract and the amount of any such specialty items performed may be deducted from the total original contract price before computing the amount of work required to be performed by the contractor's own organization (23 CFR 635.116).

a. The term "perform work with its own organization" refers to workers employed or leased by the prime contractor, and equipment owned or rented by the prime contractor, with or without operators. Such term does not include employees or equipment of a subcontractor or lower tier subcontractor, agents of the prime contractor, or any other assignees. The term may include payments for the costs of hiring leased employees from an employee leasing firm meeting all relevant Federal and State regulatory requirements. Leased employees may only be included in this term if the prime contractor meets all of the following conditions:

(1) the prime contractor maintains control over the supervision of the day-to-day activities of the leased employees;

(2) the prime contractor remains responsible for the quality of the work of the leased employees;

(3) the prime contractor retains all power to accept or exclude individual employees from work on the project; and

(4) the prime contractor remains ultimately responsible for the payment of predetermined minimum wages, the submission of payrolls, statements of compliance and all other Federal regulatory requirements.

b. "Specialty Items" shall be construed to be limited to work that requires highly specialized knowledge, abilities, or equipment not ordinarily available in the type of contracting organizations qualified and expected to bid or propose on the contract as a whole and in general are to be limited to minor components of the overall contract.

2. The contract amount upon which the requirements set forth in paragraph (1) of Section VI is computed includes the cost of material and manufactured products which are to be purchased or produced by the contractor under the contract provisions.

3. The contractor shall furnish (a) a competent superintendent or supervisor who is employed by the firm, has full authority to direct performance of the work in accordance with the contract requirements, and is in charge of all construction operations (regardless of who performs the work) and (b) such other of its own organizational resources (supervision, management, and engineering services) as the contracting officer determines is necessary to assure the performance of the contract.

4. No portion of the contract shall be sublet, assigned or otherwise disposed of except with the written consent of the contracting officer, or authorized representative, and such consent when given shall not be construed to relieve the contractor of any responsibility for the fulfillment of the contract. Written consent will be given only after the contracting agency has assured that each subcontract is evidenced in writing and that it contains all pertinent provisions and requirements of the prime contract.

5. The 30% self-performance requirement of paragraph (1) is not applicable to design-build contracts; however, contracting agencies may establish their own self-performance requirements.

VII. SAFETY: ACCIDENT PREVENTION

This provision is applicable to all Federal-aid construction contracts and to all related subcontracts.

1. In the performance of this contract the contractor shall comply with all applicable Federal, State, and local laws governing safety, health, and sanitation (23 CFR 635). The contractor shall provide all safeguards, safety devices and protective equipment and take any other needed actions as it determines, or as the contracting officer may determine, to be reasonably necessary to protect the life and health of employees on the job and the safety of the public and to protect property in connection with the performance of the work covered by the contract.

2. It is a condition of this contract, and shall be made a condition of each subcontract, which the contractor enters into pursuant to this contract, that the contractor and any subcontractor shall not permit any employee, in performance of the contract, to work in surroundings or under conditions which are unsanitary, hazardous or dangerous to his/her health or safety, as determined under construction safety and health standards (29 CFR 1926) promulgated by the Secretary of Labor, in accordance with Section 107 of the Contract Work Hours and Safety Standards Act (40 U.S.C. 3704).

3. Pursuant to 29 CFR 1926.3, it is a condition of this contract that the Secretary of Labor or authorized representative thereof, shall have right of entry to any site of contract performance to inspect or investigate the matter of compliance with the construction safety and health standards and to carry out the duties of the Secretary under Section 107 of the Contract Work Hours and Safety Standards Act (40 U.S.C.3704).

VIII. FALSE STATEMENTS CONCERNING HIGHWAY PROJECTS

This provision is applicable to all Federal-aid construction contracts and to all related subcontracts.

In order to assure high quality and durable construction in conformity with approved plans and specifications and a high degree of reliability on statements and representations made by engineers, contractors, suppliers, and workers on Federal-aid highway projects, it is essential that all persons concerned with the project perform their functions as carefully, thoroughly, and honestly as possible. Willful falsification, distortion, or misrepresentation with respect to any facts related to the project is a violation of Federal law. To prevent any misunderstanding regarding the seriousness of these and similar acts, Form FHWA-1022 shall be posted on each Federal-aid highway project (23 CFR 635) in one or more places where it is readily available to all persons concerned with the project:

18 U.S.C. 1020 reads as follows:

"Whoever, being an officer, agent, or employee of the United States, or of any State or Territory, or whoever, whether a person, association, firm, or corporation, knowingly makes any false statement, false representation, or false report as to the character, quality, quantity, or cost of the material used or to be used, or the quantity or quality of the work performed or to be performed, or the cost thereof in connection with the submission of plans, maps, specifications, contracts, or costs of construction on any highway or related project submitted for approval to the Secretary of Transportation; or

Whoever knowingly makes any false statement, false representation, false report or false claim with respect to the character, quality, quantity, or cost of any work performed or to be performed, or materials furnished or to be furnished, in connection with the construction of any highway or related project approved by the Secretary of Transportation; or

Whoever knowingly makes any false statement or false representation as to material fact in any statement, certificate, or report submitted pursuant to provisions of the Federal-aid Roads Act approved July 1, 1916, (39 Stat. 355), as amended and supplemented;

Shall be fined under this title or imprisoned not more than 5 years or both."

IX. IMPLEMENTATION OF CLEAN AIR ACT AND FEDERAL WATER POLLUTION CONTROL ACT

This provision is applicable to all Federal-aid construction contracts and to all related subcontracts.

By submission of this bid/proposal or the execution of this contract, or subcontract, as appropriate, the bidder, proposer, Federal-aid construction contractor, or subcontractor, as appropriate, will be deemed to have stipulated as follows:

1. That any person who is or will be utilized in the performance of this contract is not prohibited from receiving an award due to a violation of Section 508 of the Clean Water Act or Section 306 of the Clean Air Act.
2. That the contractor agrees to include or cause to be included the requirements of paragraph (1) of this Section X in every subcontract, and further agrees to take such action as the contracting agency may direct as a means of enforcing such requirements.

X. CERTIFICATION REGARDING DEBARMENT, SUSPENSION, INELIGIBILITY AND VOLUNTARY EXCLUSION

This provision is applicable to all Federal-aid construction contracts, design-build contracts, subcontracts, lower-tier subcontracts, purchase orders, lease agreements, consultant contracts or any other covered transaction requiring FHWA approval or that is estimated to cost \$25,000 or more – as defined in 2 CFR Parts 180 and 1200.

1. Instructions for Certification – First Tier Participants:

a. By signing and submitting this proposal, the prospective first tier participant is providing the certification set out below.

b. The inability of a person to provide the certification set out below will not necessarily result in denial of participation in this covered transaction. The prospective first tier participant shall submit an explanation of why it cannot provide the certification set out below. The certification or explanation will be considered in connection with the department or agency's determination whether to enter into this transaction. However, failure of the prospective first tier participant to furnish a certification or an explanation shall disqualify such a person from participation in this transaction.

c. The certification in this clause is a material representation of fact upon which reliance was placed when the contracting agency determined to enter into this transaction. If it is later determined that the prospective participant knowingly rendered an erroneous certification, in addition to other remedies available to the Federal Government, the contracting agency may terminate this transaction for cause of default.

d. The prospective first tier participant shall provide immediate written notice to the contracting agency to whom this proposal is submitted if any time the prospective first tier participant learns that its certification was erroneous when submitted or has become erroneous by reason of changed circumstances.

e. The terms "covered transaction," "debarred," "suspended," "ineligible," "participant," "person," "principal," and "voluntarily excluded," as used in this clause, are defined in 2 CFR Parts 180 and 1200. "First Tier Covered Transactions" refers to any covered transaction between a grantee or subgrantee of Federal funds and a participant (such as the prime or

general contract). "Lower Tier Covered Transactions" refers to any covered transaction under a First Tier Covered Transaction (such as subcontracts). "First Tier Participant" refers to the participant who has entered into a covered transaction with a grantee or subgrantee of Federal funds (such as the prime or general contractor). "Lower Tier Participant" refers any participant who has entered into a covered transaction with a First Tier Participant or other Lower Tier Participants (such as subcontractors and suppliers).

f. The prospective first tier participant agrees by submitting this proposal that, should the proposed covered transaction be entered into, it shall not knowingly enter into any lower tier covered transaction with a person who is debarred, suspended, declared ineligible, or voluntarily excluded from participation in this covered transaction, unless authorized by the department or agency entering into this transaction.

g. The prospective first tier participant further agrees by submitting this proposal that it will include the clause titled "Certification Regarding Debarment, Suspension, Ineligibility and Voluntary Exclusion-Lower Tier Covered Transactions," provided by the department or contracting agency, entering into this covered transaction, without modification, in all lower tier covered transactions and in all solicitations for lower tier covered transactions exceeding the \$25,000 threshold.

h. A participant in a covered transaction may rely upon a certification of a prospective participant in a lower tier covered transaction that is not debarred, suspended, ineligible, or voluntarily excluded from the covered transaction, unless it knows that the certification is erroneous. A participant is responsible for ensuring that its principals are not suspended, debarred, or otherwise ineligible to participate in covered transactions. To verify the eligibility of its principals, as well as the eligibility of any lower tier prospective participants, each participant may, but is not required to, check the Excluded Parties List System website (<https://www.epls.gov/>), which is compiled by the General Services Administration.

i. Nothing contained in the foregoing shall be construed to require the establishment of a system of records in order to render in good faith the certification required by this clause. The knowledge and information of the prospective participant is not required to exceed that which is normally possessed by a prudent person in the ordinary course of business dealings.

j. Except for transactions authorized under paragraph (f) of these instructions, if a participant in a covered transaction knowingly enters into a lower tier covered transaction with a person who is suspended, debarred, ineligible, or voluntarily excluded from participation in this transaction, in addition to other remedies available to the Federal Government, the department or agency may terminate this transaction for cause or default.

* * * * *

2. Certification Regarding Debarment, Suspension, Ineligibility and Voluntary Exclusion – First Tier Participants:

a. The prospective first tier participant certifies to the best of its knowledge and belief, that it and its principals:

(1) Are not presently debarred, suspended, proposed for debarment, declared ineligible, or voluntarily excluded from participating in covered transactions by any Federal department or agency;

(2) Have not within a three-year period preceding this proposal been convicted of or had a civil judgment rendered against them for commission of fraud or a criminal offense in connection with obtaining, attempting to obtain, or performing a public (Federal, State or local) transaction or contract under a public transaction; violation of Federal or State antitrust statutes or commission of embezzlement, theft, forgery, bribery, falsification or destruction of records, making false statements, or receiving stolen property;

(3) Are not presently indicted for or otherwise criminally or civilly charged by a governmental entity (Federal, State or local) with commission of any of the offenses enumerated in paragraph (a)(2) of this certification; and

(4) Have not within a three-year period preceding this application/proposal had one or more public transactions (Federal, State or local) terminated for cause or default.

b. Where the prospective participant is unable to certify to any of the statements in this certification, such prospective participant shall attach an explanation to this proposal.

2. Instructions for Certification - Lower Tier Participants:

(Applicable to all subcontracts, purchase orders and other lower tier transactions requiring prior FHWA approval or estimated to cost \$25,000 or more - 2 CFR Parts 180 and 1200)

a. By signing and submitting this proposal, the prospective lower tier is providing the certification set out below.

b. The certification in this clause is a material representation of fact upon which reliance was placed when this transaction was entered into. If it is later determined that the prospective lower tier participant knowingly rendered an erroneous certification, in addition to other remedies available to the Federal Government, the department, or agency with which this transaction originated may pursue available remedies, including suspension and/or debarment.

c. The prospective lower tier participant shall provide immediate written notice to the person to which this proposal is submitted if at any time the prospective lower tier participant learns that its certification was erroneous by reason of changed circumstances.

d. The terms "covered transaction," "debarred," "suspended," "ineligible," "participant," "person," "principal," and "voluntarily excluded," as used in this clause, are defined in 2 CFR Parts 180 and 1200. You may contact the person to which this proposal is submitted for assistance in obtaining a copy of those regulations. "First Tier Covered Transactions" refers to any covered transaction between a grantee or subgrantee of Federal funds and a participant (such as the prime or general contract). "Lower Tier Covered Transactions" refers to any covered transaction under a First Tier Covered Transaction (such as subcontracts). "First Tier Participant" refers to the participant who has entered into a covered transaction with a grantee or subgrantee of Federal funds (such as the prime or general contractor). "Lower Tier Participant" refers any participant who has entered into a covered transaction with a First Tier Participant or other Lower Tier Participants (such as subcontractors and suppliers).

e. The prospective lower tier participant agrees by submitting this proposal that, should the proposed covered transaction be entered into, it shall not knowingly enter into any lower tier covered transaction with a person who is debarred, suspended, declared ineligible, or

voluntarily excluded from participation in this covered transaction, unless authorized by the department or agency with which this transaction originated.

f. The prospective lower tier participant further agrees by submitting this proposal that it will include this clause titled "Certification Regarding Debarment, Suspension, Ineligibility and Voluntary Exclusion-Lower Tier Covered Transaction," without modification, in all lower tier covered transactions and in all solicitations for lower tier covered transactions exceeding the \$25,000 threshold.

g. A participant in a covered transaction may rely upon a certification of a prospective participant in a lower tier covered transaction that is not debarred, suspended, ineligible, or voluntarily excluded from the covered transaction, unless it knows that the certification is erroneous. A participant is responsible for ensuring that its principals are not suspended, debarred, or otherwise ineligible to participate in covered transactions. To verify the eligibility of its principals, as well as the eligibility of any lower tier prospective participants, each participant may, but is not required to, check the Excluded Parties List System website (<https://www.epls.gov/>), which is compiled by the General Services Administration.

h. Nothing contained in the foregoing shall be construed to require establishment of a system of records in order to render in good faith the certification required by this clause. The knowledge and information of participant is not required to exceed that which is normally possessed by a prudent person in the ordinary course of business dealings.

i. Except for transactions authorized under paragraph e of these instructions, if a participant in a covered transaction knowingly enters into a lower tier covered transaction with a person who is suspended, debarred, ineligible, or voluntarily excluded from participation in this transaction, in addition to other remedies available to the Federal Government, the department or agency with which this transaction originated may pursue available remedies, including suspension and/or debarment.

* * * * *

Certification Regarding Debarment, Suspension, Ineligibility and Voluntary Exclusion-- Lower Tier Participants:

1. The prospective lower tier participant certifies, by submission of this proposal, that neither it nor its principals is presently debarred, suspended, proposed for debarment, declared ineligible, or voluntarily excluded from participating in covered transactions by any Federal department or agency.

2. Where the prospective lower tier participant is unable to certify to any of the statements in this certification, such prospective participant shall attach an explanation to this proposal.

* * * * *

XI. CERTIFICATION REGARDING USE OF CONTRACT FUNDS FOR LOBBYING

This provision is applicable to all Federal-aid construction contracts and to all related subcontracts which exceed \$100,000 (49 CFR 20).

1. The prospective participant certifies, by signing and submitting this bid or proposal, to the best of his or her knowledge and belief, that:

a. No Federal appropriated funds have been paid or will be paid, by or on behalf of the undersigned, to any person for influencing or attempting to influence an officer or employee of any Federal agency, a Member of Congress, an officer or employee of Congress, or an employee of a Member of Congress in connection with the awarding of any Federal contract, the making of any Federal grant, the making of any Federal loan, the entering into of any cooperative agreement, and the extension, continuation, renewal, amendment, or modification of any Federal contract, grant, loan, or cooperative agreement.

b. If any funds other than Federal appropriated funds have been paid or will be paid to any person for influencing or attempting to influence an officer or employee of any Federal agency, a Member of Congress, an officer or employee of Congress, or an employee of a Member of Congress in connection with this Federal contract, grant, loan, or cooperative agreement, the undersigned shall complete and submit Standard Form-LLL, "Disclosure Form to Report Lobbying," in accordance with its instructions.

2. This certification is a material representation of fact upon which reliance was placed when this transaction was made or entered into. Submission of this certification is a prerequisite for making or entering into this transaction imposed by 31 U.S.C. 1352. Any person who fails to file the required certification shall be subject to a civil penalty of not less than \$10,000 and not more than \$100,000 for each such failure.

3. The prospective participant also agrees by submitting its bid or proposal that the participant shall require that the language of this certification be included in all lower tier subcontracts, which exceed \$100,000 and that all such recipients shall certify and disclose accordingly.

ATTACHMENT A - EMPLOYMENT AND MATERIALS PREFERENCE FOR APPALACHIAN DEVELOPMENT HIGHWAY SYSTEM OR APPALACHIAN LOCAL ACCESS ROAD CONTRACTS

This provision is applicable to all Federal-aid projects funded under the Appalachian Regional Development Act of 1965.

1. During the performance of this contract, the contractor undertaking to do work which is, or reasonably may be, done as on-site work, shall give preference to qualified persons who regularly reside in the labor area as designated by the DOL wherein the contract work is situated, or the subregion, or the Appalachian counties of the State wherein the contract work is situated, except:

a. To the extent that qualified persons regularly residing in the area are not available.

b. For the reasonable needs of the contractor to employ supervisory or specially experienced personnel necessary to assure an efficient execution of the contract work.

c. For the obligation of the contractor to offer employment to present or former employees as the result of a lawful collective bargaining contract, provided that the number of nonresident persons employed under this subparagraph (1c) shall not exceed 20 percent of the total number of employees employed by the contractor on the contract work, except as provided in subparagraph (4) below.

2. The contractor shall place a job order with the State Employment Service indicating (a) the classifications of the laborers, mechanics and other employees required to perform the contract work, (b) the number of employees required in each classification, (c) the date on which the participant estimates such employees will be required, and (d) any other pertinent information required by the State Employment Service to complete the job order form. The job order may be placed with the State Employment Service in writing or by telephone. If during the course of the contract work, the information submitted by the contractor in the original job order is substantially modified, the participant shall promptly notify the State Employment Service.

3. The contractor shall give full consideration to all qualified job applicants referred to him by the State Employment Service. The contractor is not required to grant employment to any job applicants who, in his opinion, are not qualified to perform the classification of work required.

4. If, within one week following the placing of a job order by the contractor with the State Employment Service, the State Employment Service is unable to refer any qualified job applicants to the contractor, or less than the number requested, the State Employment Service will forward a certificate to the contractor indicating the unavailability of applicants. Such certificate shall be made a part of the contractor's permanent project records. Upon receipt of this certificate, the contractor may employ persons who do not normally reside in the labor area to fill positions covered by the certificate, notwithstanding the provisions of subparagraph (1c) above.

5. The provisions of 23 CFR 633.207(e) allow the contracting agency to provide a contractual preference for the use of mineral resource materials native to the Appalachian region.

6. The contractor shall include the provisions of Sections 1 through 4 of this Attachment A in every subcontract for work which is, or reasonably may be, done as on-site work.

AMENDMENT
REQUIRED CONTRACT PROVISIONS
(Exclusive of Appalachian Contracts)

FEDERAL-AID CONSTRUCTION CONTRACTS

The Federal–Aid provisions are supplemented with the following:

XII. Cargo Preference Act

1. U.S. Department of Transportation Federal Highway Administration memorandum dated December 11, 2015 requires that all federal-aid highway programs awarded after February 15, 2016 must comply with the Cargo Preference Act and its regulation of 46 CFR 381.7 (a)-(b).

APPENDIX C

BID PROPOSAL DOCUMENTS

INCLUDING:

Notice to Contractor

Proposal Form

Local Agency Certification for Federal-Aid Contracts Townsend

Non-Collusion Declaration

Proposal Signature Page

Contractor Certification Wage Law Compliance

Disadvantaged Business Enterprise Utilization Certification

Disadvantaged Business Enterprise (DBE) Written Confirmation Document



Lewis County Department of Public Works

Josh S. Metcalf, PE, Director

Tim Fife, PE, County Engineer

NOTICE TO CONTRACTORS

NOTICE IS HERBY GIVEN that the Board of County Commissioners of Lewis County or designee will open sealed proposals and publicly read them aloud on or after 12:30 P.M. on **Tuesday, October 27, 2020**, at the Lewis County Courthouse in Chehalis, Washington, for the Townsend Bridge No. 223 Replacement Project, CRP 2186. This contract provides for the improvement of *** Townsend Road MP 0.229 by replacing Bridge No. 223, *** and other work, all in accordance with the attached Contract Plans, these Contract Provisions, and the Standard Specifications.

SEALED BIDS MUST BE DELIVERED BY OR BEFORE 12:30 P.M. on Tuesday, October 27, 2020

(Lewis County official time is displayed on Axxess Intertel phones in the office of the Board of County Commissioners. **Bids submitted after 12:30 PM will not be considered for this project.**)

Sealed proposals must be delivered to the Lewis County Commissioners Office (351 N.W. North Street, Room 209, CMS-01, Chehalis, Washington 98532), by or before **12:30 P.M.** on the date specified for delivery, and in an envelope clearly marked: **“SEALED BID FOR THE TOWNSEND BRIDGE NO. 223 REPLACEMENT PROJECT, CRP 2186, F. A. PROJECT NO. BROS-2021(056), TO BE OPENED ON OR AFTER 12:30 P.M. ON OCTOBER 27, 2020.”**

All bid proposals shall be accompanied by a bid proposal deposit in cash, certified check, cashier's check or surety bond in an amount equal to five percent (5%) of the amount of such bid proposal. Should the successful bidder fail to enter into such contract and furnish satisfactory performance bond within the time stated in the specifications, the bid proposal deposit shall be forfeited to the Lewis County Public Works Department.

Informational copies of maps, plans and specifications are on file for inspection in the office of the County Engineer of Lewis County in Chehalis, Washington. The contract documents may be viewed and downloaded from Lewis County's Web Site @ www.lewiscountywa.gov or you may call the Lewis County Engineers office @ (360)740-2612 and request a copy be mailed to you.

The Lewis County Public Works Department in accordance with Title VI of the Civil Rights Act of 1964, 78 Stat. 252, 42 U.S.C. 2000d to 2000d-4 and Title 49, Code of Federal Regulations, Department of Transportation, subtitle A, Office of the Secretary, Part 21, nondiscrimination in Federally assisted programs of the Department of Transportation issued pursuant to such Act, hereby notifies all bidders that it will affirmatively ensure that in any contract entered into pursuant to this advertisement, disadvantaged business enterprises as defined at 49 CFR Part 26 will be afforded full opportunity to submit bids in response to this invitation and will not be discriminated against on the grounds of race, color, or national origin, or sex in consideration for an award.

PROPOSAL

TO: BOARD OF COUNTY COMMISSIONERS
LEWIS COUNTY
CHEHALIS, WASHINGTON 98532

This certifies that the undersigned has examined the location of the Townsend Bridge No. 223 Replacement Project, CRP 2186, F.A. Project No. BROS-2021(056), in Lewis County, Washington, and that the plans, specifications and contract governing the work embraced in these improvements, and the method by which payment will be made for said work is understood. The undersigned hereby proposes to undertake and complete the work embraced in this improvement, or as much thereof as can be completed with the money available in accordance with the said plans, specifications and contract, and the following schedules of rates and prices:

NOTE: Unit prices for all items, all extensions, and total amount of bid shall be shown: All entries must be typed or entered in ink.

ITEM NO.	PLAN QUANTITY	ITEM DESCRIPTION	UNIT PRICE DOLLARS CENTS	AMOUNT DOLLARS CENTS
1	1 L.S.	Mobilization	LUMP SUM	\$
2	1 L.S.	Clearing and Grubbing	LUMP SUM	\$
3	1 L.S.	Removing Existing Bridge - Townsend Road Bridge	LUMP SUM	\$
4	74 C.Y.	Common Borrow Incl Haul	\$	\$
5	497 C.Y.	Gravel Borrow Incl. Haul	\$	\$
6	640 C.Y.	Channel Excavation Incl Haul	\$	\$
7	466 TON	Light Loose Riprap	\$	\$
8	405 TON	Streambed Aggregates	\$	\$
9	74 L.F.	Underdrain Pipe 6 In. Diam.	\$	\$
10	368 C.Y.	Structure Excavation Class A Incl. Haul	\$	\$
11	1 L.S.	Shoring or Extra Excavation Cl. A	LUMP SUM	\$
12	1,710 LB.	Epoxy-Coated St. Reinf Bar for Bridge	\$	\$
13	14,660 LB.	St. Reinf. Bar for Bridge	\$	\$
14	299 L.F.	Prestressed Conc. Girder - 30 Inch Voided Deck Slab Girder	\$	\$
15	10 EA.	Elastomeric Bearing - Superstr.	\$	\$
16	4 EA.	Elastomeric Stop Pads	\$	\$
17	105 C.Y.	Conc. Class 4000 for Bridge	\$	\$
18	128 L.F.	Bridge Railing Type 3-Tube	\$	\$
19	390 TON	Crushed Surfacing Base Course	\$	\$
20	130 TON	Crushed Surfacing Top Course	\$	\$
21	1 L.S.	Erosion Control and Water Pollution Prevention	LUMP SUM	\$
22	9 EA.	Logs	\$	\$
23	719 EA.	Live Pole	\$	\$
24	1 L.S.	Temporary Stream Diversion	LUMP SUM	\$

ITEM NO.	PLAN QUANTITY	ITEM DESCRIPTION	UNIT PRICE		AMOUNT	
			DOLLARS	CENTS	DOLLARS	CENTS
25	1 EA.	Beam Guardrail Anchor Type 10	\$		\$	
26	1 EA.	Beam Guardrail Type 31 Non-Flared Terminal	\$		\$	
27	38 L.F.	Beam Guardrail Type 31	\$		\$	
28	2 EA.	Beam Guardrail Transition Section Type 24	\$		\$	
29	1 L.S.	Project Temporary Traffic Control		LUMP SUM	\$	
30	100 S.F.	Construction Signs Class A	\$		\$	
31	4 C.Y.	Gravel Backfill for Drain	\$		\$	
32	31 L.F.	Chain Link Fence, Type 4	\$		\$	
33	1 EA.	Access Control Gate	\$		\$	
34	1 L.S.	Trimming and Cleanup		LUMP SUM	\$	
35	0 Calc.	Reimbursement For Third Party Damage		ESTIMATED		\$0.00
36	1 EST.	Minor Change		CALCULATED		\$25,000.00
37	1 L.S.	SPCC Plan		LUMP SUM	\$	
				TOTAL BID	\$	

Local Agency Certification for Federal-Aid Contracts

The prospective participant certifies by signing and submitting this bid or proposal, to the best of his or her knowledge and belief, that:

(1) No Federal appropriated funds have been paid or will be paid, by or on behalf of the undersigned, to any person for influencing or attempting to influence an officer or employee of any Federal agency, a Member of Congress, an officer or employee of Congress, or an employee of a Member of Congress in connection with the awarding of any Federal contract, the making of any Federal grant, the making of any Federal loan, the entering into of any cooperative agreement, and the extension, continuation, renewal, amendment, or modification of any Federal contract, grant, loan or cooperative agreement.

(2) If any funds other than Federal appropriated funds have been paid or will be paid to any person for influencing or attempting to influence an officer or employee of any Federal agency, a Member of Congress, an officer or employee of Congress, or an employee of a Member of Congress in connection with this Federal contract, grant, loan, or cooperative agreement, the undersigned shall complete and submit Standard Form-LLL, "Disclosure Form to Report Lobbying," in accordance with its instructions.

This certification is material representation of the fact upon which reliance was placed when this transaction was made or entered into. Submission of this certification is a prerequisite for making or entering into this transaction imposed by Section 1352, Title 31, U.S. Code. Any person who fails to file the required certification shall be subject to a civil penalty of not less than \$10,000 and not more than \$100,000 for each failure.

The prospective participant also agrees by submitting his or her bid or proposal that he or she shall require that the language of this certification be included in all lower tier subcontracts, which exceed \$100,000 and that all such subrecipients shall certify and disclose accordingly.

SR

DOT Form 272-040A EF
07/2011

Failure to return this Declaration as part of the bid proposal package will make the bid nonresponsive and ineligible for award.

NON-COLLUSION DECLARATION

I, by signing the proposal, hereby declare, under penalty of perjury under the laws of the United States that the following statements are true and correct:

1. That the undersigned person(s), firm, association or corporation has (have) not, either directly or indirectly, entered into any agreement, participated in any collusion, or otherwise taken any action in restraint of free competitive bidding in connection with the project for which this proposal is submitted.
2. That by signing the signature page of this proposal, I am deemed to have signed and to have agreed to the provisions of this declaration.

NOTICE TO ALL BIDDERS

To report rigging activities call:

1-800-424-9071

The U.S. Department of Transportation (USDOT) operates the above toll-free "hotline" Monday through Friday, 8:00 a.m. to 5:00 p.m., eastern time. Anyone with knowledge of possible bid rigging, bidder collusion, or other fraudulent activities should use the "hotline" to report such activities.

The "hotline" is part of USDOT's continuing effort to identify and investigate highway construction contract fraud and abuse and is operated under the direction of the USDOT Inspector General. All information will be treated confidentially and caller anonymity will be respected.

PROPOSAL - SIGNATURE PAGE

The bidder is hereby advised that by signature of this proposal he/she is deemed to have acknowledged all requirements and signed all certificates contained herein.

A proposal guaranty in an amount of five percent (5%) of the total bid, based upon the approximate estimate of quantities at the above prices and in the form as indicated below, is attached hereto:

CASH IN THE AMOUNT OF _____

CASHIER'S CHECK _____ DOLLARS

CERTIFIED CHECK (\$ _____) PAYABLE TO THE LEWIS COUNTY TREASURER

PROPOSAL BOND IN THE AMOUNT OF 5% OF THE BID

** Receipt is hereby acknowledged of addendum(s) No.(s) _____, _____, _____, & _____

SIGNATURE OF AUTHORIZED OFFICIAL(S)

Proposal Must be Signed

Firm Name

Address

State of Washington Contractor's License No.

Unified Business Identifier (U.B.I.) No.

Telephone No.

Federal ID No.

Note:

This proposal form is not transferable and any alteration of the firm's name entered hereon without prior permission from the Lewis County Engineer will be cause for considering the proposal irregular and subsequent rejection of the bid.

*Attach Power of Attorney



**Contractor Certification
Wage Law Compliance - Responsibility Criteria
Washington State Public Works Contracts**

FAILURE TO RETURN THIS CERTIFICATION AS PART OF THE BID PROPOSAL PACKAGE WILL MAKE THIS BID NONRESPONSIVE AND INELIGIBLE FOR AWARD

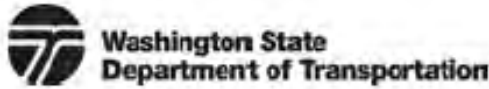
I hereby certify, under penalty of perjury under the laws of the State of Washington, on behalf of the firm identified below that, to the best of my knowledge and belief, this firm has NOT been determined by a final and binding citation and notice of assessment issued by the Washington State Department of Labor and Industries or through a civil judgment entered by a court of limited or general jurisdiction to have willfully violated, as defined in RCW 49.48.082, any provision of RCW chapters 49.46, 49.48, or 49.52 within three (3) years prior to the date of the Call for Bids.

Bidder Name: _____
Name of Contractor/Bidder - Print full legal entity name of firm

By: _____
Signature of authorized person Print Name of person making certifications for firm

Title: _____ **Place:** _____
Title of person signing certificate Print city and state where signed

Date: _____



Underutilized Disadvantaged Business Enterprise Utilization Certification

To be eligible for Award of this Contract the Bidder shall fill out and submit, as a supplement to its sealed Bid Proposal, an Underutilized Disadvantaged Business Enterprise (UDBE) Utilization Certification. The Contracting Agency shall consider as non-responsive and shall reject any Bid Proposal that does not contain a UDBE Utilization Certification which properly demonstrates that the Bidder will meet the UDBE participation requirements in one of the manners provided for in the proposed Contract. **Refer to the instructions on Page 2 when filling out this form or the Bid may be rejected. An example form has been provided on Page 3.** The successful Bidder's UDBE Utilization Certification shall be deemed a part of the resulting Contract.

Box 1: _____ certifies that the UDBE firms listed below have been contacted regarding participation on this project. If this Bidder is successful on this project and is awarded the Contract, it shall assure that subcontracts or supply agreements are executed with named UDBEs. (If necessary, use additional sheets.)

Box 2: _____

Column 1 Name of UDBE <small>(See Instructions)</small>	Column 2 Project Role <small>(See Instructions)</small>	Column 3 Description of Work <small>(See Instructions)</small>	Column 4 Dollar Amount Subcontracted to UDBE <small>(See Instructions)</small>	Column 5 Dollar Amount to be Applied Towards Goal <small>(See Instructions)</small>

Underutilized Disadvantaged Business Enterprise Condition of Award Contract Goal _____ Total UDBE Commitment Dollar Amount _____
Box 3 Box 4

5 By checking Box 5 the Bidder is stating that their attempts to solicit sufficient UDBE participation to meet the COA Contract goal has been unsuccessful and good faith effort will be submitted in accordance with Section 1-02.9 of the Contract

DOT Form 272-056U
Revised 02/2015

Instructions for Underutilized Disadvantaged Business Enterprise Utilization Certification Form

Box 1: Name of Bidder (Proposal holder) submitting Bid.

Box 2: Name of the Project.

Column 1: Name of the Underutilized Disadvantaged Business Enterprise (UDBE). UDBE Firms can be found using the search tools under the Firm Certification section of the Diversity Management and Compliance System web page <https://wsdot.diversitycompliance.com>. Repeat the name of the UDBE for each Project Role that will be performed.

Column 2: The Project Role that the UDBE will be performing as follows;

- Prime Contractor
- Subcontractor
- Subcontractor (Force Account)
 - Work sublet as Force Account must be listed separately.
- Manufacturer
- Regular Dealer
 - Work sublet to a Regular Dealer must be listed separately.
 - Regular Dealer status must be approved prior to Bid submittal by the Office of Equal Opportunity, Washington State Department of Transportation, on each Contract.
- Broker
 - Work sublet to a Broker must be listed separately.

List each project role to be performed by a single UDBE individually on a separate row(s). The role is used to determine what portion of the amount to be subcontracted (Column 4) may be applied toward meeting the goal (column 5).

Column 3: Provide a description of the work to be performed by the UDBE. The work to be performed must be consistent with the Certified Business Description of the UDBE provided at the Diversity Management and Compliance System web page <https://wsdot.diversitycompliance.com>.

- A Bidder subletting a portion of a bid item shall state "Partial" and describe the Work that is included.
 - For example; "Electrical (Partial) – Trenching".
- "Mobilization" will not be accepted as a description of Work.

Column 4: List the total amount to be subcontracted to each UDBE for each Project Role they are performing.

Column 5: This is the dollar amount for each line listed in the certification that the prime intends to apply towards meeting the COA Contract goal. It may be that only a portion of the amount subcontracted to a UDBE in Column 4 is eligible to be credited toward meeting the goal See **Note 1, Note 2, Note 3**. The Contracting Agency will utilize the sum of this column (Box 4) to determine whether or not the bidder has met the goal. In the event of an arithmetic error in summing column 5 or an error in making appropriate reductions in the amounts in column four, See **Note 1, Note 2, Note 3**, then the mathematics will be corrected and the total (Box 4) will be revised accordingly.

Note 1: For Work sublet as Force Account the bidder **may only claim 50%** of the amount subcontracted (Column 4) towards meeting the goal (Column 5). This information will be used to demonstrate that the UDBE contract goal is met at the time that the bidder submits their bid. For example; amount sublet as force account = \$100,000 (Column 4) equates to $(\$100,000 \times 50\%) = \$50,000$ (Column 5) to be applied towards the goal.

Note 2: For Work sublet to a Regular Dealer the bidder **may only claim 60%** of the cost of the materials or supplies (Column 4) towards meeting the goal (Column 5). For example; Material cost = \$100,000 (Column 4) equates to $(\$100,000 \times 60\%) = \$60,000$ (Column 5) to be applied towards the goal.

Note 3: For Work sublet to a Broker the bidder **may only claim the fees** paid to a Broker towards meeting the goal (Column 4). For example; amount sublet to a broker = \$100,000 (Column 4) equates to $(\$100,000 \times \text{reasonable fee \%}) = \$$ (Column 5) to be applied towards the goal.

Box 3: Box 3 is the COA Contract goal which is the minimum required UDBE participation. The goal stated in the Contract will be in terms of a dollar amount or a percentage in the Contract. When expressed as a percentage you must multiply the percentage times the sum total of all bid items as submitted in the Bidder's Proposal to determine the dollar goal and write it in Box 3. In the event of an error in this box, the Contracting Agency will revise the amount accordingly.

Box 4: Box 4 is the sum of the values in column 5. **This value must equal or exceed the COA Contract goal amount written in Box 3 or;**

Box 5: Check Box 5 if insufficient UDBE Participation has been achieved and a good faith effort is required. Refer to the subsection titled, *Selection of Successful Bidder/Good Faith Efforts (GFE)* in the Contract.

See the Disadvantaged Business Enterprise Participation specification in the Contract for more information.

**Underutilized Disadvantaged Business
Enterprise Utilization Certification**

To be eligible for Award of this Contract the Bidder shall fill out and submit, as a supplement to its sealed Bid Proposal, an Underutilized Disadvantaged Business Enterprise (UDBE) Utilization Certification. The Contracting Agency shall consider as non-responsive and shall reject any Bid Proposal that does not contain a UDBE Utilization Certification which properly demonstrates that the Bidder will meet the UDBE participation requirements in one of the manners provided for in the proposed Contract. Refer to the instructions on Page 2 when filling out this form or the Bid may be rejected. An example form has been provided on Page 3. The successful Bidder's UDBE Utilization Certification shall be deemed a part of the resulting Contract.

Box 1: A Plus Construction Company certifies that the UDBE firms listed below have been contacted regarding participation on this project. If this Bidder is successful on this project and is awarded the Contract, it shall assure that subcontracts or supply agreements are executed with named UDBEs. (If necessary, use additional sheets.)

Box 2: US 395, Spokane City Limits to Stevens County Line - Paving and Safety

Column 1 Name of UDBE (See Instructions)	Column 2 Project Role (See Instructions)	Column 3 Description of Work (See Instructions)	Column 4 Dollar Amount Subcontracted to UDBE (See Instructions)	Column 5 Dollar Amount to be Applied Towards Goal (See Instructions)
A Plus Construction Company	Prime	Asphalt and concrete paving, asphalt milling, preleveling and pavement repair	N/A	900,000
In the Line Services, Inc.	Subcontractor (Force Account)	Crack sealing	20,000	10,000
In the Line Services, Inc.	Subcontractor	Guideposts, joint seal, pavement markers, temporary signage, construction sign installation	200,000	200,000
The Everything Grys, LLC	Regular Dealer	Rental and sales of highway construction and related equipment and materials	100,000	60,000
Optimum Prime Trucking, Inc.	Subcontractor	Dump Trucking	50,000	50,000
Metalheads, Inc.	Manufacturer	Dowel Bars	75,000	75,000
Erosion Under Control Co.	Broker	Erosion control blankets, straw bales and wattles, sand bags	15,000	250

EXAMPLE

Underutilized Disadvantaged Business Enterprise Condition of Award Contract Goal 356,968.16 Box 3 Total UDBE Commitment Dollar Amount 1,295,250 Box 4

5 By checking Box 5 the Bidder is stating that their attempts to solicit sufficient UDBE participation to meet the COA Contract goal has been unsuccessful and good faith effort will be submitted in accordance with Section 1-02.9 of the Contract



**Underutilized Disadvantaged Business
Enterprise (UDBE) Written
Confirmation Document**

See Contract Provisions: *UDBE Document Submittal Requirements*
Disadvantaged Business Enterprise Participation

THIS FORM SHALL ONLY BE SUBMITTED TO A UDBE THAT IS LISTED ON THE CONTRACTOR'S UNDERUTILIZED DISADVANTAGED BUSINESS ENTERPRISE UTILIZATION CERTIFICATION.

THE CONTRACTOR SHALL COMPLETE PART A PRIOR TO SENDING TO THE UDBE.

PART A: To be completed by the bidder

The entries below shall be consistent with what is shown on the Bidder's Underutilized Disadvantaged Business Enterprise Utilization Certification. Failure to do so will result in Bid rejection.

Contract Title: _____

Bidder's Business Name: _____

UDBE's Business Name: _____

Description of UDBE's Work: _____

Dollar Amount to be Applied Towards UDBE Goal: _____

Dollar Amount to be Subcontracted to UDBE*: _____
*Optional Field

PART B: To be completed by the Underutilized Disadvantaged Business Enterprise

As an authorized representative of the Underutilized Disadvantaged Business Enterprise, I confirm that we have been contacted by the Bidder with regard to the referenced project for the purpose of performing the Work described above. If the Bidder is awarded the Contract, we will enter into an agreement with the Bidder to participate in the project consistent with the information provided in Part A of this form.

Name (printed): _____

Signature: _____

Title: _____

Address: _____ Date: _____

APPENDIX D

CONTRACT DOCUMENTS

INCLUDING:

Contract Form

Performance Bond

Power Equipment List

-
CONTRACT

THIS AGREEMENT, made and entered into this ___ day of _____, 2020, between the BOARD OF COUNTY COMMISSIONERS of LEWIS COUNTY, State of Washington, acting under and by virtue of RCW 36.77.040, hereinafter called

the Board, and _____ of _____

for ___sel___, heirs, executors, administrators, successors and assigns, hereinafter called the Contractor.

WITNESSETH:

That in consideration of the payments, covenants and agreements hereinafter mentioned to be made and performed by the parties hereto, the parties hereto covenant and agree as follows:

DESCRIPTION OF WORK:

1. The Contractor shall do all work and furnish all material necessary to improve *** Townsend Road MP 0.229 by replacing Bridge No. 223,*** and other work all in Lewis County Washington, in accordance with and as described in the attached plans and specifications, and in full compliance with the terms, conditions and stipulations herein set forth and attached, now referred to and by such reference incorporated herein and made a part hereof as fully for all purposes as if here set forth at length, and shall perform any alterations in or additions to the work covered by this contract and every part thereof and any extra work which may be ordered as provided in this contract and every part thereof.

The Contractor shall provide and be at the expense of all materials, labor, carriage, tools, implements and conveniences and things of every description that may be requisite for the transfer of materials and for constructing and completing the work provided for in this contract and every part thereof.

2. The County hereby promises and agrees with the Contractor to hire and does hire the Contractor to provide the materials and to do and cause to be done the above described work and to complete and furnish the same according to the attached plans and specifications and the terms and conditions herein contained, and hereby contracts to pay for the same according to the schedule of unit or itemized prices at the time and in the manner and upon the conditions provided for in this contract and every part thereof. The County further agrees to hire the contractor to perform any alterations in or conditions to the work covered by this contract and every part thereof and any force account work that may be ordered and to pay for the same under the terms of this contract and the attached plans and specifications.

3. The Contractor for himself, and for his heirs, executors, administrators, successors and assigns, does hereby agree to the full performance of all the covenants herein contained upon the part of the Contractor.

4. It is further provided that no liability shall attach to the County by reason of entering into this contract, except as expressly provided herein.

Contract - 1

5. CANCELLATION OF CONTRACT FOR VIOLATION OF STATE POLICY

This contract, pursuant to RCW 49.28.040 to RCW 49.28.060, may be canceled by the officers or agents of the Owner authorized to contract for or supervise the execution of such work, in case such work is not performed in accordance with the policy of the State of Washington.

6. DOCUMENTS COMPRISING CONTRACT

All documents hereto attached, including but not being limited to the advertisement for bids, information for bidders, bid proposal form, general conditions (if any), special conditions (if any), complete specifications and the complete plans, are hereby made a part of this contract.

IN WITNESS WHEREOF, the said Contractor has executed this instrument, and the said Board of County Commissioners of aforesaid County, pursuant to resolution duly adopted, has caused this instrument to be executed by and in the name of said Board by its Chairman, duly attested by its Clerk, the day and year first above written, and the seal of said Board to be hereunto affixed on the date in this instrument first above written.

By: _____

Contractor

Performance of foregoing contract assured in accordance with the terms of the accompanying bond.

Dated: _____, 2020

By: _____

Surety

By: _____

Attorney-in-fact

APPROVED AS TO FORM:

JONATHAN L. MEYER, Prosecuting Attorney

By: _____

Civil Deputy

APPROVED:

County Engineer

Contract – 2

**PERFORMANCE BOND FOR
LEWIS COUNTY, WASHINGTON**

Bond No. _____

WE, _____ d/b/a _____
(Insert legal name of Contractor) (Insert trade name of Contractor, if any)

(hereinafter "Principal"), and _____ (hereinafter "Surety"), are held and firmly bound unto **LEWIS COUNTY, WASHINGTON** (hereinafter "County"), as Oblige, in an amount (in lawful money of the United States of America) equal to the total compensation and expense reimbursement payable to Principal for satisfactory completion of Principal's work under Contract No. **CRP 2186, F.A. Project No. BROS-2021 (056)**, between Principal and County, which total is *initially* _____ Dollars (\$ _____), for the payment of which sum Principal and Surety bind themselves, their executors, administrators, legal representatives, successors and assigns, jointly and severally, firmly by these presents. Said contract (hereinafter referred to as "the Contract") is for the **Townsend Bridge No. 223 Replacement Project**, and is made a part hereof by this reference. The Contract includes the original agreement as well as all documents attached thereto or made a part thereof and amendments, change orders, and any other document modifying, adding to or deleting from said Contract any portion thereof.

This Bond is executed in accordance with the laws of the State of Washington, and is subject to all provisions thereof and the ordinances of County insofar as they are not in conflict therewith, and is entered into for the use and benefit of County, and all laborers, mechanics, subcontractors, and materialmen, and all persons who supply such person or persons, or subcontractors, with provisions or supplies for the carrying on of the work covered by Contract No. **CRP 2186, F.A. Project No. BROS-2021 (056)**, between the below-named Contractor and County for the **Townsend Bridge No. 223 Replacement Project**, a copy of which Contract, by this reference is made a part hereof and is hereinafter referred to as "the Contract." (The Contract as defined herein includes the aforesaid agreement together with all of the Contract documents including addenda, exhibits, attachments, modifications, alterations, and additions thereto, deletions therefrom, amendments and any other document or provision attached to or incorporated into the Contract)

THE CONDITION OF THIS OBLIGATION is such that if Contractor shall promptly and faithfully perform the Contract, then this obligation shall be null and void; otherwise it shall remain in full force and effect.

THE PARTIES FURTHER ACKNOWLEDGE & AGREE AS FOLLOWS:

- (1) Surety hereby consents to, and waives notice of, any alteration, change order, or other modification of the Contract and any extension of time made by County, except that any single or cumulative change order amounting to more than twenty-five percent (25%) of the penal sum of this bond shall require Surety's written consent.
- (2) Surety recognizes that the Contract includes provisions for additions, deletions, and modifications to the work or Contract Time and the amounts payable to Contractor. Subject to the limitations contained in paragraph (1) above, no such change or any combination thereof, shall void or impair Surety's obligation hereunder.
- (3) Surety is subject to the provisions contained in Section 1-03.4, "Contract Bond," of the Washington State Department of Transportation (WSDOT) Standard Specifications for Road, Bridge, and Municipal Construction, and such provisions are incorporated by reference. A copy may be viewed at WSDOT's website www.wsdot.wa.gov/Publications/Manuals/.
- (4) Whenever County has declared Contractor to be in default and County has given Surety written notice of such declaration, Surety shall promptly (in no event more than thirty [30] days following receipt of such notice), specify, in written notice to County, which of the following actions Surety intends to take to remedy such default, and thereafter shall:
 - (a) Remedy the default within fifteen (15) days after its notice to County, as stated in such notice; or
 - (b) Assume within fifteen (15) days following its notice to County, full responsibility for the completion of the Contract in accordance with all of its provisions, as stated in such notice, and become entitled to payment of the balance of the Contract sum as provided in the Contract; or
 - (c) Pay County upon completion of the Contract, in cash, the cost of completion together with all other reasonable costs and expenses incurred by County as a result of Contractor's default, including but not limited to those incurred by County to mitigate its losses, which may include but are not limited to attorneys' fees and the cost of efforts to complete the work prior to Surety's exercising any option available to it under this Bond; or
 - (d) Obtain a bid or bids for completing the Contract in accordance with its terms and conditions, and upon a determination by County and Surety jointly of the lowest responsible bidder, arrange for one or more agreements between such bidder and County, and make available as work progresses (even though there is a default or a succession of defaults under such agreement(s) for completion arranged for under this paragraph) sufficient funds to pay the cost of completion less the balance of the Contract price, but not exceeding, including other costs and damages for which Surety may be liable hereunder, the penal sum of this Bond. The term "balance of the Contract price," as used in this paragraph, shall mean the total amount payable by County to Contractor under the Contract, less the amount properly paid by County to Contractor.

(5) If County commences suit and obtains judgment against Surety for recovery hereunder, then Surety, in addition to such judgment, shall pay all costs and attorneys' fees incurred by County in enforcement of County's rights hereunder. The venue for any action arising out of or in connection with this bond shall be in Lewis County, Washington.

(6) No right or action shall accrue on this Bond to or for the use of any person or corporation other than Lewis County, except as herein provided.

(7) No rider, amendment or other document modifies this Bond except as follows, which by this reference is incorporated herein:

SURETY'S QUALIFICATIONS: Every Surety named on this bond must appear on the United States Treasury Department's most current list (Circular 570 as amended or superseded) and be authorized by the Washington State Insurance Commissioner to transact business as a surety in the State of Washington. In addition, the Surety must have a current rating of at least A-:VII in A. M. Best's Key Rating Guide.

INSTRUCTIONS FOR SIGNATURES: This bond must be signed by the president or a vice-president of a corporation; the managing general partner of a partnership; managing joint venturer of a joint venture; manager of a limited liability company or, if no manager has been designated, a member of such LLC; a general partner of a limited liability partnership; or the owner(s) of a sole proprietorship. If the bond is signed by any other representative, the Principal must attach currently-dated, written proof of that signer's authority to bind the Principal, identifying and quoting the provision in the corporate articles of incorporation, bylaws, Board resolution, partnership agreement, certificate of formation, or other document authorizing delegation of signature authority to such signer, and confirmation acceptable to the County that such delegation was in effect on the date the bond was signed. **A NOTARY PUBLIC MUST ACKNOWLEDGE EACH SIGNATURE BELOW.**

FOR THE SURETY:

FOR THE PRINCIPAL:

By _____
(Signature of Attorney-in-Fact)

By: _____
(Signature of authorized signer for Contractor)

(Type or print name of Attorney-in-Fact)

(Type or print name of signer for Contractor)

(Type or print telephone number for Attorney-in-Fact)

(Type or print title of signer for Contractor)

STATE OF _____)
) ss: **ACKNOWLEDGMENT FOR CONTRACTOR**
COUNTY OF _____)

On this ____ day of _____, _____, before me a notary public in and for the State of _____, duly commissioned and sworn, personally appeared _____, the person described in and who executed the foregoing bond, and acknowledged to me that _____ signed and sealed said bond as the free and voluntary act and deed of the Contractor so identified in the foregoing bond for the uses and purposes therein mentioned, and on oath stated that _____ is authorized to execute said bond for the Contractor named therein. WITNESS my hand and official seal hereto affixed the day and year in this certificate first above written.

(Signature of Notary Public) (Print or type name of Notary Public)

Notary Public in and for the State of _____ residing at _____
My commission expires _____ **SEAL →**

STATE OF _____)
) ss: **ACKNOWLEDGMENT FOR SURETY**
COUNTY OF _____)

On this ____ day of _____, _____, before me a notary public in and for the State of _____, duly commissioned and sworn, personally appeared _____, Attorney-in-Fact for the Surety that executed the foregoing bond, and acknowledged said bond to be the free and voluntary act and deed of the Surety for the uses and purposes therein mentioned, and on oath stated that _____ is authorized to execute said bond on behalf of the Surety, and that the seal affixed on said bond or the annexed Power of Attorney is the corporate seal of said Surety. WITNESS my hand and official seal hereto affixed the day and year in this certificate first above written.

(Signature of Notary Public) (Print or type name of Notary Public)

Notary Public in and for the State of _____ residing at _____
My commission expires _____ **SEAL →**

POWER EQUIPMENT LIST

The undersigned furthermore certifies that he/she is thoroughly aware that time is of the essence for the completion of this contract within the time specified in the special provisions, and hereby agrees to provide the Engineer a list of his power equipment to be used on this project.

This equipment list will be used in computing any Force Account that may be performed within this contract.

The Contractor must complete this form in its entirety.

POWER EQUIPMENT

Type of Equipment	Make	Model Number	Serial Number	* Capacity	Year Built

APPENDIX E

ENVIRONMENTAL PERMIT DOCUMENTS



HYDRAULIC PROJECT APPROVAL

Washington Department of
Fish & Wildlife
PO Box 43234
Olympia, WA 98504-3234
(360) 902-2200

Issued Date: September 22, 2020
Project End Date: September 30, 2023

Permit Number: 2020-5-93+01
FPA/Public Notice Number: N/A
Application ID: 22985

PERMITTEE	AUTHORIZED AGENT OR CONTRACTOR
Lewis County Public Works ATTENTION: Ann Weckback 2025 NE Kresky Ave Chehalis, WA 98532-2308	

Project Name: Townsend Bridge #223 Replacement – CRP 2186

Project Description: Lewis County Public Works is proposing to replace the existing Townsend Bridge #223 with an approximately 55-foot long, 18-foot wide concrete voided slab girder bridge. Additional work will include the removal of the existing bridge and abutments; raising of approximately 350 feet of roadway; regrade of an existing turnaround to the north of the proposed bridge replacement; replacement of existing riprap; placement of new riprap with incorporated large woody debris; and installation of willow stakes.

PROVISIONS

TIMING - PLANS - INVASIVE SPECIES CONTROL

1. **TIMING LIMITATION:** You may begin the project on September 22, 2020 and you must complete the project by September 30, 2023.

Work below the Ordinary High Water line shall only occur between July 1 and September 30.

2. **APPROVED PLANS:** You must accomplish the work per plans and specifications submitted with the application and approved by the Washington Department of Fish and Wildlife, except as modified by this Hydraulic Project Approval. You must have a copy of these plans available on site during all phases of the project construction.

3. **INVASIVE SPECIES CONTROL:** Follow Method 1 for low risk locations (i.e. clean/drain/dry). Thoroughly remove visible dirt and debris from all equipment and gear (including drive mechanisms, wheels, tires, tracks, buckets, and undercarriage) before arriving and leaving the job site to prevent the transport and introduction of invasive species. For contaminated or high risk sites please refer to the Method 2 Decontamination protocol. Properly dispose of any water and chemicals used to clean gear and equipment. You can find this and additional information in the Washington Department of Fish and Wildlife's "Invasive Species Management Protocols", available online at <https://wdfw.wa.gov/species-habitats/invasive/prevention>.

NOTIFICATION REQUIREMENTS

4. **PRE- AND POST-CONSTRUCTION NOTIFICATION:** You, your agent, or contractor must contact the Washington Department of Fish and Wildlife by e-mail at HPAapplications@dfw.wa.gov; mail to Post Office Box 43234, Olympia, Washington 98504-3234; or fax to (360) 902-2946 at least three business days before starting work, and again within seven days after completing the work. The notification must include the permittee's name, project location, starting date for work or date the work was completed, and the permit number. The Washington Department of Fish and Wildlife may conduct inspections during and after construction; however, the Washington Department of Fish and Wildlife will notify you or your agent before conducting the inspection.

5. **FISH KILL/ WATER QUALITY PROBLEM NOTIFICATION:** If a fish kill occurs or fish are observed in distress at the job site, immediately stop all activities causing harm. Immediately notify the Washington Department of Fish and



HYDRAULIC PROJECT APPROVAL

Washington Department of
Fish & Wildlife
PO Box 43234
Olympia, WA 98504-3234
(360) 902-2200

Issued Date: September 22, 2020
Project End Date: September 30, 2023

Permit Number: 2020-5-93+01
FPA/Public Notice Number: N/A
Application ID: 22985

Wildlife of the problem. If the likely cause of the fish kill or fish distress is related to water quality, also notify the Washington Military Department Emergency Management Division at 1-800-258-5990. Activities related to the fish kill or fish distress must not resume until the Washington Department of Fish and Wildlife gives approval. The Washington Department of Fish and Wildlife may require additional measures to mitigate impacts.

STAGING, JOB SITE ACCESS, AND EQUIPMENT

6. Establish staging areas (used for equipment storage, vehicle storage, fueling, servicing, and hazardous material storage) in a location and manner that will prevent contaminants such as petroleum products, hydraulic fluid, fresh concrete, sediments, sediment-laden water, chemicals, or any other toxic or harmful materials from entering waters of the state.
7. Design and locate new temporary access roads to prevent erosion and sediment delivery to waters of the state.
8. Clearly mark boundaries to establish the limit of work associated with site access and construction.
9. Retain all natural habitat features on the bed or banks including large woody material and boulders. You may move these natural habitat features during construction but you must place them near the preproject location before leaving the job site.
10. Confine the use of equipment to the specific access and work corridor shown in the approved plans.
11. Remove soil or debris from the drive mechanisms (wheels, tires, tracks, etc.) and undercarriage of equipment prior to operating the equipment waterward of the ordinary high water line.
12. If wet or muddy conditions exist, in or near a riparian zone or wetland area, use equipment that reduces ground pressure.
13. Check equipment daily for leaks and complete any required repairs in an upland location before using the equipment in or near the water.
14. Use environmentally acceptable lubricants composed of biodegradable base oils such as vegetable oils, synthetic esters, and polyalkylene glycols in equipment operated in or near the water.

CONSTRUCTION-RELATED SEDIMENT, EROSION AND POLLUTION CONTAINMENT

15. Work in the dry watercourse (when no natural flow is occurring in the channel, or when flow is diverted around the job site).
16. Protect all disturbed areas from erosion. Maintain erosion and sediment control until all work and cleanup of the job site is complete.
17. All erosion control materials that will remain onsite must be composed of 100% biodegradable materials.
18. Straw used for erosion and sediment control, must be certified free of noxious weeds and their seeds.
19. Stop all hydraulic project activities except those needed to control erosion and siltation, if flow conditions arise that will result in erosion or siltation of waters of the state.
20. Prevent project contaminants, such as petroleum products, hydraulic fluid, fresh concrete, sediments, sediment-laden water, chemicals, or any other toxic or harmful materials, from entering or leaching into waters of the state.
21. Use tarps or other methods to prevent treated wood, sawdust, trimmings, drill shavings and other debris from contacting the bed or waters of the state.
22. Deposit waste material from the project, such as construction debris, silt, excess dirt, or overburden, in an upland area above the limits of anticipated floodwater unless the material is approved by the Washington Department of Fish and Wildlife for reuse in the project.
23. Deposit all trash from the project at an appropriate upland disposal location.

CONSTRUCTION MATERIALS



HYDRAULIC PROJECT APPROVAL

Washington Department of
Fish & Wildlife
PO Box 43234
Olympia, WA 98504-3234
(360) 902-2200

Issued Date: September 22, 2020
Project End Date: September 30, 2023

Permit Number: 2020-5-93+01
FPA/Public Notice Number: N/A
Application ID: 22985

24. Store all construction and deconstruction material in a location and manner that will prevent contaminants such as petroleum products, hydraulic fluid, fresh cement, sediments, sediment-laden water, chemicals, or any other toxic or harmful materials from entering waters of the state.

25. To prevent leaching, construct forms to contain any wet concrete. Place impervious material over wet concrete that will come in contact with waters of the state. Forms and impervious materials must remain in place until the concrete is cured.

26. Do not use wood treated with oil-type preservatives (creosote, pentachlorophenol) in any hydraulic project. You may use wood treated with waterborne preservatives (ACZA, ACQ) provided the wood is approved by the Western Wood Preservers Institute for use in the aquatic environment. Any use of treated wood in the aquatic environment must follow guidelines and best management practices available at www.wwpinstitute.org.

IN-WATER WORK AREA ISOLATION USING A COFFERDAM STRUCTURE

27. Use a cofferdam, dike, or similar structure to exclude water from the work area.

28. Maintain water quality when installing and removing the cofferdam, dike or similar structure.

29. Install the cofferdam, dike or similar structure and remove fish prior to the start of other work in the wetted perimeter.

30. Route the construction water (wastewater) from the project to an upland area above the limits of anticipated floodwater. Remove fine sediment and other contaminants before discharging the construction water to waters of the state.

31. Sequence the work to minimize the duration of dewatering.

FISH LIFE REMOVAL

32. All persons participating in capture and removal must have training, knowledge, and skills in the safe handling of fish life.

33. Place block nets upstream and downstream of the in-water work area before capturing and removing fish life.

34. Capture and safely move fish life from the work area to the nearest suitable free-flowing water.

BRIDGE

35. Prevent the existing structure and associated construction materials from entering the stream when removing them.

36. Clean the bridge deck of aggregate or earth materials before removing the bridge.

37. Dismantle and mechanically remove as much of the bridge as possible. Bridge parts that cannot be mechanically removed may be broken into the largest sections that can be safely handled and dropped into the stream. You must remove these sections from the stream immediately.

38. Install biotechnical/ hard armor/ LWD for slope protection outside the bridge shadow as shown in the approved plans.

DEMOBILIZATION AND CLEANUP

39. Upon completion of the project, restore the disturbed bed, banks, and riparian zone to preproject condition to the extent possible.

40. Completely remove any temporary fill before the end of the in-water timing window if the fill material could erode and deliver sediment-laden water into waters of the state.

41. To minimize sediment delivery to the stream or stream channel, do not return in-stream flows to the work area until all in-channel work is completed and the bed and banks are stabilized.

42. Seed areas disturbed by construction activities with a native seed mix suitable for the site that has at least one quick-establishing plant species.



HYDRAULIC PROJECT APPROVAL

Washington Department of
Fish & Wildlife
PO Box 43234
Olympia, WA 98504-3234
(360) 902-2200

Issued Date: September 22, 2020
Project End Date: September 30, 2023

Permit Number: 2020-5-93+01
FPA/Public Notice Number: N/A
Application ID: 22985

- 43. Complete replanting of riparian vegetation during the first dormant season (late fall through late winter) after project completion per the approved plan. Maintain plantings for at least three years to ensure at least eighty percent of the plantings survive. Failure to achieve the eighty percent survival in year three will require you to submit a plan with follow-up measures to achieve requirements or reasons to modify requirements.
- 44. Upon completion of the project, remove all materials or equipment from the site and dispose of all excess spoils and waste materials in an upland area above the limits of anticipated floodwater.
- 45. Return water flow slowly to the in-water work area to prevent the downstream release of sediment laden water. If necessary, install silt fencing above the bypass outlet to capture sediment during re-watering of the channel.
- 46. Remove temporary erosion and sediment control methods after job site is stabilized or within three months of project completion, whichever is sooner.

LOCATION #1:	Site Name: Townsend Bridge #223 Townsend Rd MP 0.229, Onalaska, WA 98570					
WORK START:	May 1, 2021			WORK END:	October 31, 2021	
<u>WRIA</u>	<u>Waterbody:</u>			<u>Tributary to:</u>		
26 - Cowlitz	Mill Creek (lb)			Lacamas Creek		
<u>1/4 SEC:</u>	<u>Section:</u>	<u>Township:</u>	<u>Range:</u>	<u>Latitude:</u>	<u>Longitude:</u>	<u>County:</u>
SW 1/4	22	13 N	02 E	46.592278	-122.547184	Lewis
<u>Location #1 Driving Directions</u>						
From I-5, take exit 71 for WA-508 E toward Napavine/Onalaska and head east for 18.1 miles. Turn right onto Cinebar Rd and follow for 0.8 miles until you reach Townsend Rd then take a left. Follow for 0.229 miles until you reach the destination.						

APPLY TO ALL HYDRAULIC PROJECT APPROVALS

This Hydraulic Project Approval pertains only to those requirements of the Washington State Hydraulic Code, specifically Chapter 77.55 RCW. Additional authorization from other public agencies may be necessary for this project. The person(s) to whom this Hydraulic Project Approval is issued is responsible for applying for and obtaining any additional authorization from other public agencies (local, state and/or federal) that may be necessary for this project.

This Hydraulic Project Approval shall be available on the job site at all times and all its provisions followed by the person (s) to whom this Hydraulic Project Approval is issued and operator(s) performing the work.

This Hydraulic Project Approval does not authorize trespass.

The person(s) to whom this Hydraulic Project Approval is issued and operator(s) performing the work may be held liable for any loss or damage to fish life or fish habitat that results from failure to comply with the provisions of this Hydraulic Project Approval.



HYDRAULIC PROJECT APPROVAL

Washington Department of
Fish & Wildlife
PO Box 43234
Olympia, WA 98504-3234
(360) 902-2200

Issued Date: September 22, 2020
Project End Date: September 30, 2023

Permit Number: 2020-5-93+01
FPA/Public Notice Number: N/A
Application ID: 22985

Failure to comply with the provisions of this Hydraulic Project Approval could result in civil action against you, including, but not limited to, a stop work order or notice to comply, and/or a gross misdemeanor criminal charge, possibly punishable by fine and/or imprisonment.

All Hydraulic Project Approvals issued under RCW 77.55.021 are subject to additional restrictions, conditions, or revocation if the Department of Fish and Wildlife determines that changed conditions require such action. The person(s) to whom this Hydraulic Project Approval is issued has the right to appeal those decisions. Procedures for filing appeals are listed below.

MINOR MODIFICATIONS TO THIS HPA: You may request approval of minor modifications to the required work timing or to the plans and specifications approved in this HPA unless this is a General HPA. If this is a General HPA you must use the Major Modification process described below. Any approved minor modification will require issuance of a letter documenting the approval. A minor modification to the required work timing means any change to the work start or end dates of the current work season to enable project or work phase completion. Minor modifications will be approved only if spawning or incubating fish are not present within the vicinity of the project. You may request subsequent minor modifications to the required work timing. A minor modification of the plans and specifications means any changes in the materials, characteristics or construction of your project that does not alter the project's impact to fish life or habitat and does not require a change in the provisions of the HPA to mitigate the impacts of the modification. If you originally applied for your HPA through the online Aquatic Protection Permitting System (APPS), you may request a minor modification through APPS. A link to APPS is at <http://wdfw.wa.gov/licensing/hpa/>. If you did not use APPS you must submit a written request that clearly indicates you are seeking a minor modification to an existing HPA. Written requests must include the name of the applicant, the name of the authorized agent if one is acting for the applicant, the APP ID number of the HPA, the date issued, the permitting biologist, the requested changes to the HPA, the reason for the requested change, the date of the request, and the requestor's signature. Send by mail to: Washington Department of Fish and Wildlife, PO Box 43234, Olympia, Washington 98504-3234, or by email to HPAapplications@dfw.wa.gov. You should allow up to 45 days for the department to process your request.

MAJOR MODIFICATIONS TO THIS HPA: You may request approval of major modifications to any aspect of your HPA. Any approved change other than a minor modification to your HPA will require issuance of a new HPA. If you originally applied for your HPA through the online Aquatic Protection Permitting System (APPS), you may request a major modification through APPS. A link to APPS is at <http://wdfw.wa.gov/licensing/hpa/>. If you did not use APPS you must submit a written request that clearly indicates you are requesting a major modification to an existing HPA. Written requests must include the name of the applicant, the name of the authorized agent if one is acting for the applicant, the APP ID number of the HPA, the date issued, the permitting biologist, the requested changes to the HPA, the reason for the requested change, the date of the request, and the requestor's signature. Send your written request by mail to: Washington Department of Fish and Wildlife, PO Box 43234, Olympia, Washington 98504-3234. You may email your request for a major modification to HPAapplications@dfw.wa.gov. You should allow up to 45 days for the department to process your request.

APPEALS INFORMATION



HYDRAULIC PROJECT APPROVAL

Washington Department of
Fish & Wildlife
PO Box 43234
Olympia, WA 98504-3234
(360) 902-2200

Issued Date: September 22, 2020
Project End Date: September 30, 2023

Permit Number: 2020-5-93+01
FPA/Public Notice Number: N/A
Application ID: 22985

If you wish to appeal the issuance, denial, conditioning, or modification of a Hydraulic Project Approval (HPA), Washington Department of Fish and Wildlife (WDFW) recommends that you first contact the department employee who issued or denied the HPA to discuss your concerns. Such a discussion may resolve your concerns without the need for further appeal action. If you proceed with an appeal, you may request an informal or formal appeal. WDFW encourages you to take advantage of the informal appeal process before initiating a formal appeal. The informal appeal process includes a review by department management of the HPA or denial and often resolves issues faster and with less legal complexity than the formal appeal process. If the informal appeal process does not resolve your concerns, you may advance your appeal to the formal process. You may contact the HPA Appeals Coordinator at (360) 902-2534 for more information.

A. INFORMAL APPEALS: WAC 220-660-460 is the rule describing how to request an informal appeal of WDFW actions taken under Chapter 77.55 RCW. Please refer to that rule for complete informal appeal procedures. The following information summarizes that rule.

A person who is aggrieved by the issuance, denial, conditioning, or modification of an HPA may request an informal appeal of that action. You must send your request to WDFW by mail to the HPA Appeals Coordinator, Department of Fish and Wildlife, Habitat Program, PO Box 43234, Olympia, Washington 98504-3234; e-mail to HPAapplications@dfw.wa.gov; fax to (360) 902-2946; or hand-delivery to the Natural Resources Building, 1111 Washington St SE, Habitat Program, Fifth floor. WDFW must receive your request within 30 days from the date you receive notice of the decision. If you agree, and you applied for the HPA, resolution of the appeal may be facilitated through an informal conference with the WDFW employee responsible for the decision and a supervisor. If a resolution is not reached through the informal conference, or you are not the person who applied for the HPA, the HPA Appeals Coordinator or designee may conduct an informal hearing or review and recommend a decision to the Director or designee. If you are not satisfied with the results of the informal appeal, you may file a request for a formal appeal.

B. FORMAL APPEALS: WAC 220-660-470 is the rule describing how to request a formal appeal of WDFW actions taken under Chapter 77.55 RCW. Please refer to that rule for complete formal appeal procedures. The following information summarizes that rule.

A person who is aggrieved by the issuance, denial, conditioning, or modification of an HPA may request a formal appeal of that action. You must send your request for a formal appeal to the clerk of the Pollution Control Hearings Boards and serve a copy on WDFW within 30 days from the date you receive notice of the decision. You may serve WDFW by mail to the HPA Appeals Coordinator, Department of Fish and Wildlife, Habitat Program, PO Box 43234, Olympia, Washington 98504-3234; e-mail to HPAapplications@dfw.wa.gov; fax to (360) 902-2946; or hand-delivery to the Natural Resources Building, 1111 Washington St SE, Habitat Program, Fifth floor. The time period for requesting a formal appeal is suspended during consideration of a timely informal appeal. If there has been an informal appeal, you may request a formal appeal within 30 days from the date you receive the Director's or designee's written decision in response to the informal appeal.

C. FAILURE TO APPEAL WITHIN THE REQUIRED TIME PERIODS: If there is no timely request for an appeal, the WDFW action shall be final and unappealable.



HYDRAULIC PROJECT APPROVAL

Washington Department of
Fish & Wildlife
PO Box 43234
Olympia, WA 98504-3234
(360) 902-2200

Issued Date: September 22, 2020
Project End Date: September 30, 2023

Permit Number: 2020-5-93+01
FPA/Public Notice Number: N/A
Application ID: 22985

Habitat Biologist Scott.Brummer@dfw.wa.gov
Scott Brummer 360-785-0472

A handwritten signature in black ink that reads "Scott Brummer".

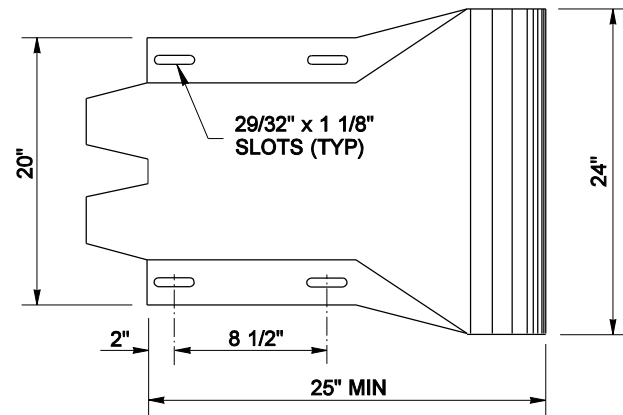
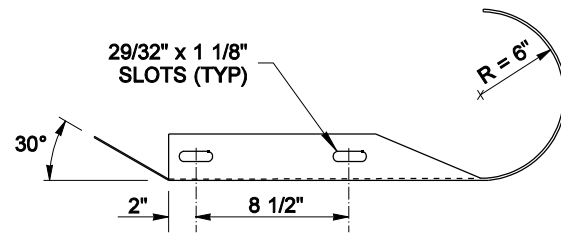
for Director
WDFW

APPENDIX F

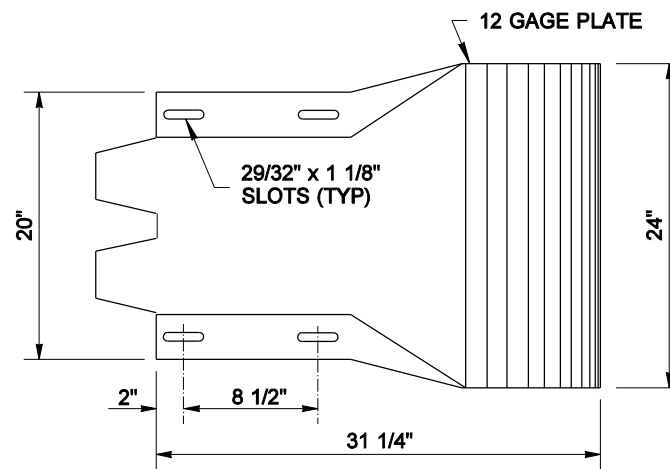
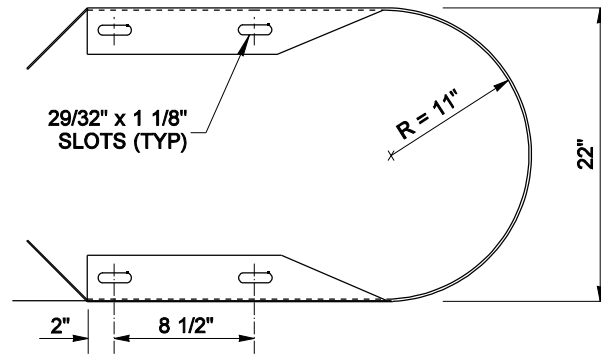
STANDARD PLANS

CONTRACT PLANS WITH TRAFFIC CONTROL PLAN

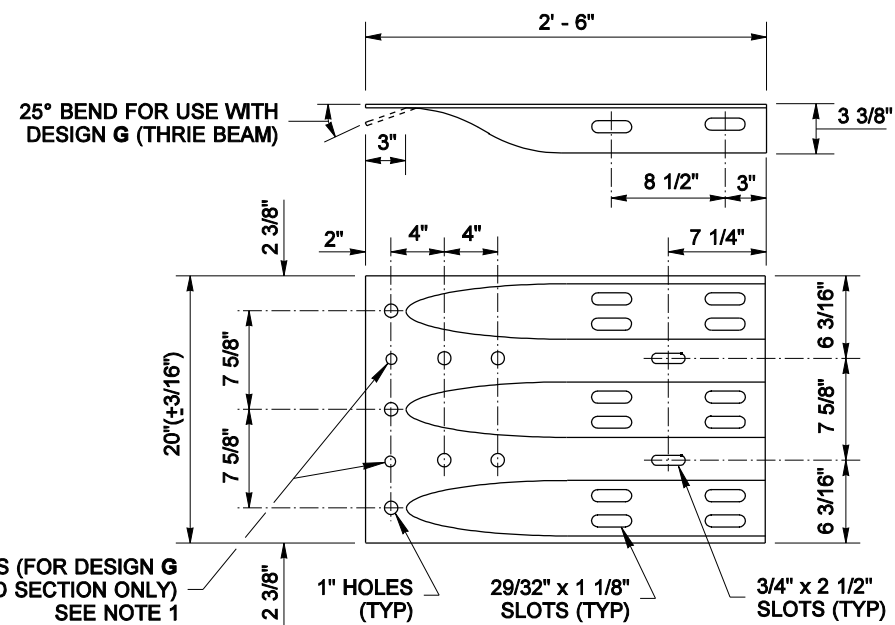
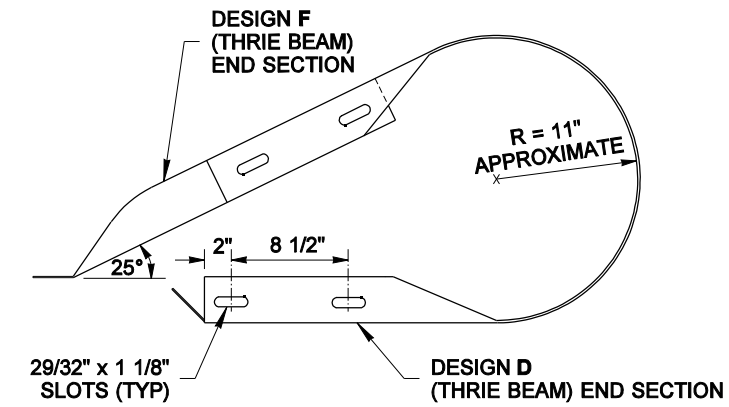
DRAWN BY: FERN LIDDELL



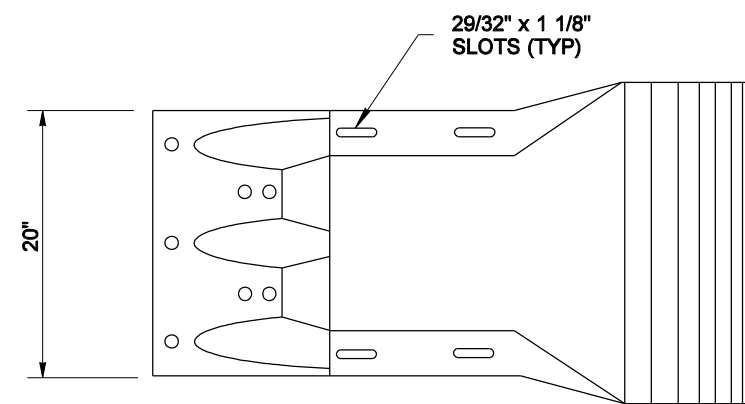
DESIGN C (THRIE BEAM)



DESIGN D (THRIE BEAM)



DESIGN F (THRIE BEAM)



DESIGN G (THRIE BEAM)

NOTES

1. Attach guardrail to bridge rail or concrete barrier with 7/8" diameter bolts (five minimum) **Standard Spec. 9-06.5(4)**, with thin slab ferrule inserts or resin bonded anchors. See the Contract Plans.
2. In cases where Design F End Section is lapped on the outside of the guardrail, a galvanized 1" ID, 2" OD, 0.134" thick, narrow Type A Plain Washer or an anchor rail washer will be placed under the splice bolt heads.



NOTE: THIS PLAN IS NOT A LEGAL ENGINEERING DOCUMENT UNLESS IT IS APPROVED FOR PUBLICATION BY THE ENGINEER AND APPROVED FOR PUBLICATION IS FILED AT THE WASHINGTON STATE DEPARTMENT OF TRANSPORTATION. A COPY MAY BE OBTAINED UPON REQUEST.

**THRIE BEAM
END SECTIONS
STANDARD PLAN C-7a**

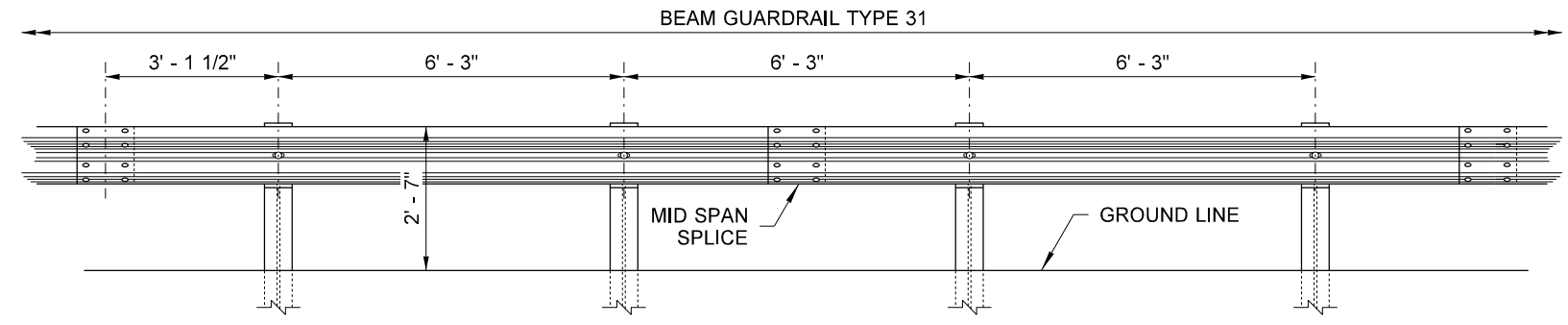
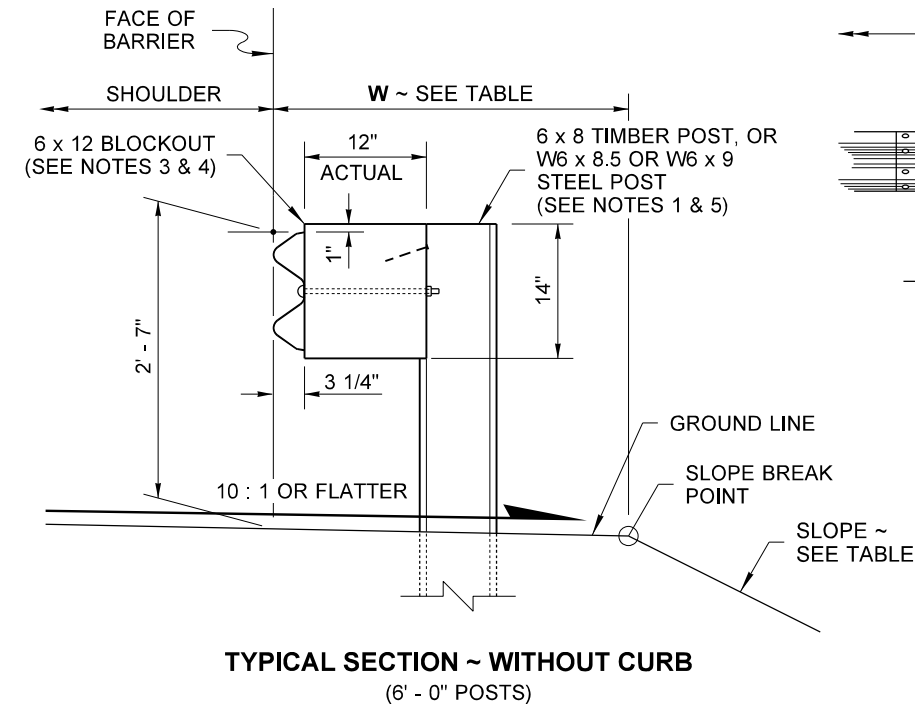
SHEET 1 OF 1 SHEET

APPROVED FOR PUBLICATION

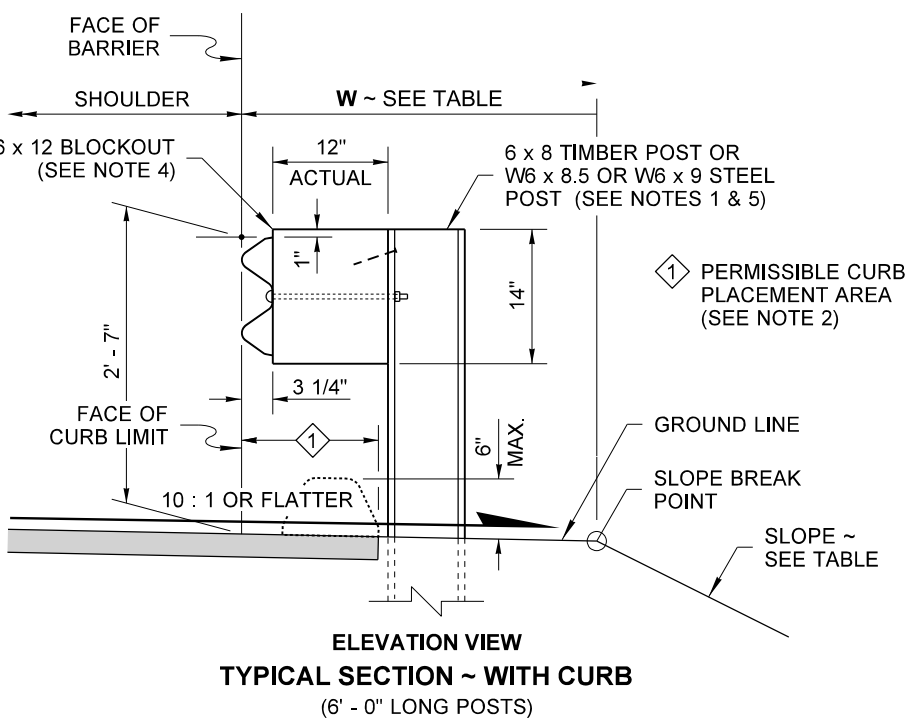
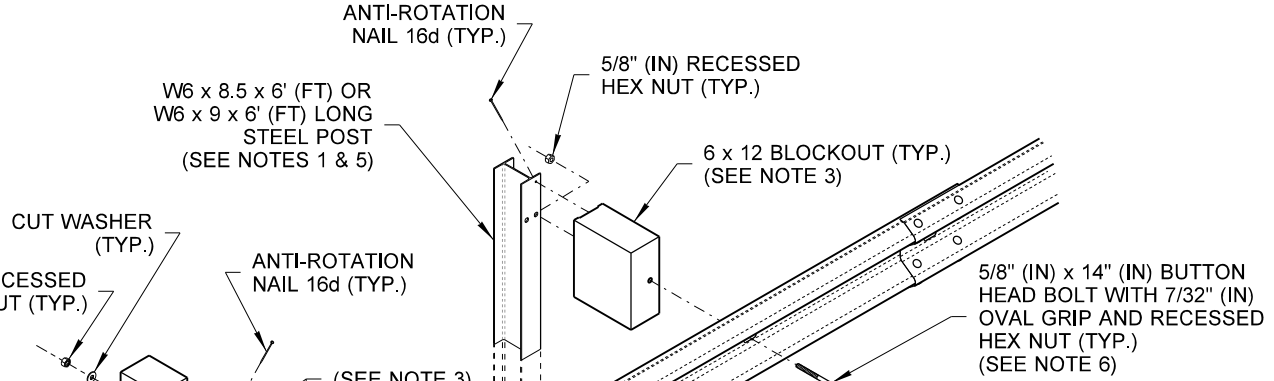
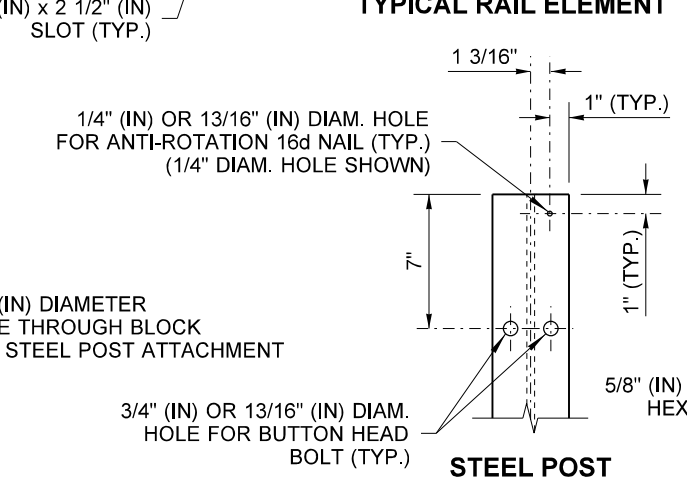
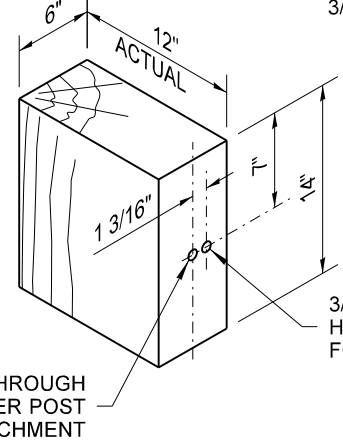
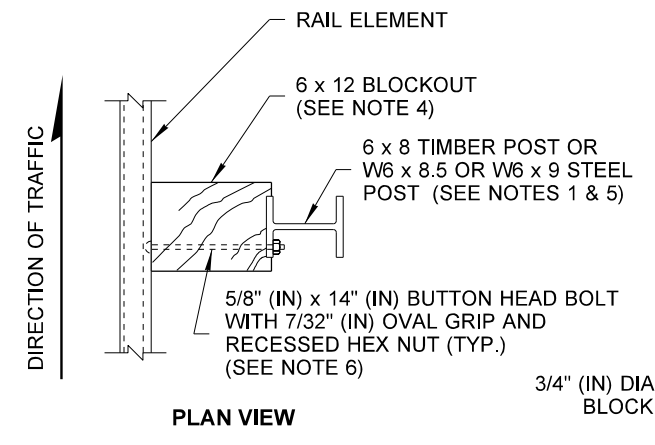
Pasco Bakotich III 06-16-11
STATE DESIGN ENGINEER DATE



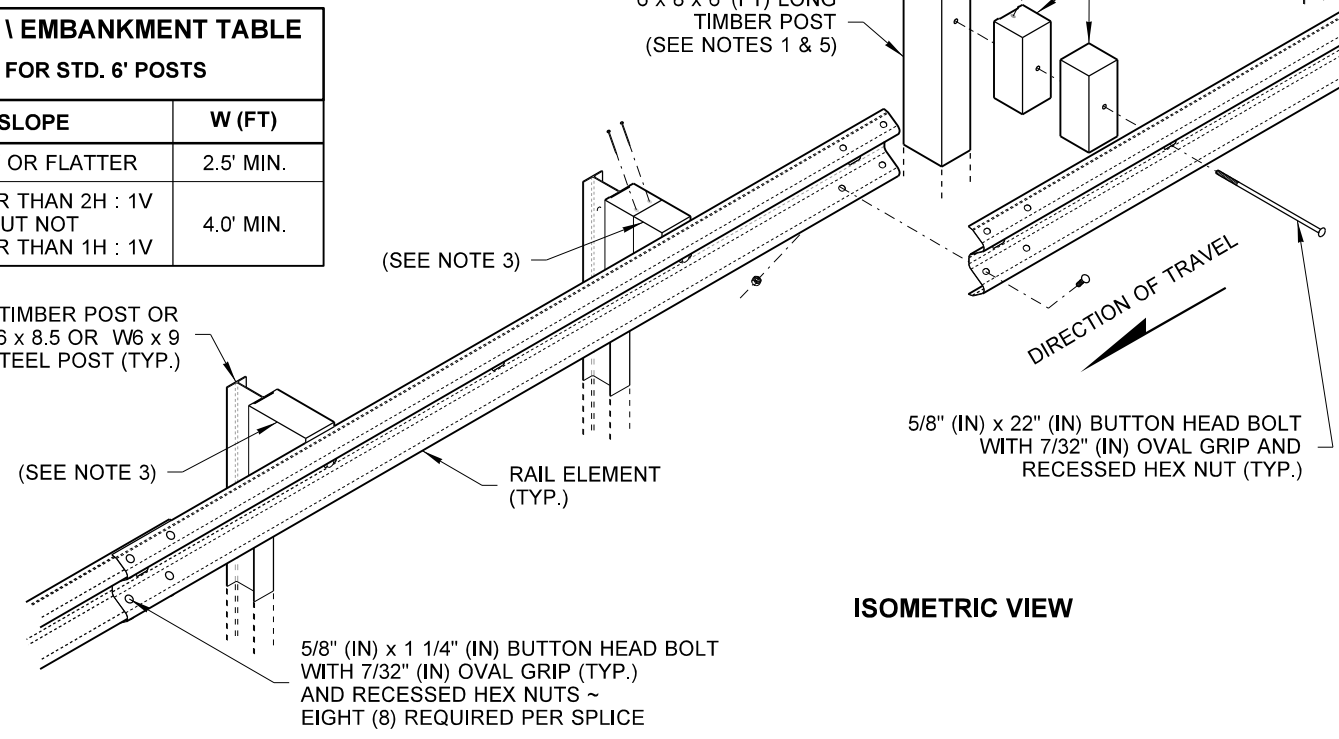
DRAWN BY: FERN LIDDELL



- NOTES**
1. Refer to **Standard Plan C-1b** and **C-20.11** for additional details not shown on this plan.
 2. Extend shoulder pavement to provide a base for the extruded curb. See Contract Plans for exceptions to distances shown.
 3. Use a single block or combination of blocks (no more than two (2) to achieve the actual 12" (in) offset. See **Standard Specification, Section 9-16.3(2)**. Wood blocks shall be secured to the posts with anti-rotation nails. If combination blocks are used, the adjacent blocks shall be toenailed with two 16d galvanized nails to prevent block rotation.
 4. Wood blocks are shown. Blocks of an approved alternative material may be used. See **Standard Specification, Section 9-16.3(2)**.
 5. All posts for any standard barrier run shall be of the same type: timber or steel.
 6. Attach blockouts to steel posts using bolt holes on approaching traffic side of post web.

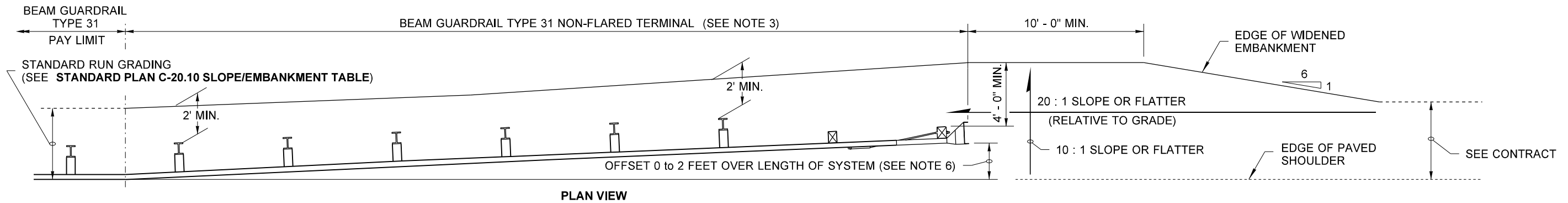


SLOPE \ EMBANKMENT TABLE FOR STD. 6' POSTS	
SLOPE	W (FT)
2H : 1V OR FLATTER	2.5' MIN.
STEEPER THAN 2H : 1V BUT NOT STEEPER THAN 1H : 1V	4.0' MIN.

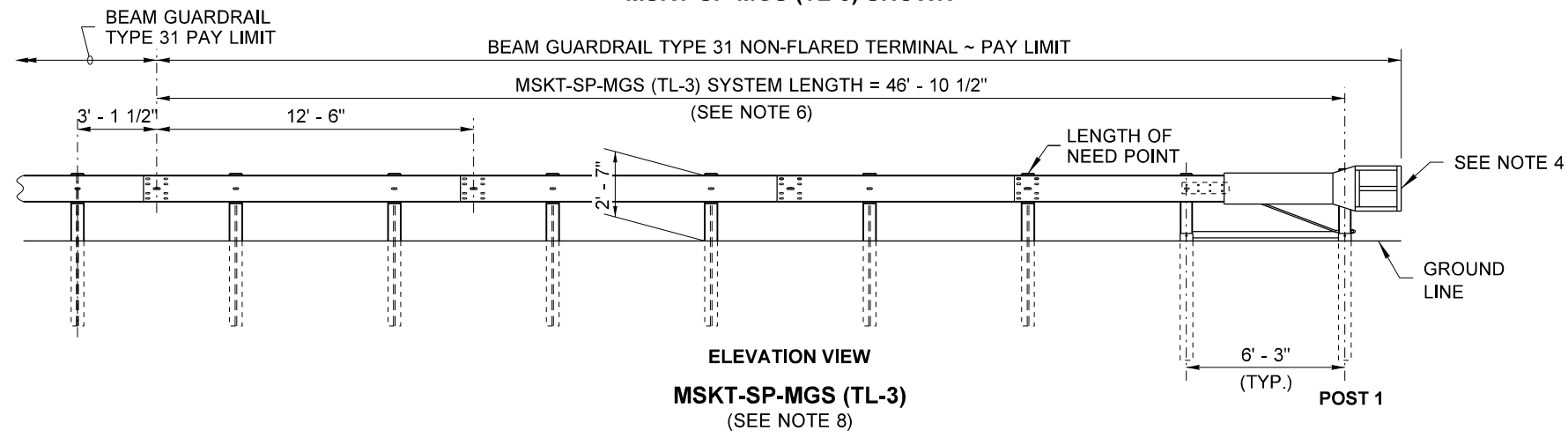


BEAM GUARDRAIL TYPE 31
STANDARD PLAN C-20.10-05

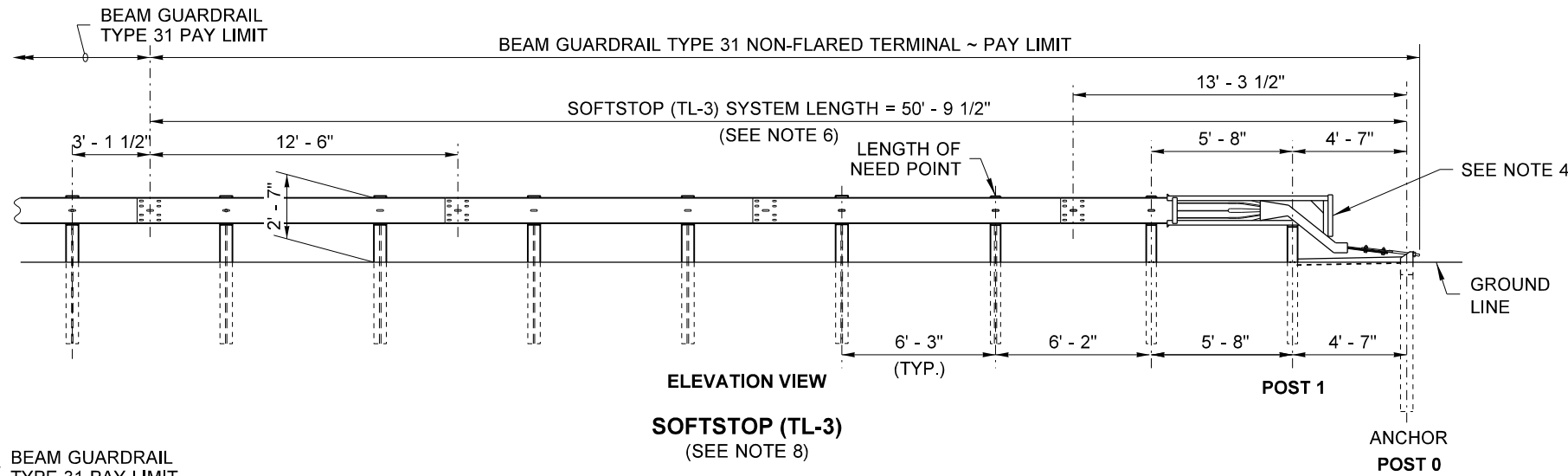
DRAWN BY: FERN LIDDELL



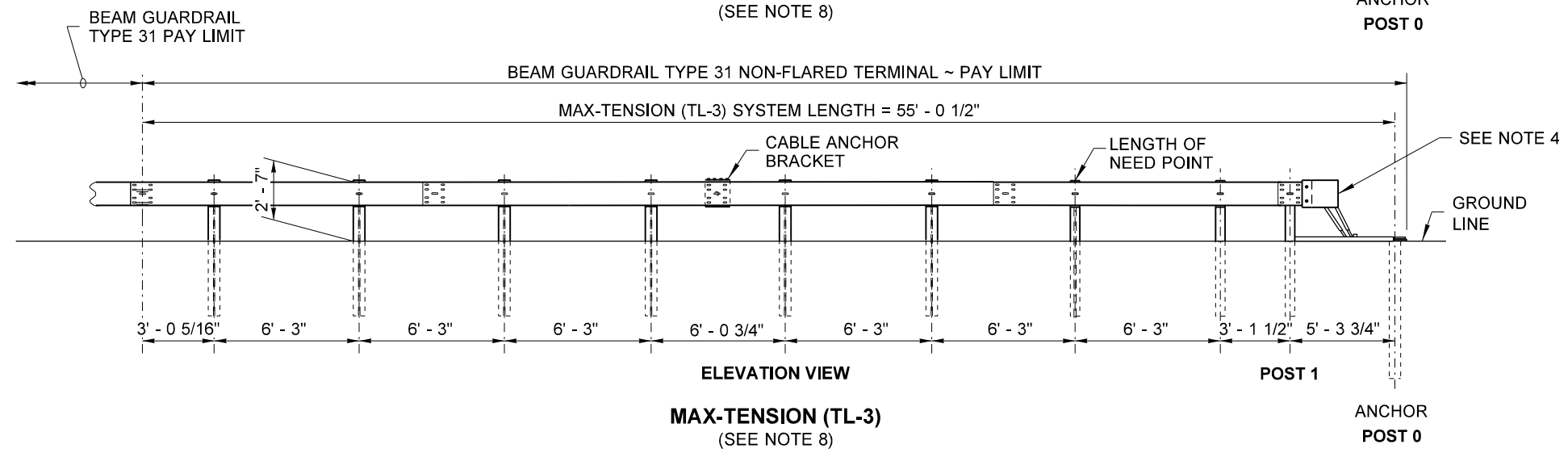
MSKT-SP-MGS (TL-3) SHOWN



MSKT-SP-MGS (TL-3)
(SEE NOTE 8)



SOFTSTOP (TL-3)
(SEE NOTE 8)



MAX-TENSION (TL-3)
(SEE NOTE 8)

NOTES

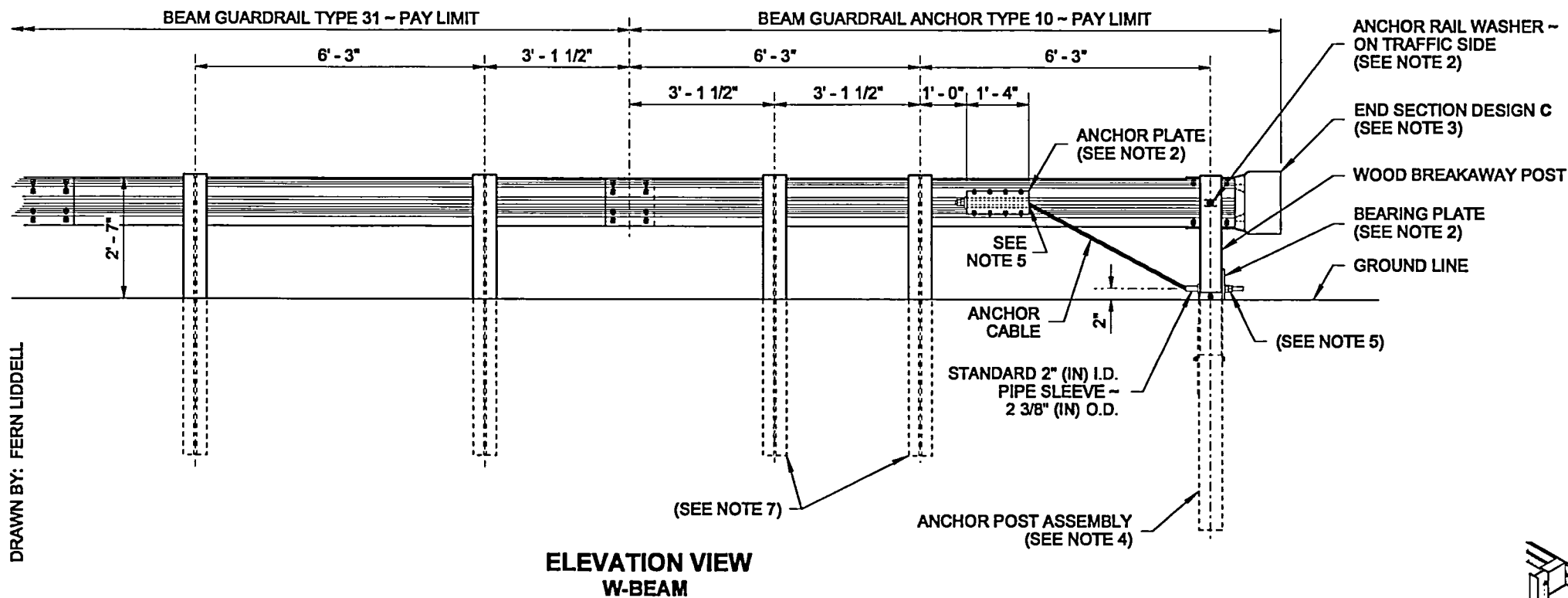
1. The Implementation of the Manual for Assessment of Safety Hardware (MASH) criteria may result in the acceptance of guardrail terminal systems currently not shown on this plan. Non-Flared terminals shall be selected from the WSDOT Qualified Products List (QPL) or approved through the WSDOT Request for Approval of Materials (RAM) process.
2. This terminal is MASH compliant at Test Level Three (TL-3) and may be used for all posted speeds.
3. An MSKT-SP-MGS (TL-3) as manufactured by Road Systems, Inc, SOFTSTOP (TL-3) as manufactured by Trinity Highway Products, LLC, or MAX-TENSION (TL-3) as manufactured by Lindsay Transportation Solutions, shall be installed according to manufacturer's recommendations.
4. A reflectorized object marker shall be installed according to manufacturer's recommendations.
5. Snow load rail washers shall not be installed within the terminal limits.
6. Provide an offset between 0 to 2 feet so that the impact head does not encroach onto the paved shoulder. The offset is provided over the length of the terminal system from the center of the last post splice to either:
(1) The face of the impact head at its leading edge (MSKT-SP-MGS), or
(2) The center of Anchor **Post 0** (Softstop or Max-Tension). Provide maximum offset where practicable.
7. For terminal details, see WSDOT approved manufacturer's drawings.
8. These terminals are supplied with steel posts only. They can be used with beam guardrail Type 31 runs composed of steel or wood guardrail posts.



**BEAM GUARDRAIL TYPE 31
NON-FLARED TERMINAL
(ALL POSTED SPEEDS)
STANDARD PLAN C-22.40-07**

SHEET 1 OF 1 SHEET

APPROVED FOR PUBLICATION

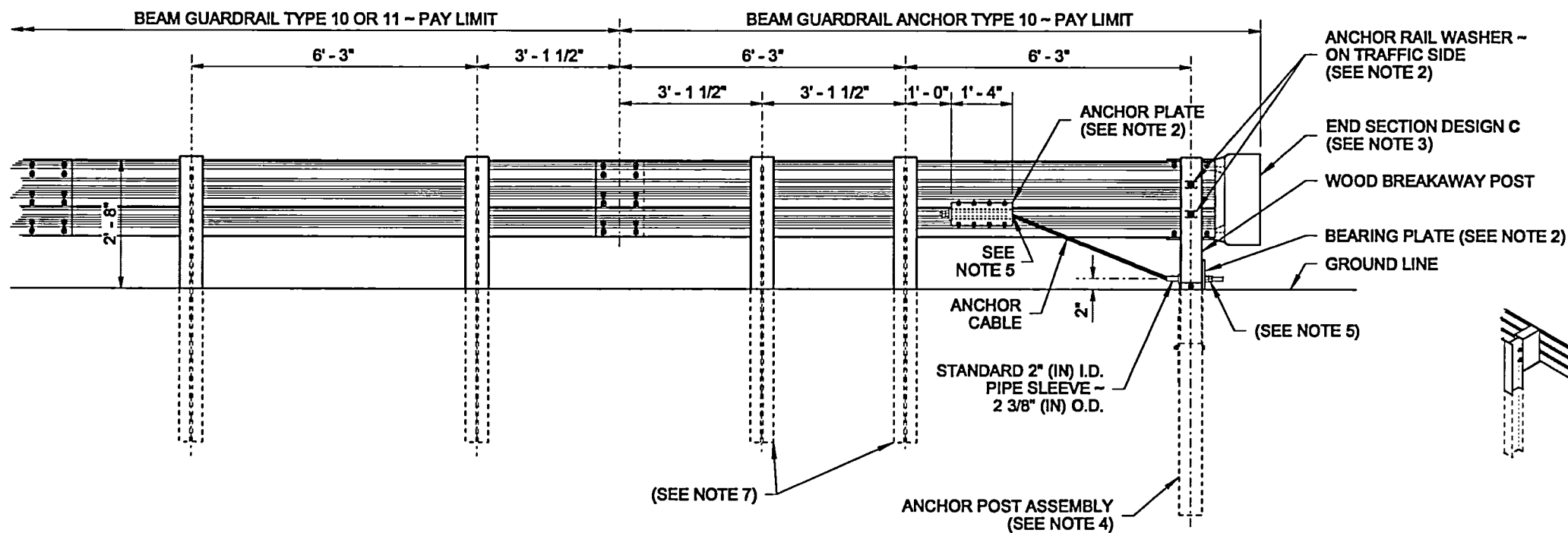


**ELEVATION VIEW
W-BEAM**

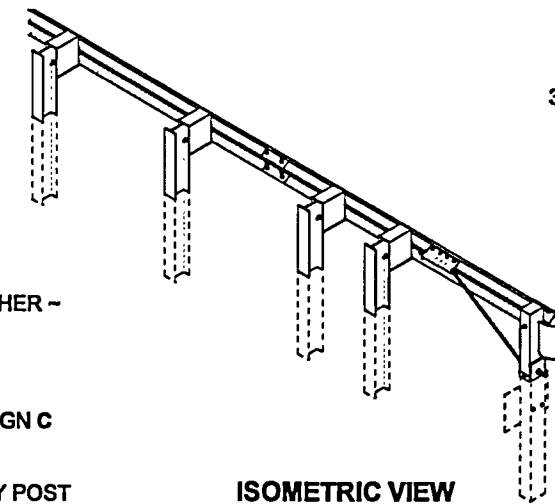
NOTES

1. For use on the end of guardrail runs when a crashworthy terminal is not required.
2. For additional details not shown, see **Sheet 2** of this Plan.
3. For end section details, see **Standard Plans C-7** and **C-7a**.
4. Use details for Wood Breakaway post shown on this plan and components shown on **Standard Plan C-1b**.
5. Fasten the Anchor Cable using two 1" (in) nuts and washer, at both ends of cable. Outside nut shall be torqued against inside nut a minimum of 100 ft.-lbs.
6. Wood blocks shown. Blocks of alternate material may be used. See **Standard Specification, Section 9-16.3(2)**.
7. Posts shall match those of the connecting run: timber or steel.
8. Anchor plate may be constructed from 1/4" (in) plates welded to equal strength and dimensions as shown.
9. Eight 5/8" (in) x 1/2" (in) machine bolts with hex nut and washer. Place washer on face side of rail.

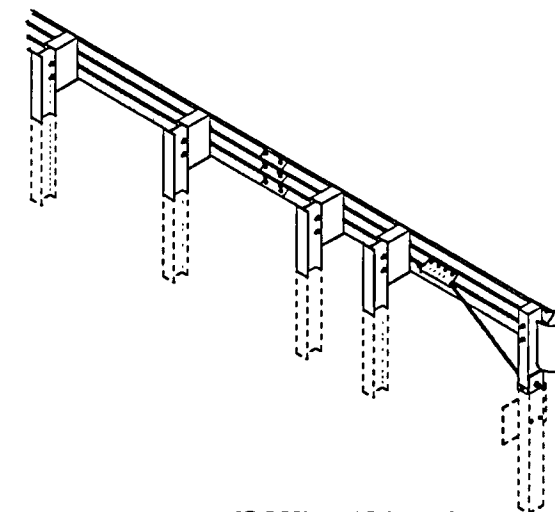
DRAWN BY: FERN LIDDELL



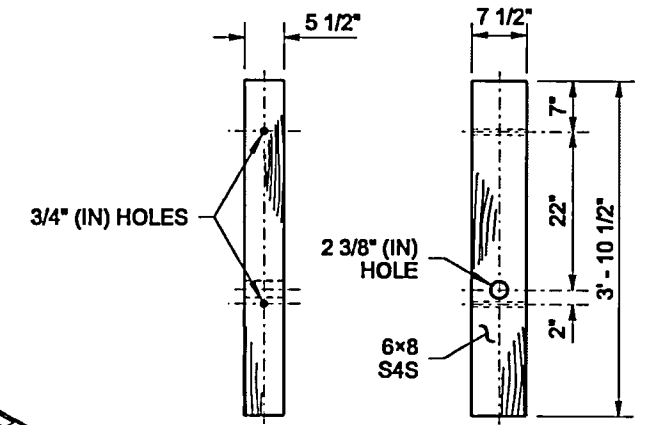
**ELEVATION VIEW
THRIE BEAM**



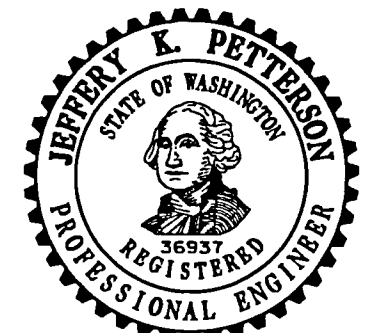
ISOMETRIC VIEW



ISOMETRIC VIEW



**WOOD BREAKAWAY
POST DETAIL**



Petterson, Jeff (IIQ Design)
Jul 6 2017 3:15 PM

**BEAM GUARDRAIL (TYPE 31)
ANCHOR TYPE 10**

STANDARD PLAN C-23.60-04

SHEET 1 OF 2 SHEETS

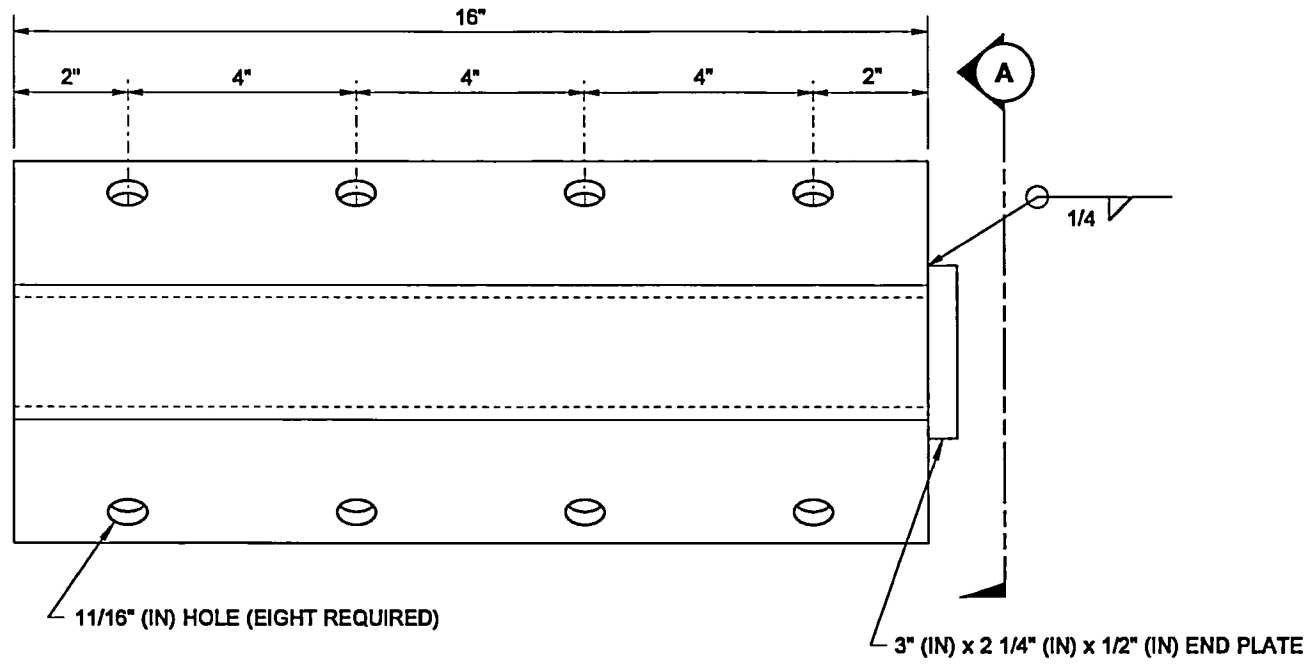
APPROVED FOR PUBLICATION

Jeff Petterson
Carpenter, Jeff
Jul 21 2017 8:25 AM

STATE DESIGN ENGINEER

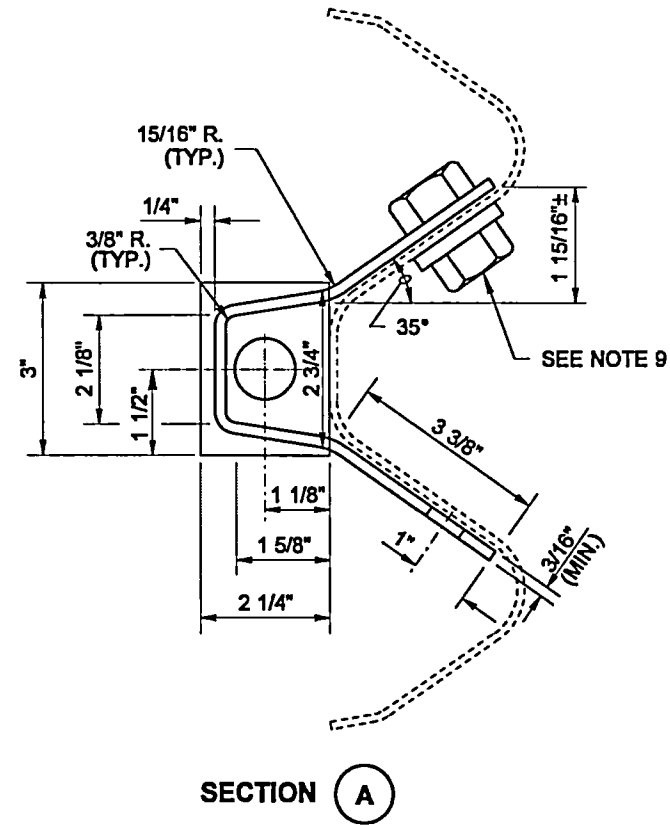


DRAWN BY: FERN LIDDELL

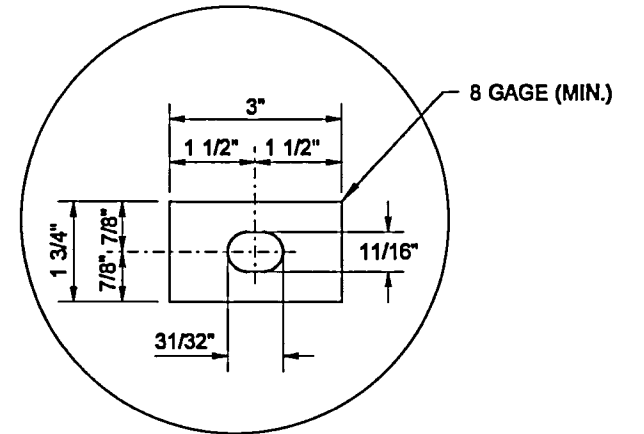


ELEVATION

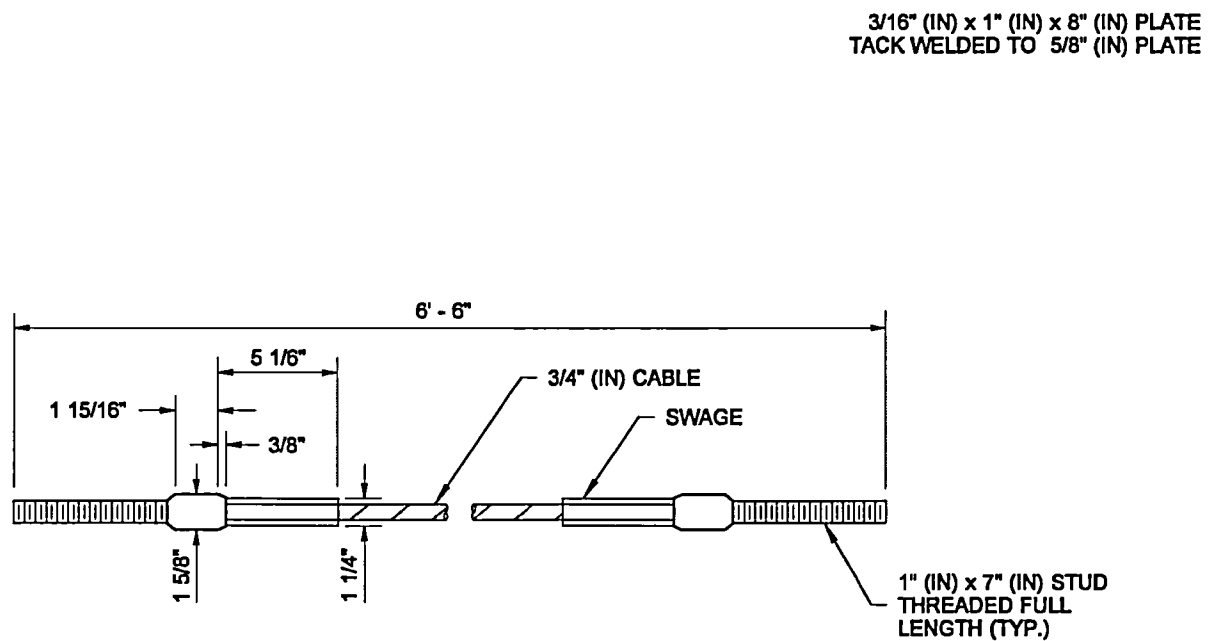
ANCHOR PLATE
(SEE NOTE 8)



SECTION A

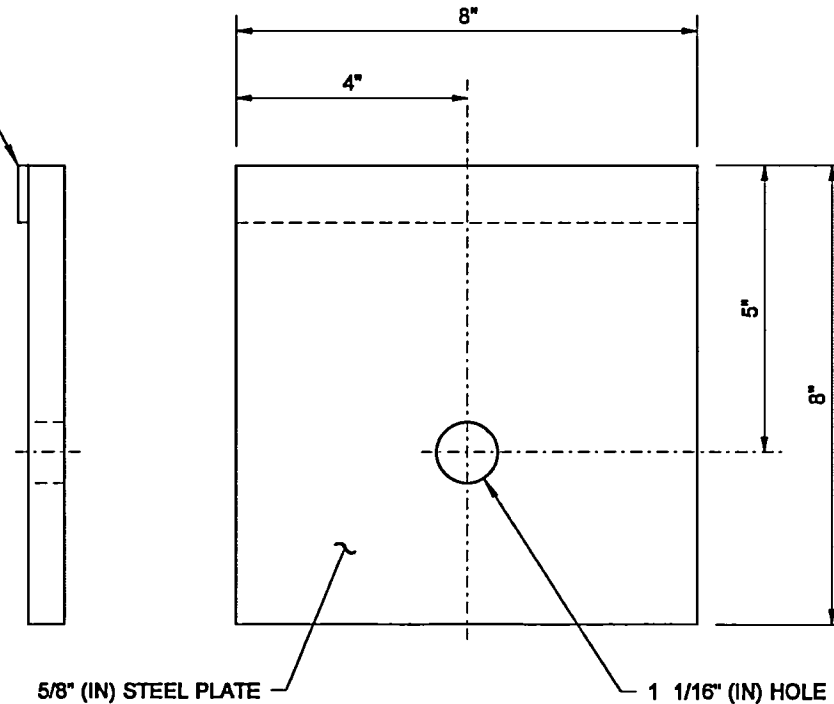


ANCHOR RAIL WASHER

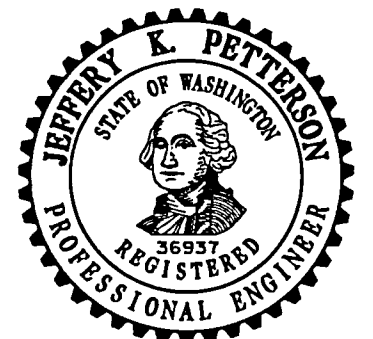


ANCHOR CABLE

3/16" (IN) x 1" (IN) x 8" (IN) PLATE
TACK WELDED TO 5/8" (IN) PLATE



BEARING PLATE



Petterson, Jeff (HQ Design)
Jul 6 2017 3:15 PM

**BEAM GUARDRAIL (TYPE 31)
ANCHOR TYPE 10**

STANDARD PLAN C-23.60-04

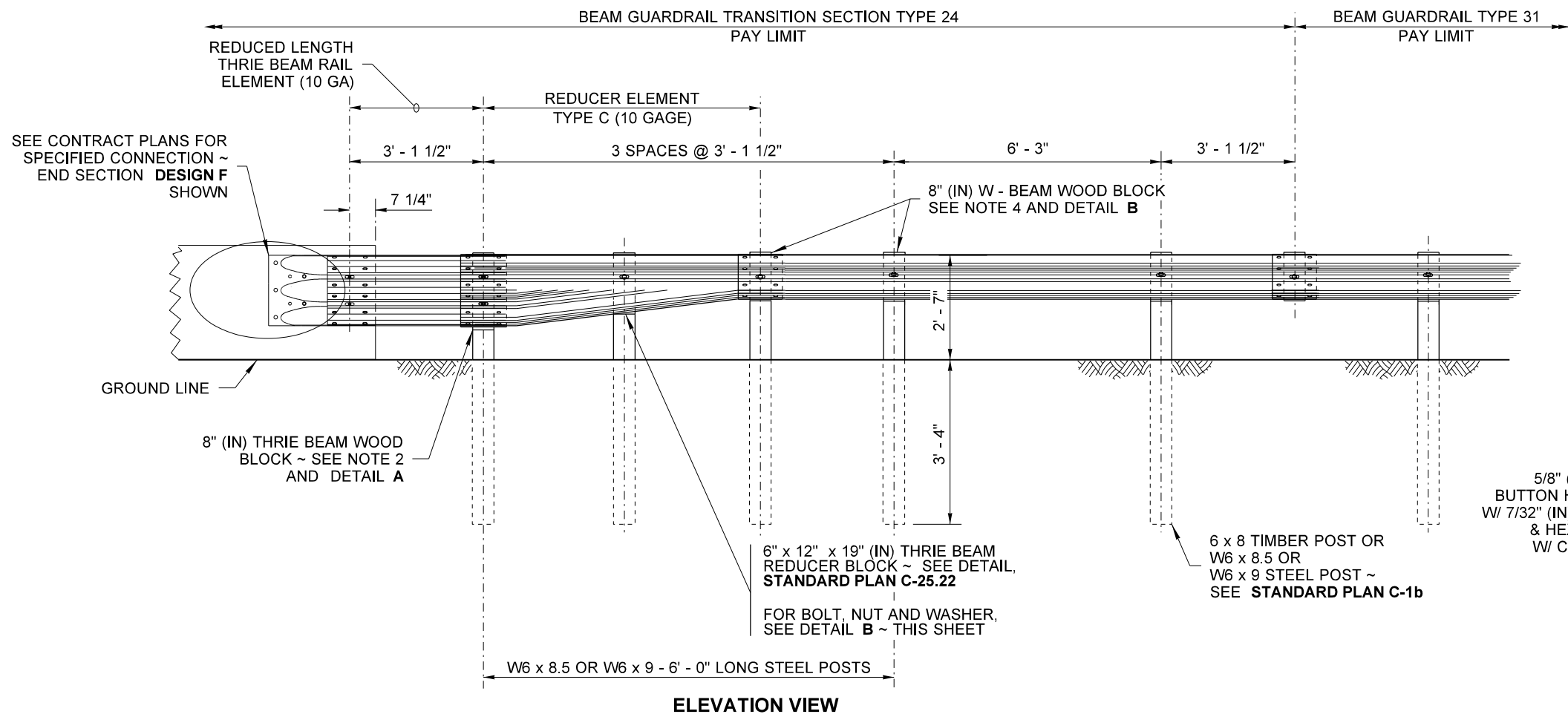
SHEET 2 OF 2 SHEETS

APPROVED FOR PUBLICATION

Carpenter, Jeff
Jul 21 2017 8:25 AM

STATE DESIGN ENGINEER

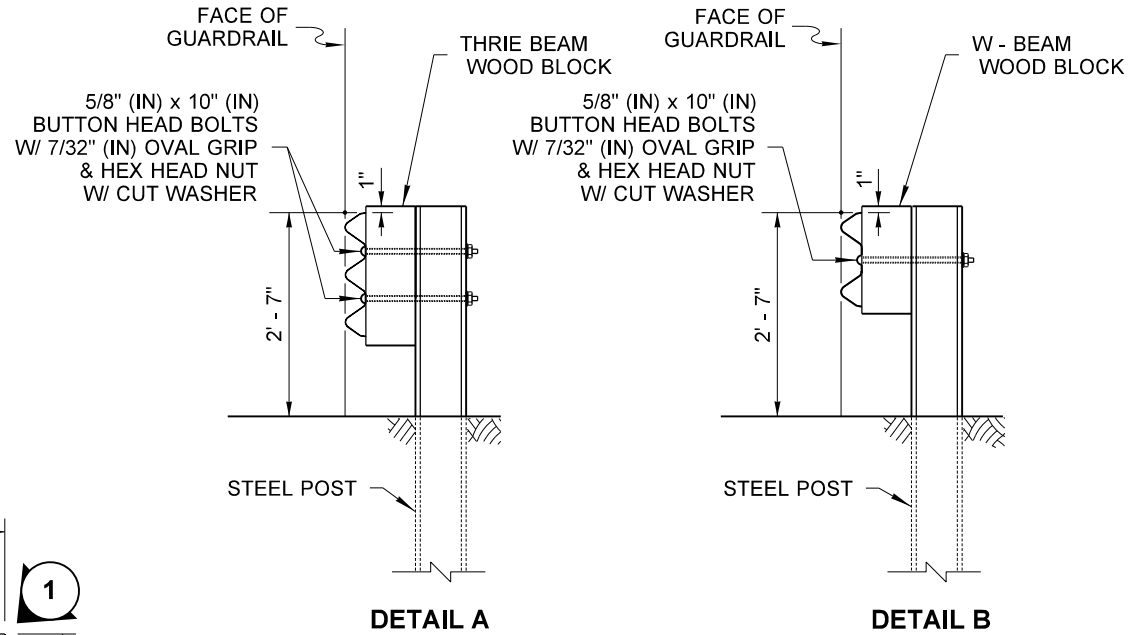




ELEVATION VIEW

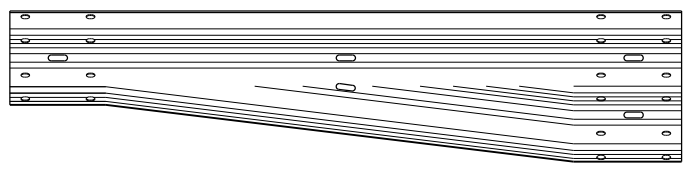
NOTES

1. This guardrail transition is for connection to a vertical concrete shape, a single slope, or a safety-shape barrier. The toe of the single slope and the safety-shape barrier shall be tapered or the barrier blocked out so that the toe of the barrier does not project beyond the face of the approach guardrail.
2. See **Standard Plan C-1b** for thrie beam wood block detail.
3. See **Standard Plan C-20.10** for typical components (nuts, washers and bolts) at splices.
4. See **Standard Plan C-1b** for W-Beam wood block detail.
5. All rail sections shall be lapped in the direction of traffic.
6. See **Standard Plan C-24.10** for details regarding connection to bridge rail or traffic barrier.

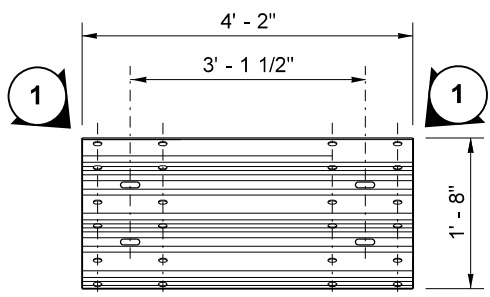


DETAIL A

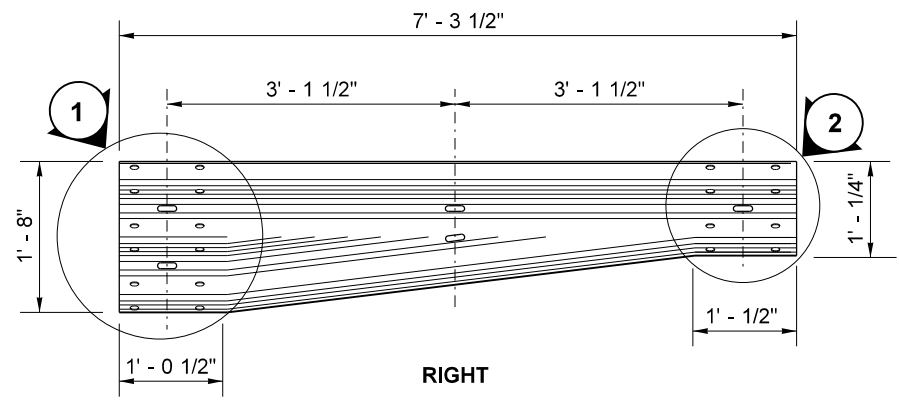
DETAIL B



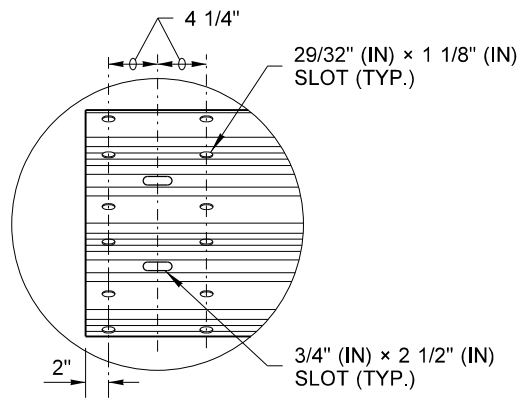
LEFT (MIRROR OF RIGHT)



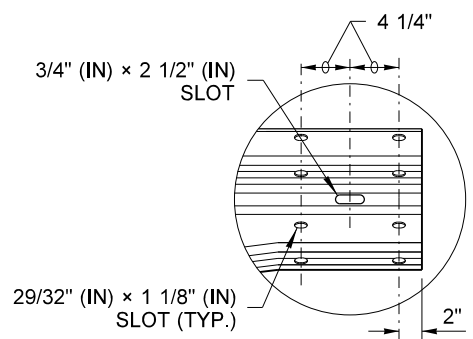
REDUCED LENGTH THRIE-BEAM RAIL ELEMENT 10 GAGE



RIGHT REDUCER ELEMENT TYPE C



DETAIL 1



DETAIL 2



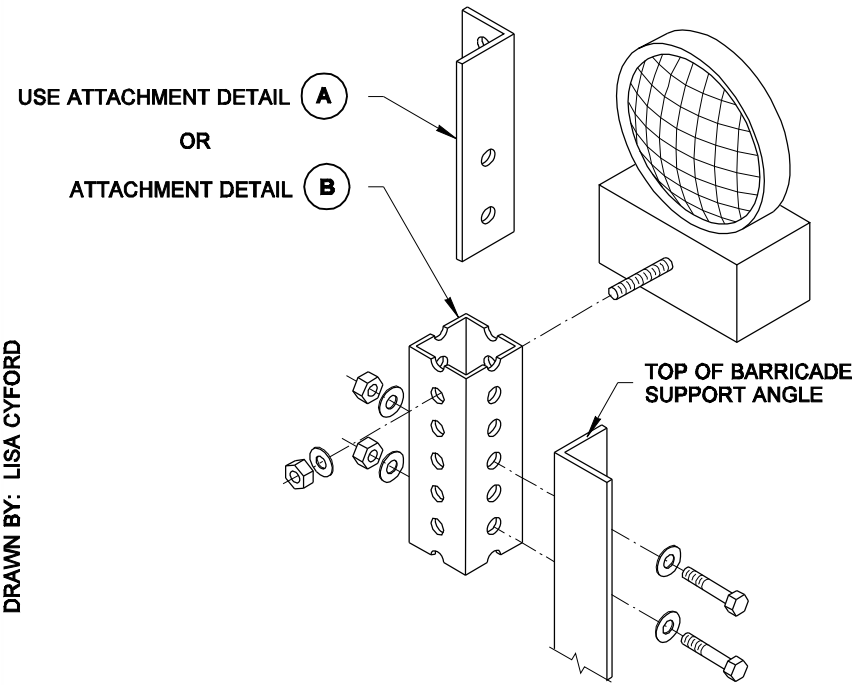
BEAM GUARDRAIL (TYPE 31) TRANSITION SECTION TYPE 24 (POSTED SPEED 45 MPH AND BELOW) STANDARD PLAN C-25.30-00

SHEET 1 OF 1 SHEET

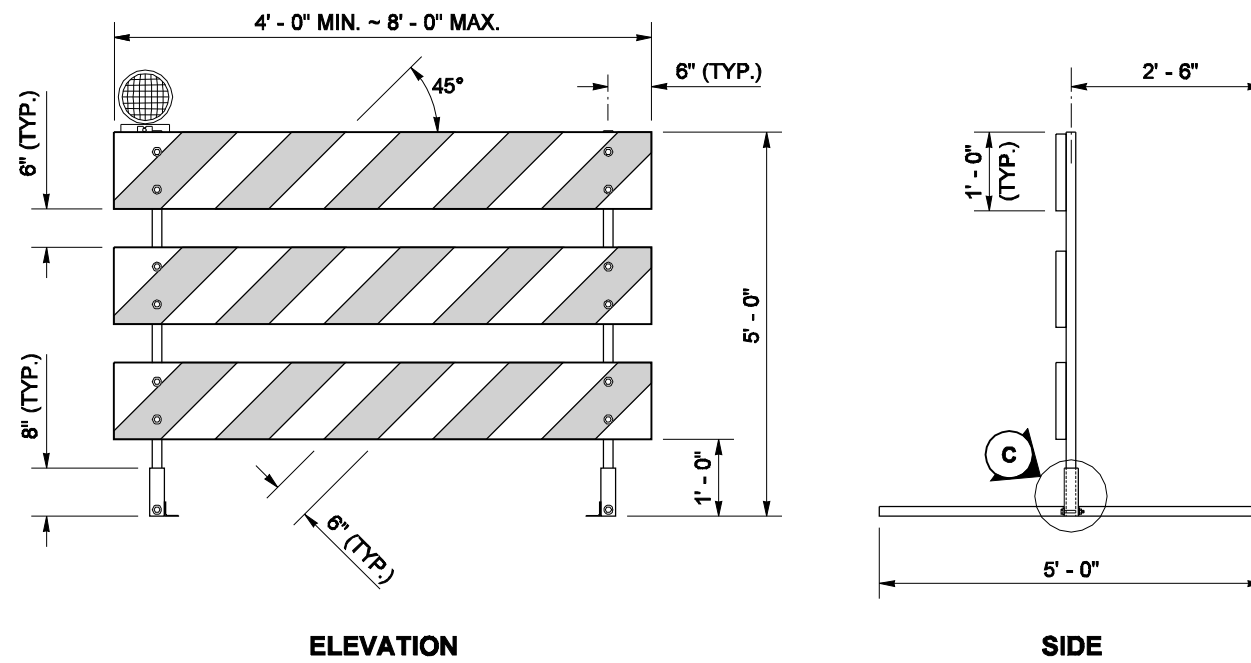
APPROVED FOR PUBLICATION

STATE DESIGN ENGINEER
 Washington State Department of Transportation

DRAWN BY: LISA CYFORD



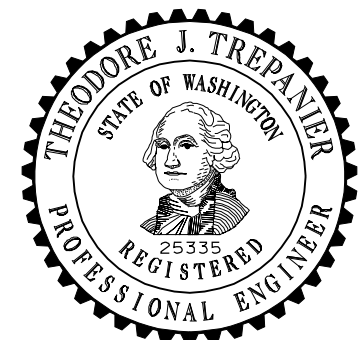
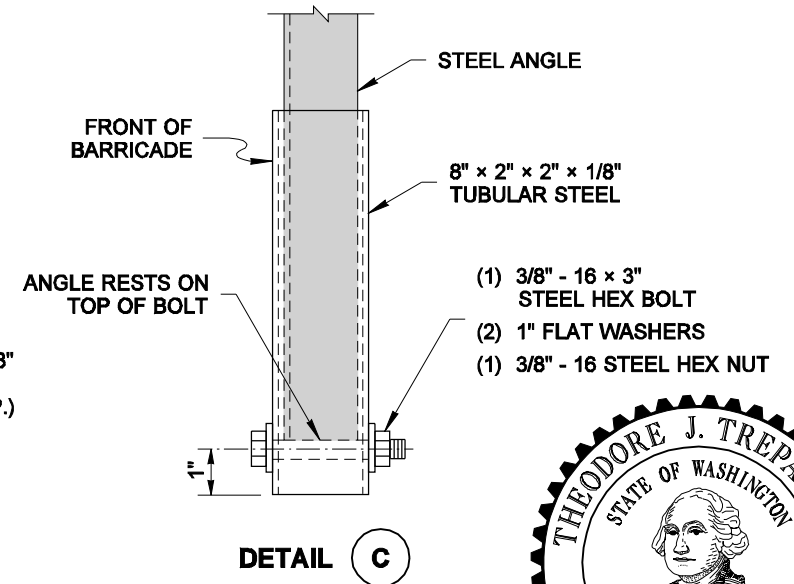
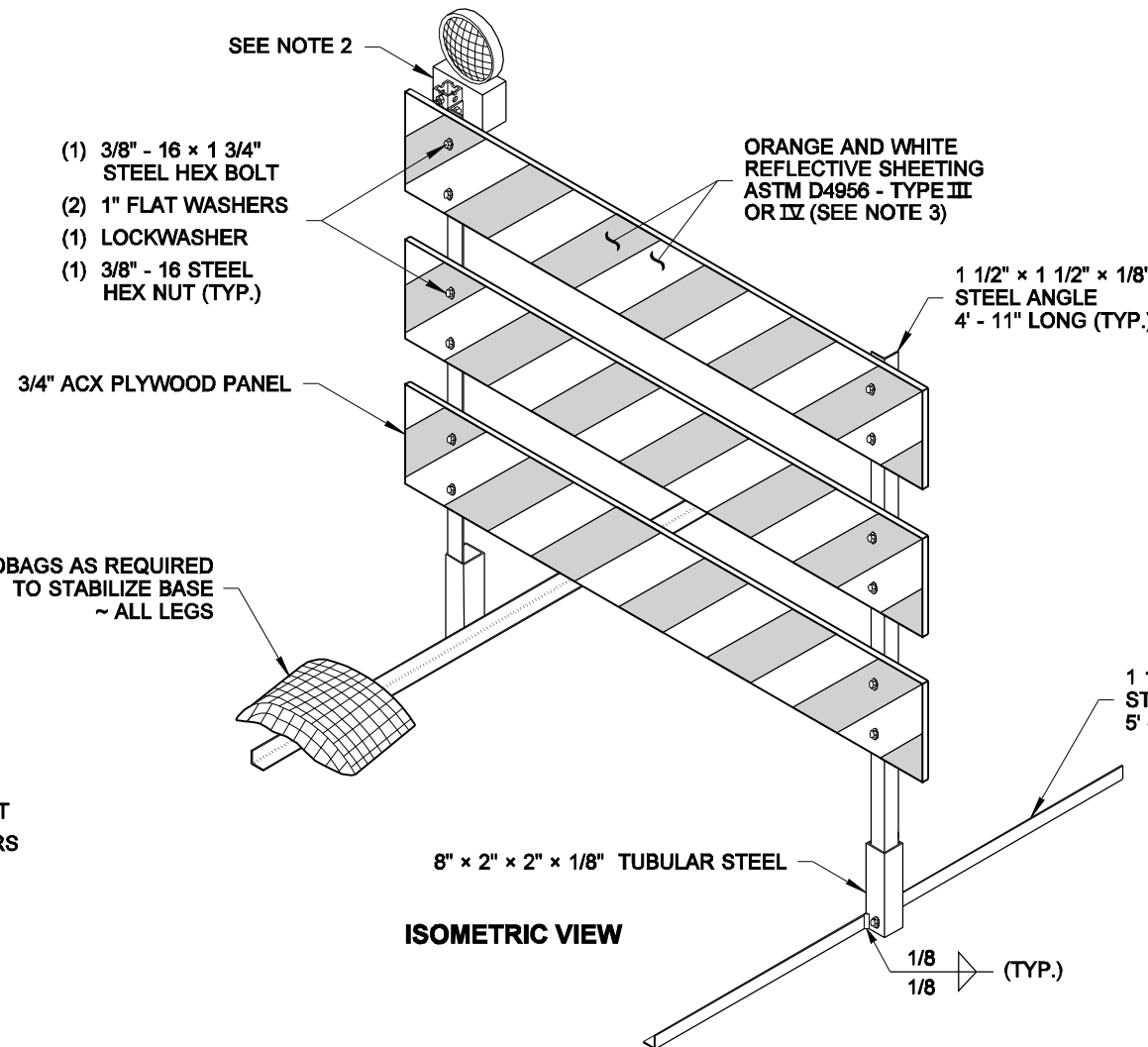
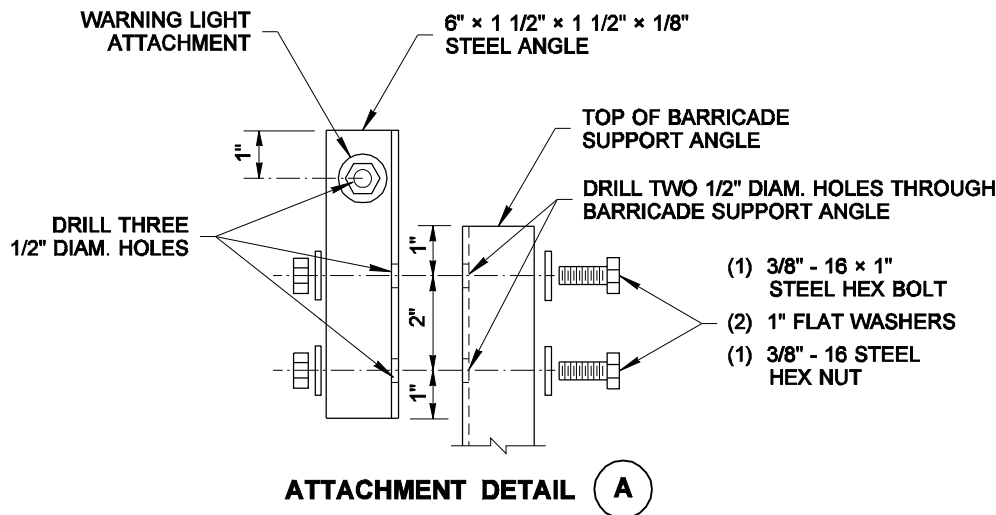
WARNING LIGHT ATTACHMENT DETAIL



TYPE 3 BARRICADE

NOTES

1. All fasteners may be zinc plated, galvanized or stainless steel. All steel angle and tubular steel shall be hot-rolled, high carbon steel, painted or galvanized.
2. Install one lightweight Type A Low-Intensity flashing warning light on the traffic side of the barricade. Install two Type A Low-Intensity flashing warning lights per barricade when the barricades are used to close a roadway. Attach the light to the barricade according to the light manufacturer's recommendations or use the details shown on this plan.
3. Stripes on barricade rails shall be alternating orange and white retroreflective stripes (sloping downward at an angle of 45 degrees in the direction traffic is to pass).
4. The Type 3 barricade design shown on this plan meets the crash test requirements of NCHRP 350. Alternative designs may be approved if they conform to the NCHRP 350 crash test criteria and the MUTCD.
5. When a sign is mounted on the barricade, it shall be securely bolted to at least two plywood panels. The top of the sign shall not be higher than the top panel of the barricade.
6. When sandbags are used in freezing weather, Urea fertilizer shall be mixed with the sand in a quantity to prevent the sand from freezing.

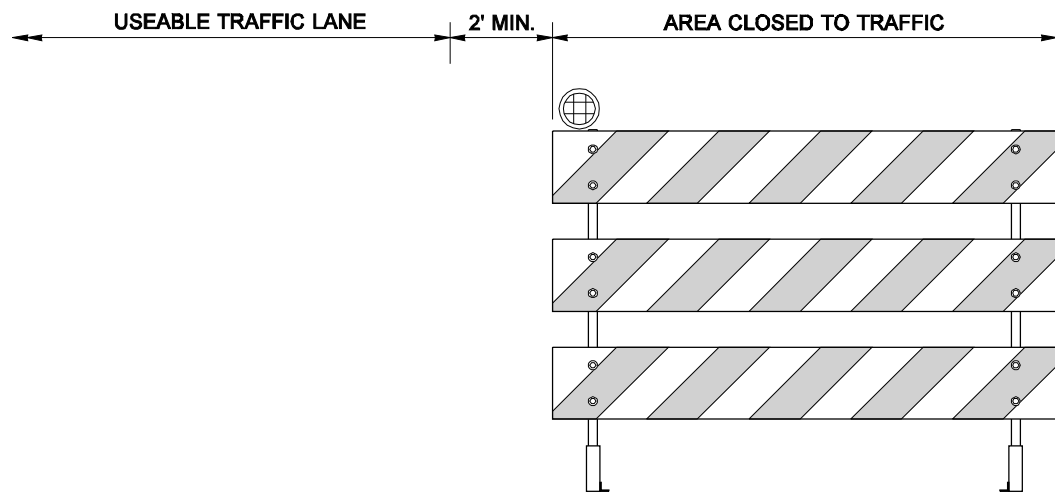


NOTE: THIS PLAN IS NOT A LEGAL ENGINEERING DOCUMENT UNTIL AN ELECTRONIC OR ORIGINAL COPY IS FILED AT THE WASHINGTON STATE DEPARTMENT OF TRANSPORTATION. A COPY MAY BE OBTAINED UPON REQUEST.

TYPE 3 BARRICADE
STANDARD PLAN K-80.20-00
SHEET 1 OF 2 SHEETS

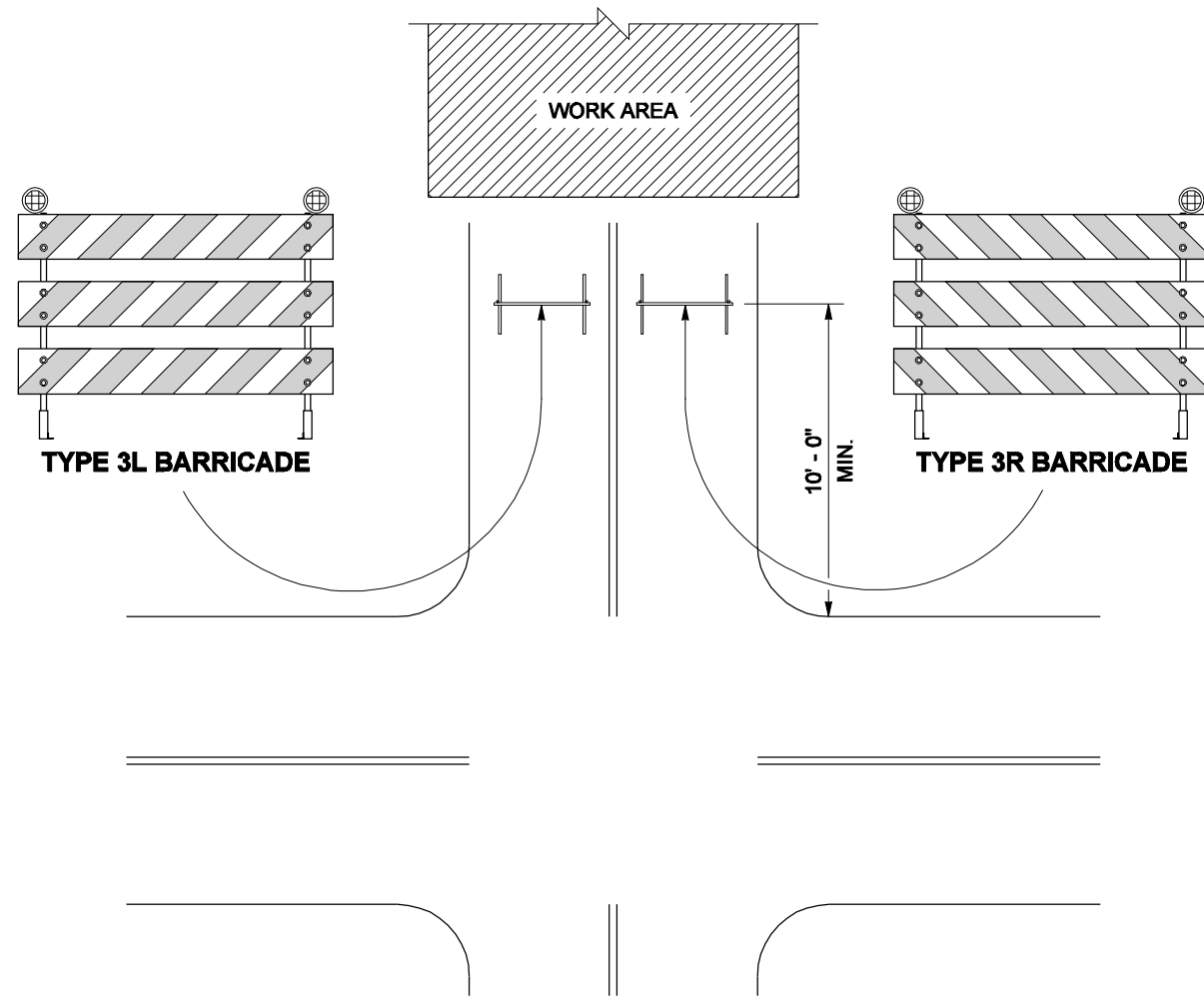
APPROVED FOR PUBLICATION
Kevin J. Dayton 12-20-06
STATE DESIGN ENGINEER DATE
Washington State Department of Transportation

DRAWN BY: LISA CYFORD

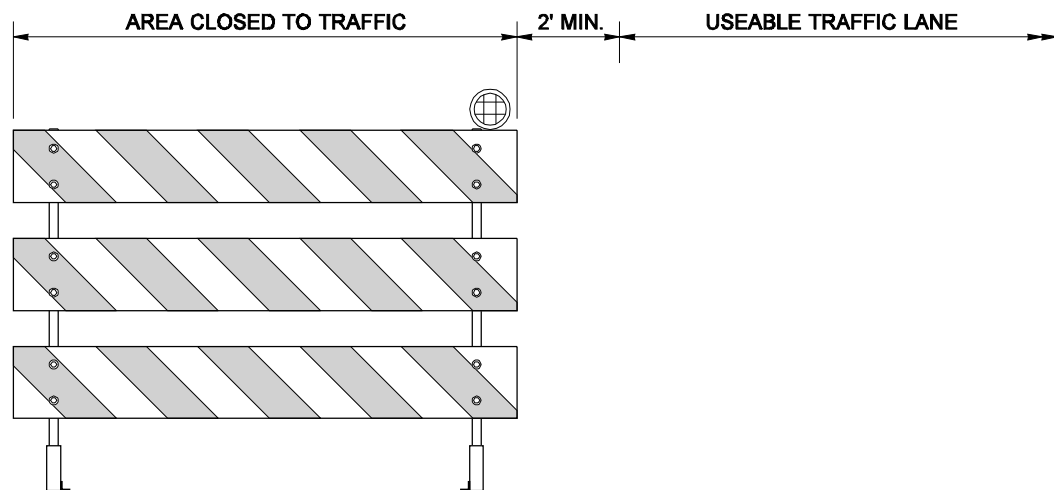


TYPE 3L BARRICADE

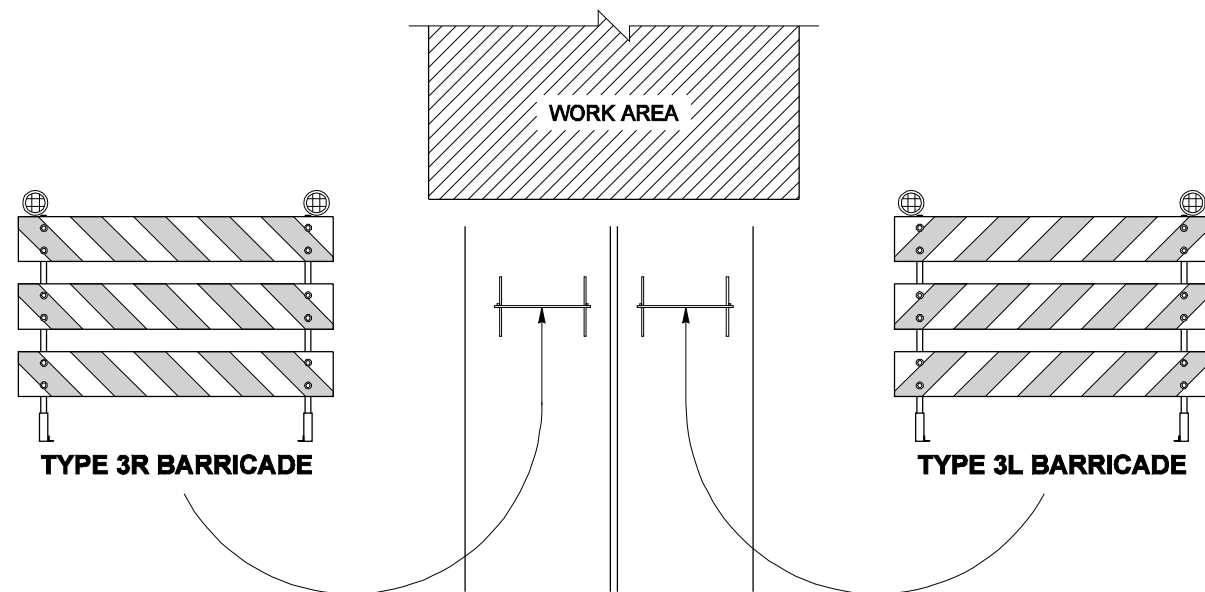
STRIPES ON THE BARRICADES SHALL SLOPE DOWNWARD IN THE DIRECTION TRAFFIC IS TO PASS



ROAD CLOSURE AT INTERSECTION

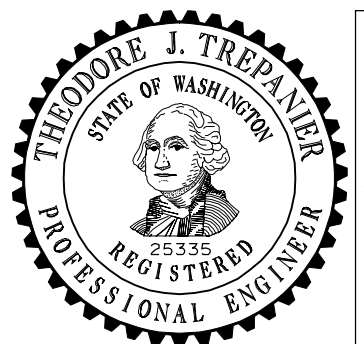


TYPE 3R BARRICADE



ROAD CLOSURE AT OTHER LOCATIONS

BARRICADE PLACEMENT



EXPIRES AUGUST 9, 2007

NOTE: THIS PLAN IS NOT A LEGAL ENGINEERING DOCUMENT UNTIL AN ELECTRONIC DIGITAL SIGNATURE IS APPLIED TO THE ORIGINAL. THE ORIGINAL, SIGNED BY THE ENGINEER AND APPROVED FOR PUBLICATION, IS KEPT ON FILE AT THE WASHINGTON STATE DEPARTMENT OF TRANSPORTATION. A COPY MAY BE OBTAINED UPON REQUEST.

TYPE 3 BARRICADE
STANDARD PLAN K-80.20-00

SHEET 2 OF 2 SHEETS

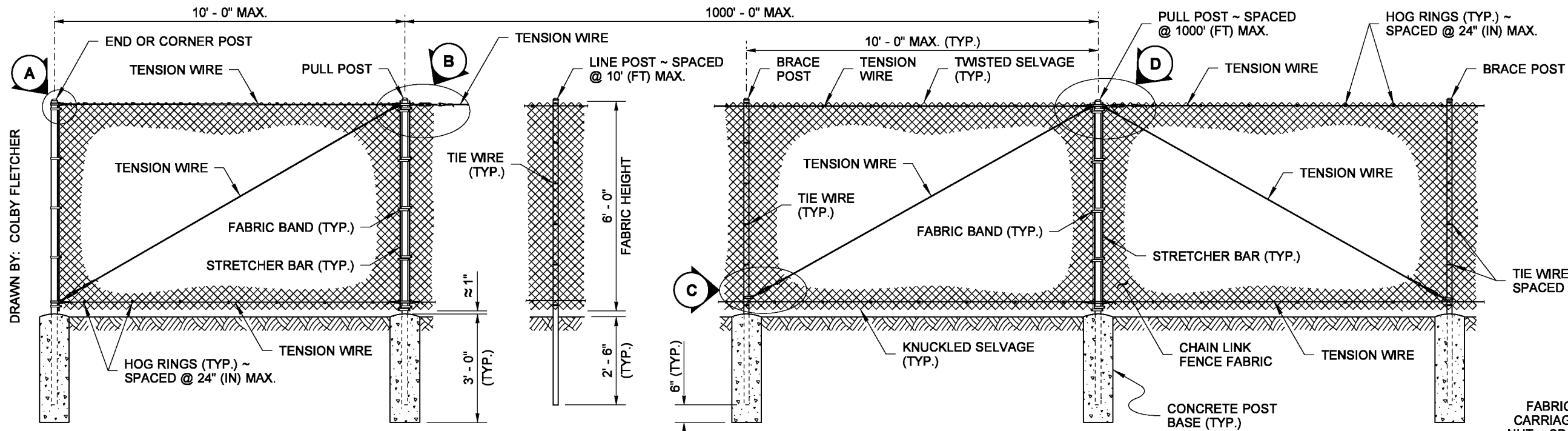
APPROVED FOR PUBLICATION

Kevin J. Dayton 12-20-06

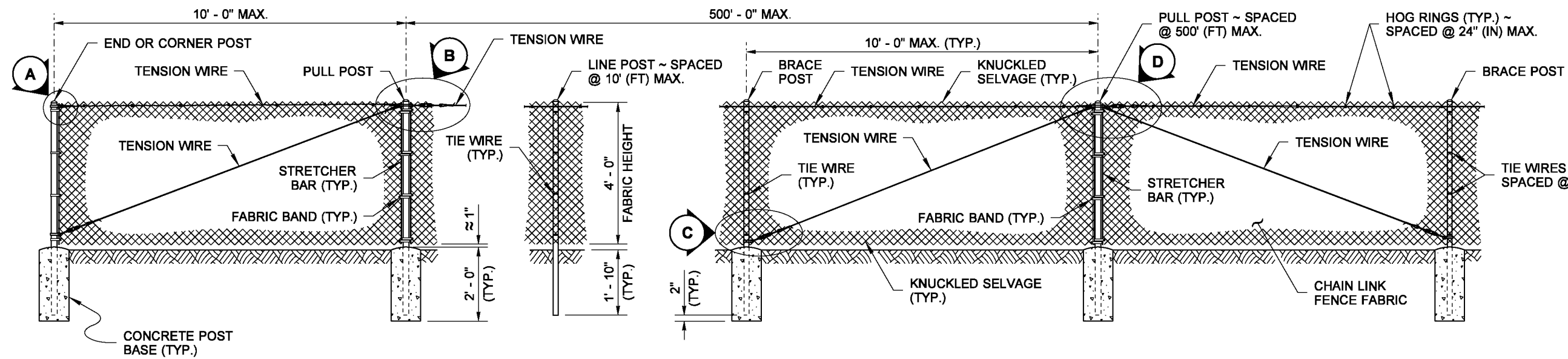
STATE DESIGN ENGINEER DATE



Washington State Department of Transportation



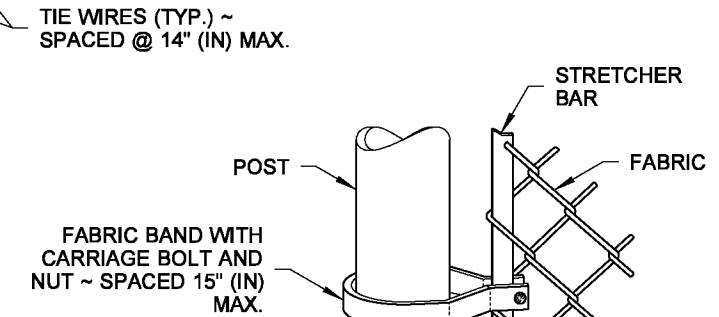
TYPE 3



TYPE 4

NOTES

1. All concrete post bases shall be 10" (in) minimum diameter.
2. Along the top and bottom, using Hog Rings, fasten the Chain Link Fence Fabric to the Tension Wire within the limits of the first full fabric weave.
3. Details are illustrative and shall not limit hardware design or post selection of any particular fence type.
4. Fencing shall be used for security and boundary delineation only.



METHOD OF FASTENING STRETCHER BAR TO POST

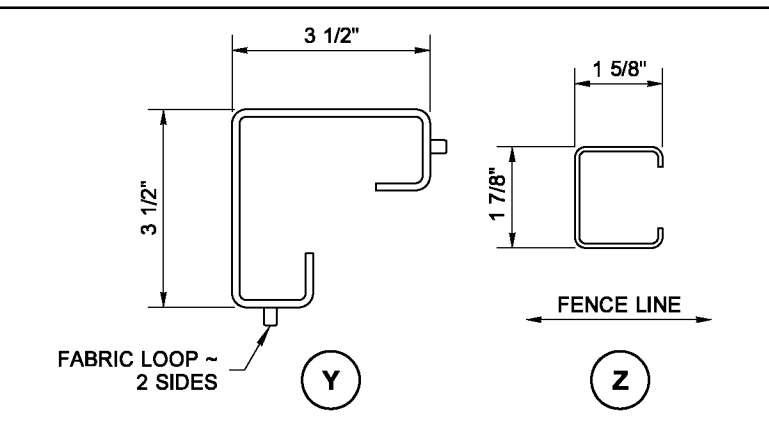


**CHAIN LINK FENCE
TYPES 3 AND 4
STANDARD PLAN L-20.10-03**

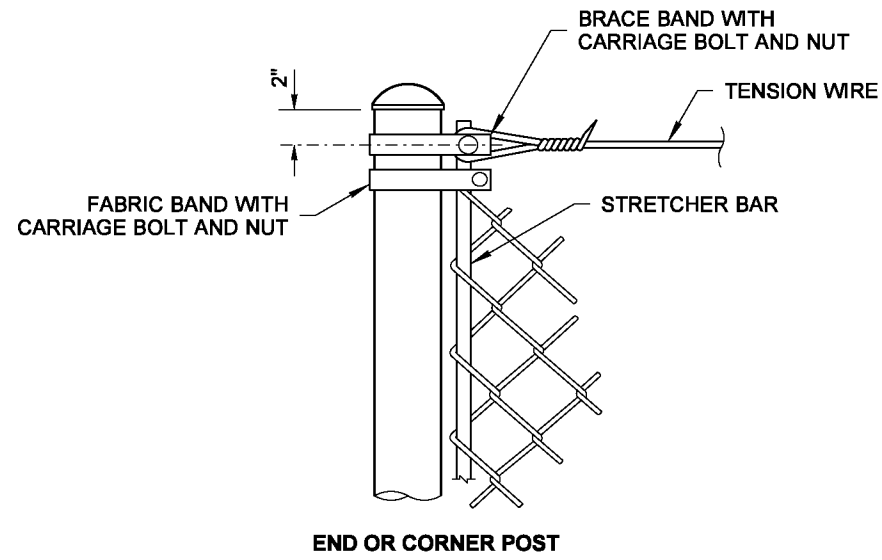
SHEET 1 OF 2 SHEETS

APPROVED FOR PUBLICATION

POST AND RAIL SPECIFICATIONS			
POST	PIPE	ROLL FORMED	
	NOM. SIZE (SCH. 40) I.D.	SECTION	WEIGHT (lb/ft)
END, CORNER, OR PULL POST	2 1/2" DIAM.	(Y)	5.10
LINE OR BRACE POST	2" DIAM.	(Z)	1.85

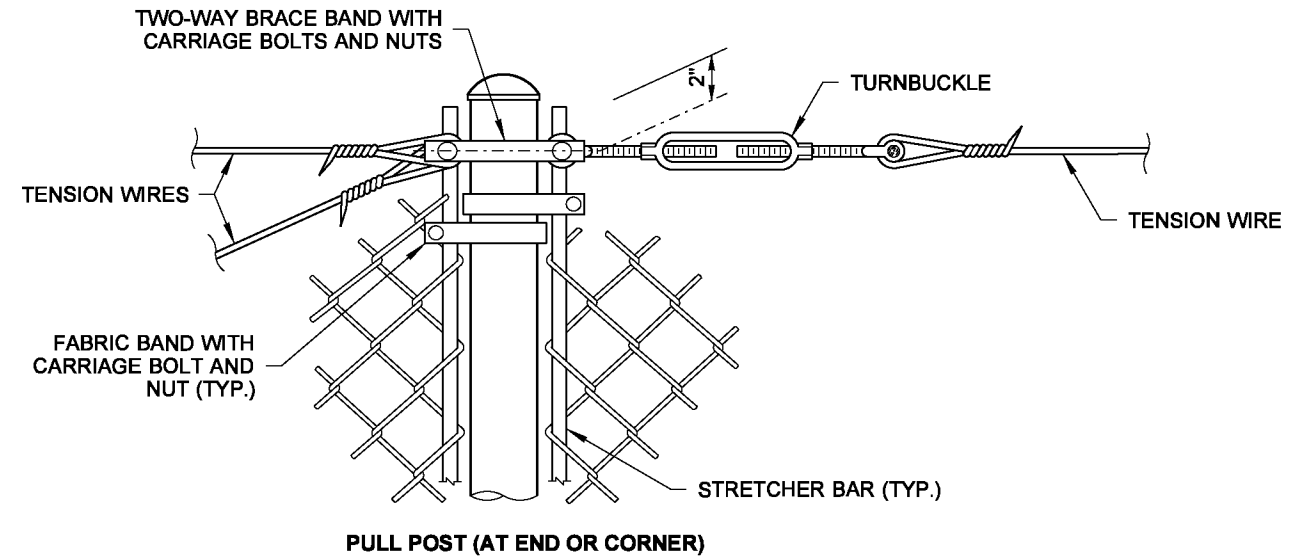


DRAWN BY: COLBY FLETCHER



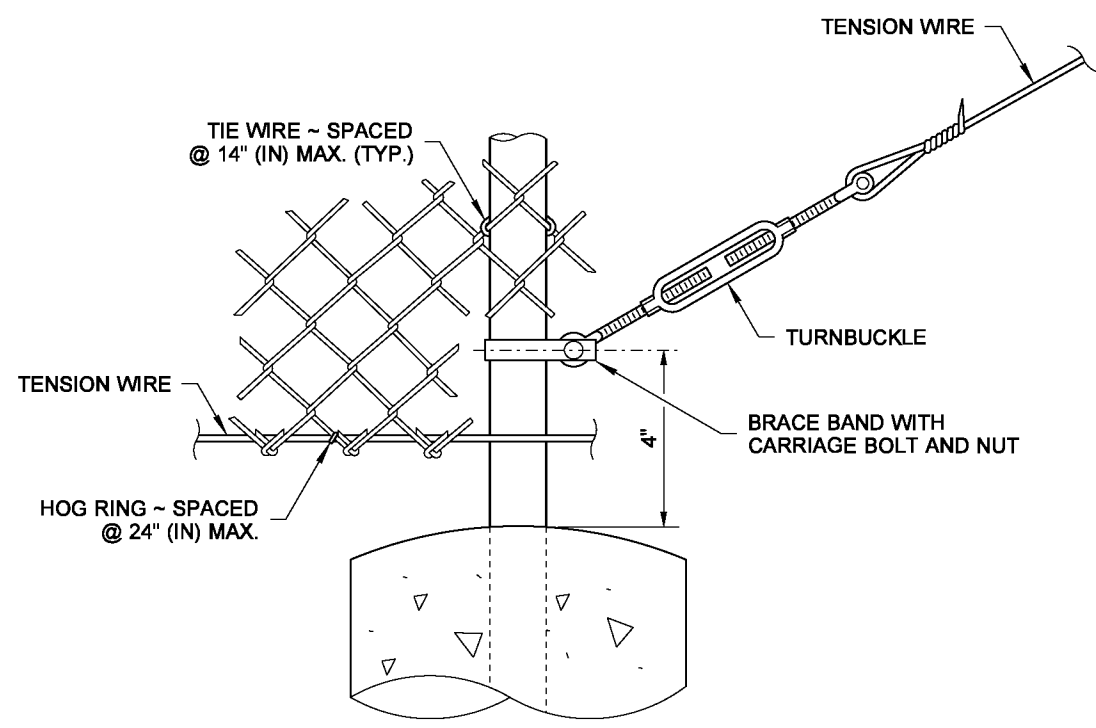
END OR CORNER POST

DETAIL A



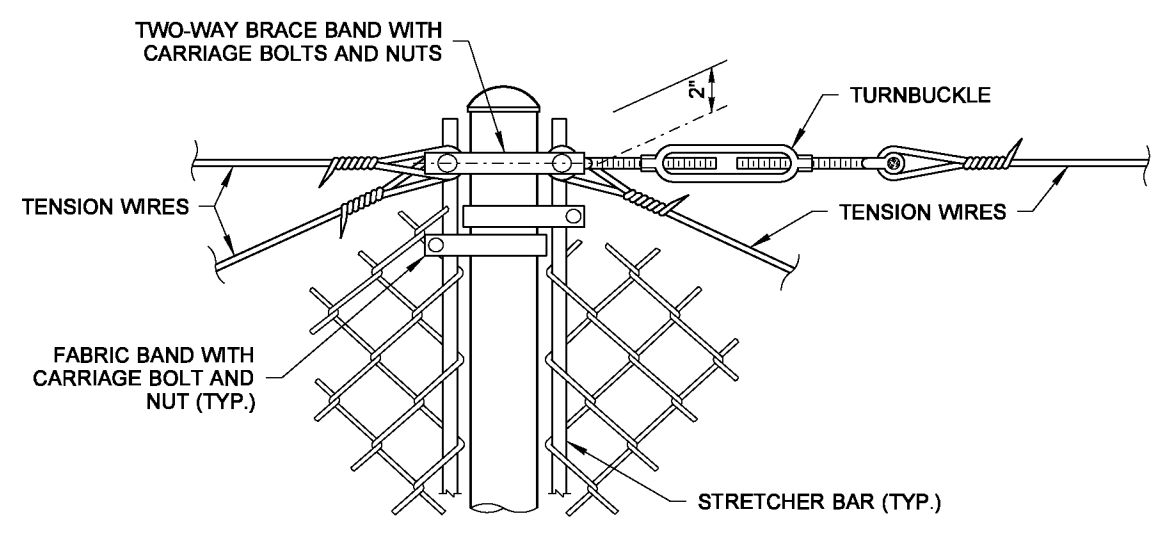
PULL POST (AT END OR CORNER)

DETAIL B



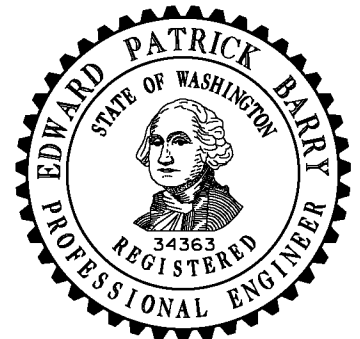
BRACE POST

DETAIL C



PULL POST (WITHIN RUN)

DETAIL D



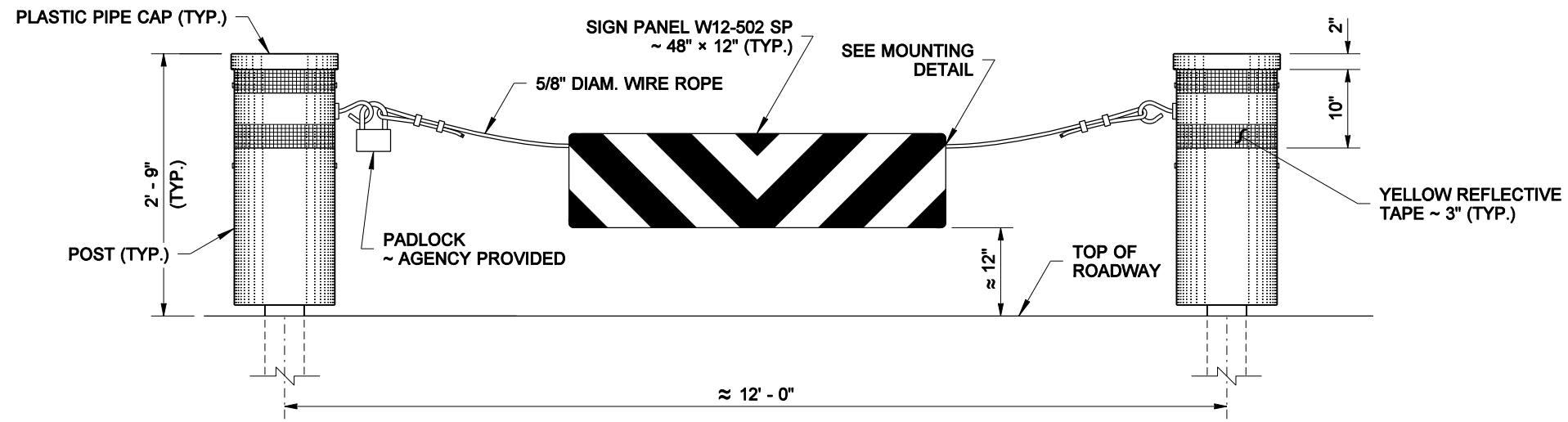
**CHAIN LINK FENCE
TYPES 3 AND 4
STANDARD PLAN L-20.10-03**

SHEET 2 OF 2 SHEETS

APPROVED FOR PUBLICATION

STATE DESIGN ENGINEER
 Washington State Department of Transportation

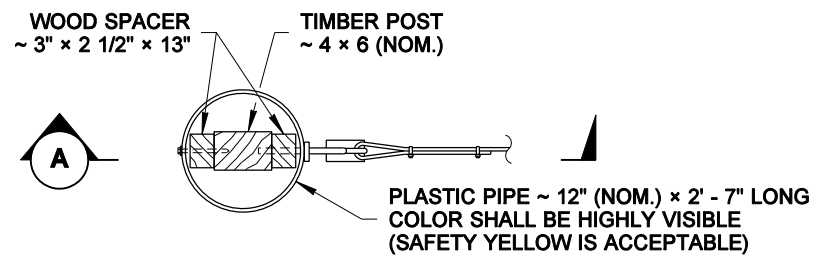
DRAWN BY: BILL BERENS



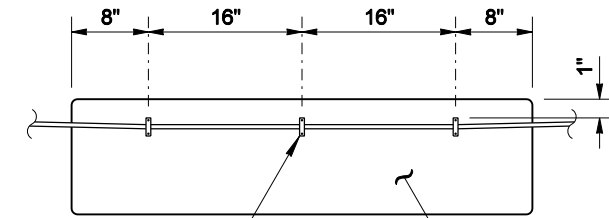
ELEVATION

NOTE

Hardware shall be stainless steel or galvanized in accordance with AASHTO M232.

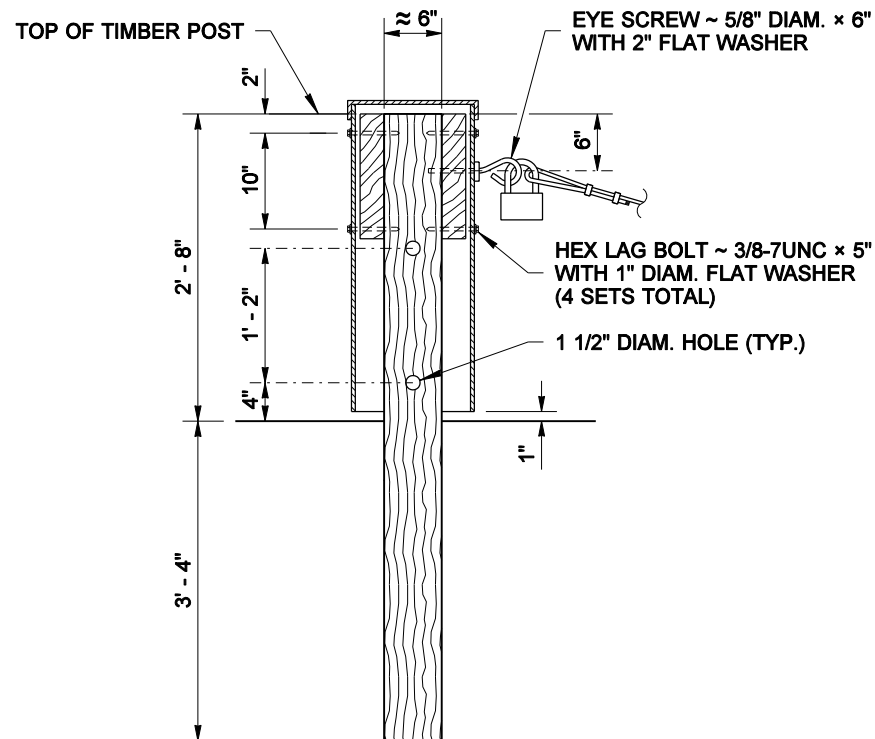


TOP VIEW
 (CAP NOT SHOWN)
 END POST



5/8" S.S. EYE STRAP ~ FASTENED TO THE SIGN PANEL WITH 2 1/8" DIAM. SCREWS AND 2 HEX NUTS (TYP.)
 SIDE OPPOSITE STRIPES

SIGN PANEL MOUNTING DETAIL



SECTION A



EXPIRES JUNE 19, 2008

NOTE: THIS PLAN IS NOT A LEGAL ENGINEERING DOCUMENT UNLESS IT IS SIGNED AND SEALED BY THE ENGINEER WHO PREPARED IT. FOR COUNTERS, SEE SECTION 101.01 OF THE WASHINGTON STATE DEPARTMENT OF TRANSPORTATION. A COPY MAY BE OBTAINED UPON REQUEST.

ACCESS CONTROL GATE

STANDARD PLAN L-70.10-01

SHEET 1 OF 1 SHEET

APPROVED FOR PUBLICATION

Pasco Bakotich III 05-21-08

STATE DESIGN ENGINEER

DATE

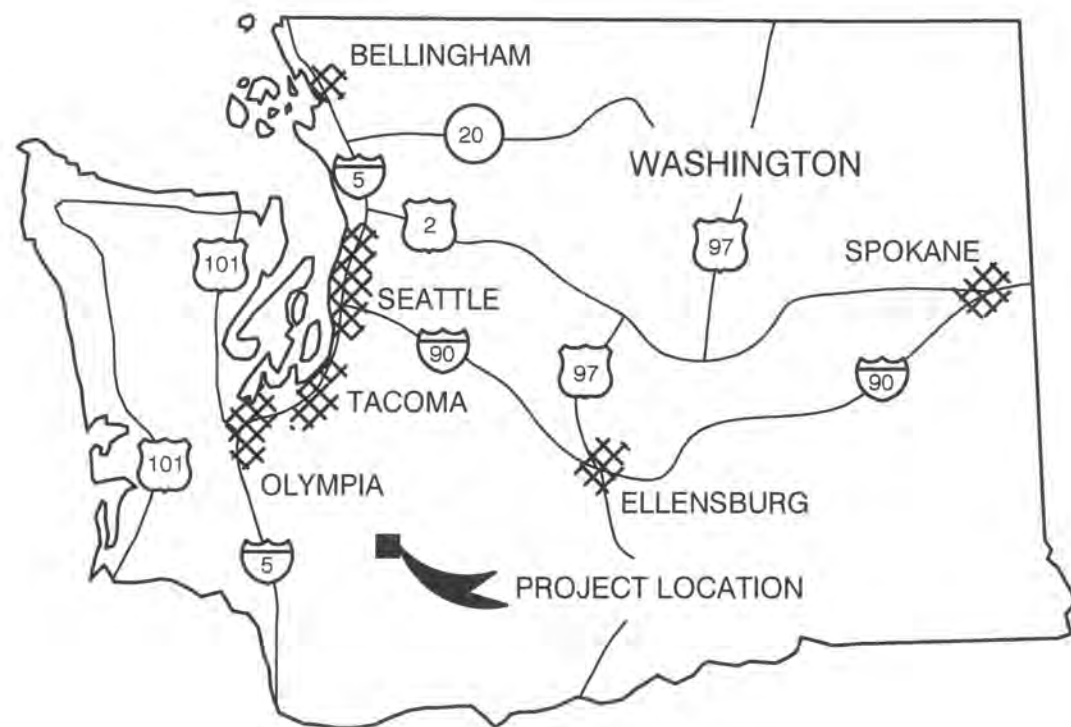


Washington State Department of Transportation

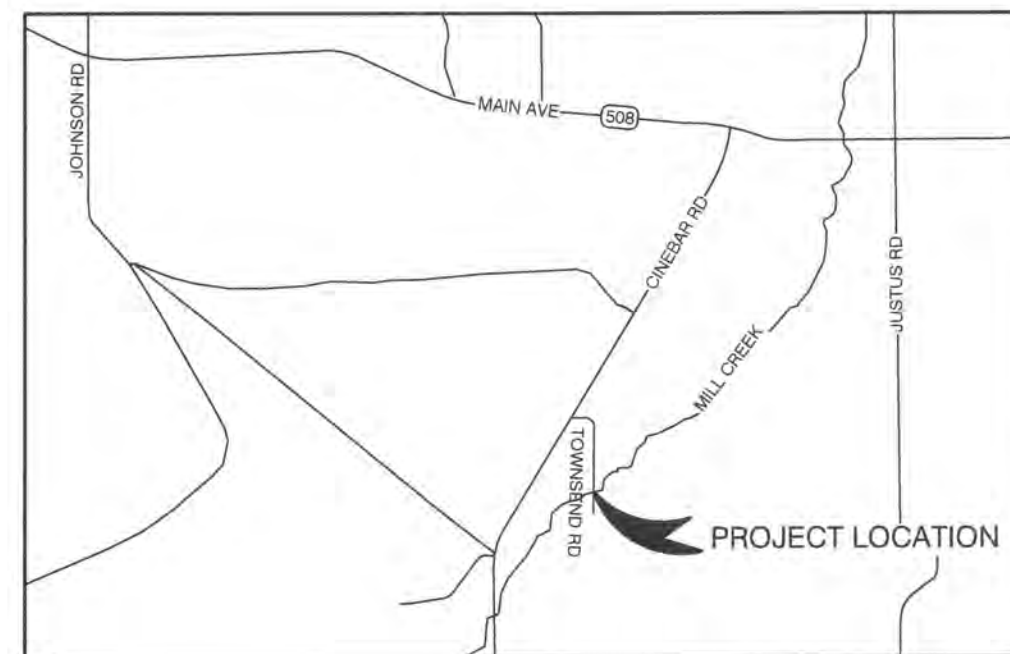
9/24/2020 8:15 AM

TOWNSEND BRIDGE #223 REPLACEMENT

SEC. 22 T.13N., R.2E.
 LEWIS COUNTY, WASHINGTON
 F.A. PROJECT NO. BROS-2021 (056)
 F.A. CONTRACT NO. TA-6340
 COUNTY ROAD PROJECT NO. 2186



LOCATION MAP
NTS



VICINITY MAP
NTS

COMMISSIONERS
 EDNA J. FUND, DISTRICT 1
 ROBERT C. JACKSON, DISTRICT 2
 GARY STAMPER, DISTRICT 3

LEWIS COUNTY
 DEPARTMENT OF PUBLIC WORKS
 APPROVED FOR CONSTRUCTION
Gregory H. Hest 9/25/2020
 Assistant County Engineer Date

V:\1900189 (Townsend Road Bridge Replacement)\Design (2019)\G01.dwg

Lewis County
 Department of Public Works
 2025 N. E. KRESKY AVE.
 CHEHALIS WA 98532
 PHONE # (360) 740-1123
 FAX # (360) 740-2719

DESIGNED BY : D.K
 DRAWN BY : S.Q
 CHECKED BY : G.H
 DATE : 7/2/2020

NO.	DATE	REVISION	BY	APP.

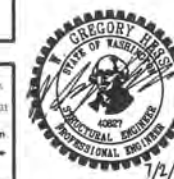
TOWNSEND BRIDGE #223
 REPLACEMENT

COUNTY ROAD PROJECT NO. 2186
 COVER SHEET AND VICINITY MAP

G01
 1 OF 28

CALL 48 HOURS BEFORE YOU DIG
 1-800-428-6555
 "It's the Law"
 Utility Underground Location Center

kpff
 1403 5th Avenue, Suite 1400
 Seattle, WA 98101
 206-422-5822
 www.kpff.com
 Date: _____



SHEET INDEX

SHEET	DESCRIPTION
G1	COVER SHEET
G2	SHEET INDEX AND ABBREVIATIONS
C1	HORIZONTAL CONTROL PLAN
C2	TEMPORARY EROSION CONTROL PLAN AND NOTES
C3	TEMPORARY EROSION CONTROL DETAILS
C4	ROADWAY PLAN AND PROFILE
C5	GUARDRAIL PLAN
C6	SCOUR COUNTERMEASURES - RIPRAP PLAN
C7	SCOUR COUNTERMEASURES - LOG DETAILS AND NOTES
C8	SCOUR COUNTERMEASURES - DIVERSION PLAN
S1	BRIDGE PLAN AND ELEVATION
S2	TYPICAL SECTION
S3	PROPOSED CONSTRUCTION SEQUENCE
S4	FOUNDATION LAYOUT
S5	ABUTMENT PLAN AND ELEVATION
S6	ABUTMENT DETAILS
S7	WINGWALL SECTION AND DETAILS
S8	FRAMING PLAN
S9	GIRDER SCHEDULE
S10	GIRDER DETAILS 1 OF 3
S11	GIRDER DETAILS 2 OF 3
S12	GIRDER DETAILS 3 OF 3
S13	END DIAPHRAGM
S14	BEARING AND GIRDER STOP DETAILS
S15	BRIDGE RAILING DETAILS 1 OF 3
S16	BRIDGE RAILING DETAILS 2 OF 3
S17	BRIDGE RAILING DETAILS 3 OF 3
S18	BAR LIST

ABBREVIATIONS


ABUT	ABUTMENT
APPROX	APPROXIMATELY
ADT	AVERAGE DAILY TRAFFIC
BK	BACK
BOT	BOTTOM
BRG	BEARING
BTWN	BETWEEN
CG	CENTER OF GRAVITY
CIP	CAST IN PLACE
CL	CENTERLINE
CLR	CLEAR
CNTR	CENTER
COMP	COMPRESSIVE
CONC	CONCRETE
CONT	CONTINUOUS
CSBC	CRUSHED SURFACING BASE COURSE
CSTC	CRUSHED SURFACING TOP COURSE
CY	CUBIC YARDS
DIA, DIAM, ϕ	DIAMETER
DWG	DRAWING
E	ELASTOMERIC BEARING PAD, EAST
EF	EACH FACE
ELEV, ELV, EL	ELEVATION
EXIST, EX	EXISTING
EXT	EXTERIOR
FF	FAR FACE
FT	FOOT, FEET
GALV	GALVANIZED
GR	GRADE
H, HORIZ, HORZ	HORIZONTAL
HS	HIGH STRENGTH
IN	INCH, INCHES
JT	JOINT
KSI	KIPS PER SQUARE INCH
LT	LEFT
MAX	MAXIMUM
MIN	MINIMUM
MPH	MILES PER HOUR
NF	NEAR FACE
NO	NUMBER
N	NORTH
NTS	NOT TO SCALE
OC	ON CENTER
ODOT	OREGON DEPARTMENT OF TRANSPORTATION
OFF	OFFSET
OHW	ORDINARY HIGH WATER
O-O	OUT-TO-OUT

ABBREVIATIONS CONT'D

PC	POINT OF CURVATURE
PCF	POUNDS PER CUBIC FEET
PL	PLATE
PROP	PROPERTY
PSF	POUNDS PER SQUARE FEET
PSI	POUNDS PER SQUARE INCH
PT	POINT, POINT OF TANGENCY
PVMT	PAVEMENT
RAD	RADIANS
RAIL	RAILING
REF	REFERENCE
REINF	REINFORCEMENT
ROW	RIGHT OF WAY
RT	RIGHT
S	SOUTH
SPA	SPACED, SPACING
SPEC	SPECIFICATIONS
STA	STATION
STD	STANDARD
SW	SOUTHWEST
SYMM	SYMMETRIC
TYP	TYPICAL
VC	VERTICAL CURVE
V, VERT	VERTICAL
VPC	VERTICAL POINT OF CURVATURE
VPI	VERTICAL POINT OF INTERSECTION
VPT	VERTICAL POINT OF TANGENCY
W/	WITH
WGT	WEIGHT
YR	YEAR

7/2/2020 9:22 AM

V:\1900\139 (Townsend Road Bridge Replacement)\Design (v2019)\G02.dwg



2025 N. E. KRESKY AVE.
CHEHALIS WA 98532
PHONE # (360) 740-1123
FAX # (360) 740-2719

DESIGNED BY : D.K
DRAWN BY : S.Q
CHECKED BY : G.H
DATE : 7/2/2020

NO.	DATE	REVISION	BY	APP.

**TOWNSEND BRIDGE #223
REPLACEMENT**

COUNTY ROAD PROJECT NO: 2186

SHEET INDEX AND ABBREVIATIONS

G02
2
OF
28




CALL 48 HOURS
BEFORE YOU DIG
1-800-
424-5555
"It's the Law"
Utilities
Underground
Location Center



1601 5th Avenue,
Suite 1600
Seattle, WA 98101
206.622.5822
www.kpff.com

Date: _____



GREGORY HAYS
STATE OF WASHINGTON
40827
PROFESSIONAL ENGINEER
7/2/20

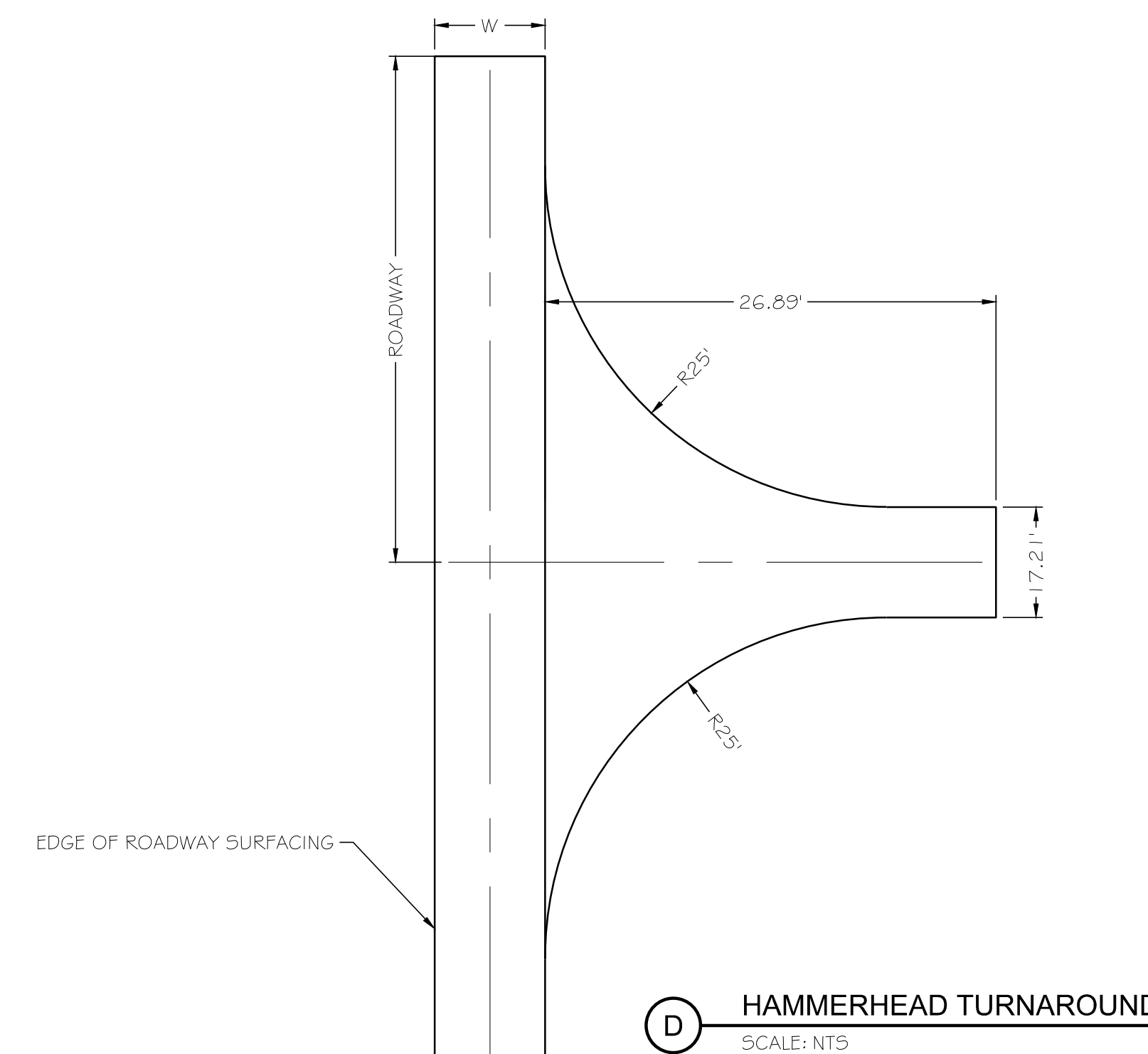
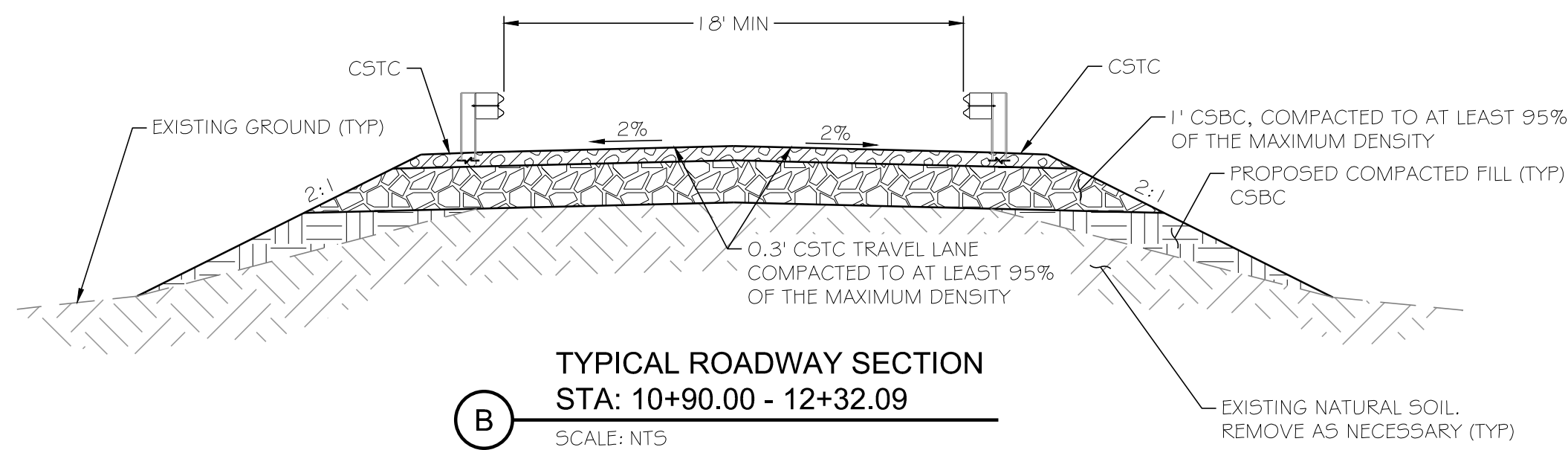
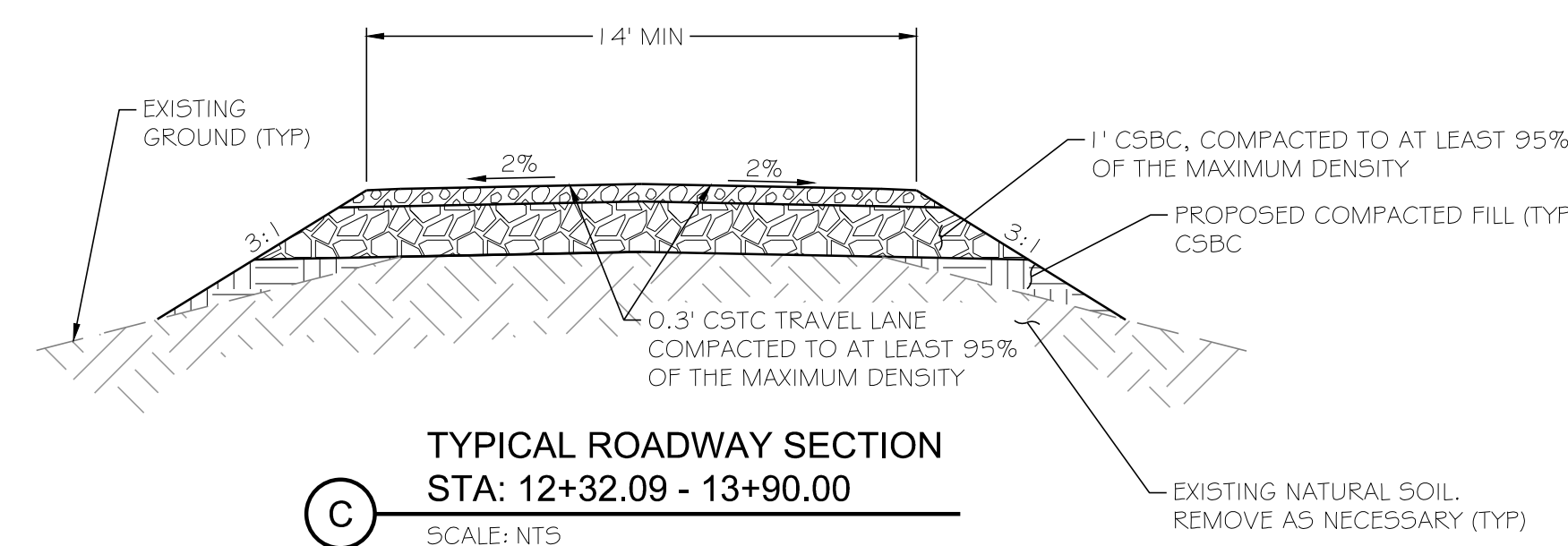
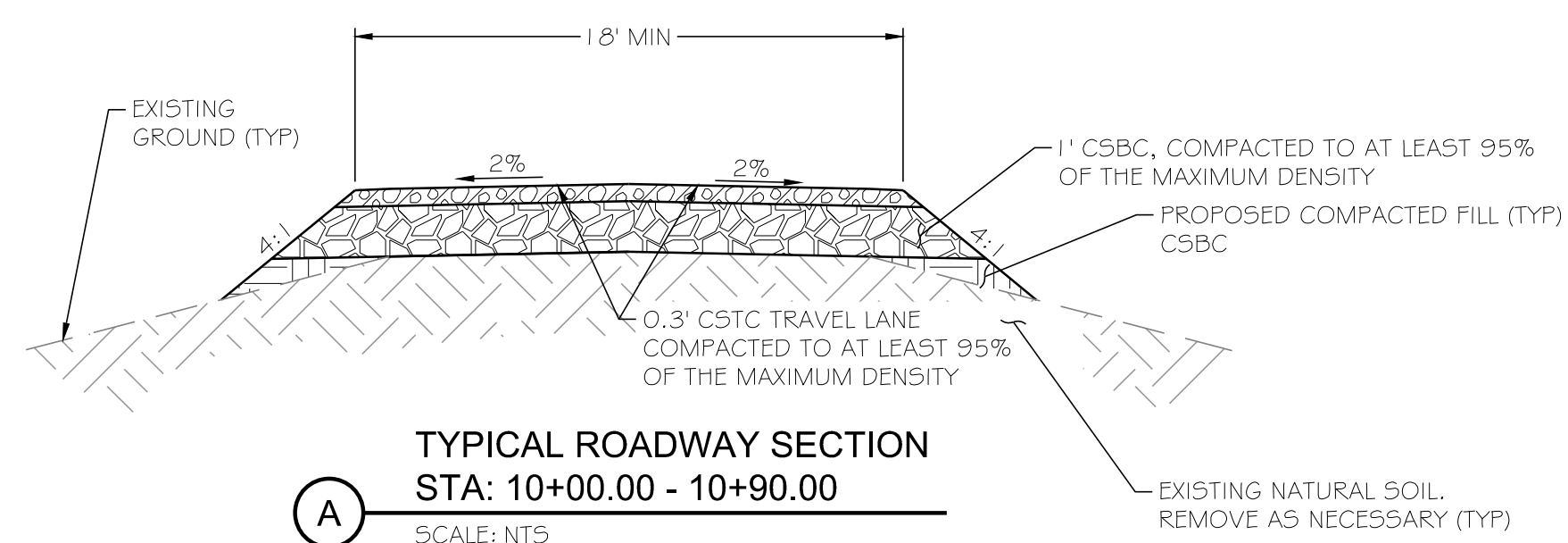
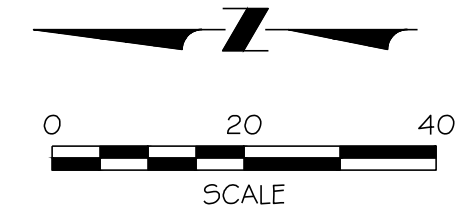
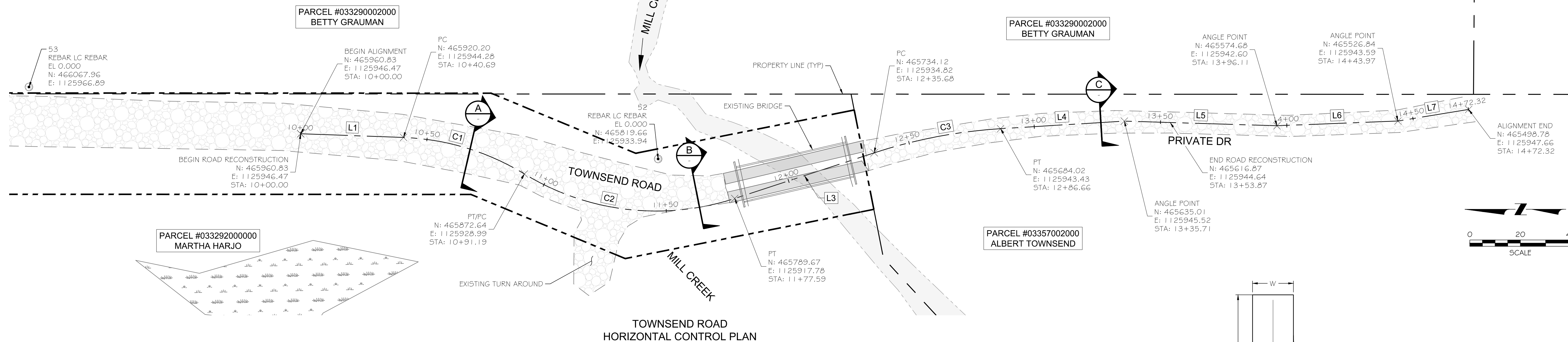
SECTION 22, TOWNSHIP 13 NORTH, RANGE 2 EAST
LEWIS COUNTY, WASHINGTON

LINE TABLE				
LINE #	LENGTH	BEARING	START POINT (N,E)	END POINT (N,E)
L1	40.69'	S03° 04' 46"W	(465,960.83, 1,125,946.47)	(465,920.20, 1,125,944.28)
L3	58.10'	S17° 03' 20"E	(465,789.67, 1,125,917.78)	(465,734.12, 1,125,934.82)
L4	49.04'	S02° 26' 47"E	(465,684.00, 1,125,943.43)	(465,635.01, 1,125,945.52)
L5	60.40'	S02° 46' 30"W	(465,574.68, 1,125,942.60)	(465,526.84, 1,125,943.59)
L6	47.86'	S01° 11' 10"E	(465,574.68, 1,125,942.60)	(465,526.84, 1,125,943.59)
L7	28.36'	S08° 15' 56"E	(465,526.84, 1,125,943.59)	(465,498.78, 1,125,947.66)

CURVE TABLE					
CURVE #	RADIUS	LENGTH	Δ DELTA	START POINT (N,E)	END POINT (N,E)
C1	99.00'	50.50'	029° 13' 36"	(465,920.20, 1,125,944.28)	(465,872.64, 1,125,928.99)
C2	100.00'	86.39'	049° 29' 58"	(465,872.64, 1,125,928.99)	(465,789.67, 1,125,917.78)
C3	200.00'	51.00'	014° 36' 33"	(465,734.12, 1,125,934.82)	(465,684.00, 1,125,943.43)

NOTE:

PARCEL PROPERTIES ON THE WEST SIDE OF THE ROAD ARE SEPARATED BY EXISTING RIGHT OF WAY AND MILL CREEK



FILE: I:\2019\1004\900139 - Townsend Bridge\CADD\DWG\C1 - HBZ CONTROL PLAN & SECTIONS

Lewis County
Department of Public Works

2025 N. E. KRESKY AVE.
CHEHALIS WA 98532
PHONE # (360) 740-1123
FAX # (360) 740-2719

DESIGNED BY : SAS
DRAWN BY : SAS
CHECKED BY : MRS
DATE : 07/02/2020
CONSTRUCTION SET

NO.	DATE	REVISION	BY	APP.

TOWNSEND BRIDGE #223 REPLACEMENT
LEWIS COUNTY, WASHINGTON

COUNTY ROAD PROJECT NO: 2186
HORIZONTAL CONTROL PLAN

C1
3
OF
28


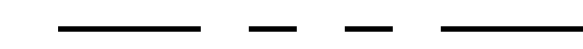




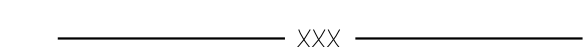
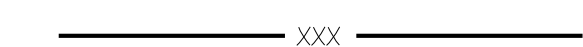
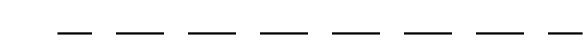
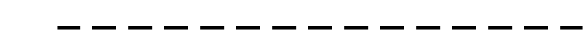

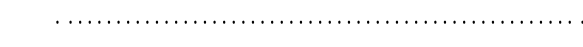





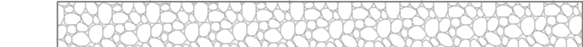
CALL 48 HOURS BEFORE YOU DIG
1-800-424-5555
"It's the Law"
Utilities Underground Location Center

kpff Consulting Engineers

612 Woodland Square Loop SE, Suite 100
Lacey, Washington 98503
(360) 292-7230 Fax (360) 292-7231

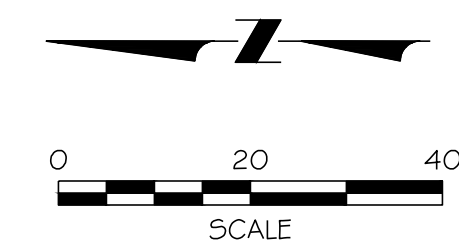
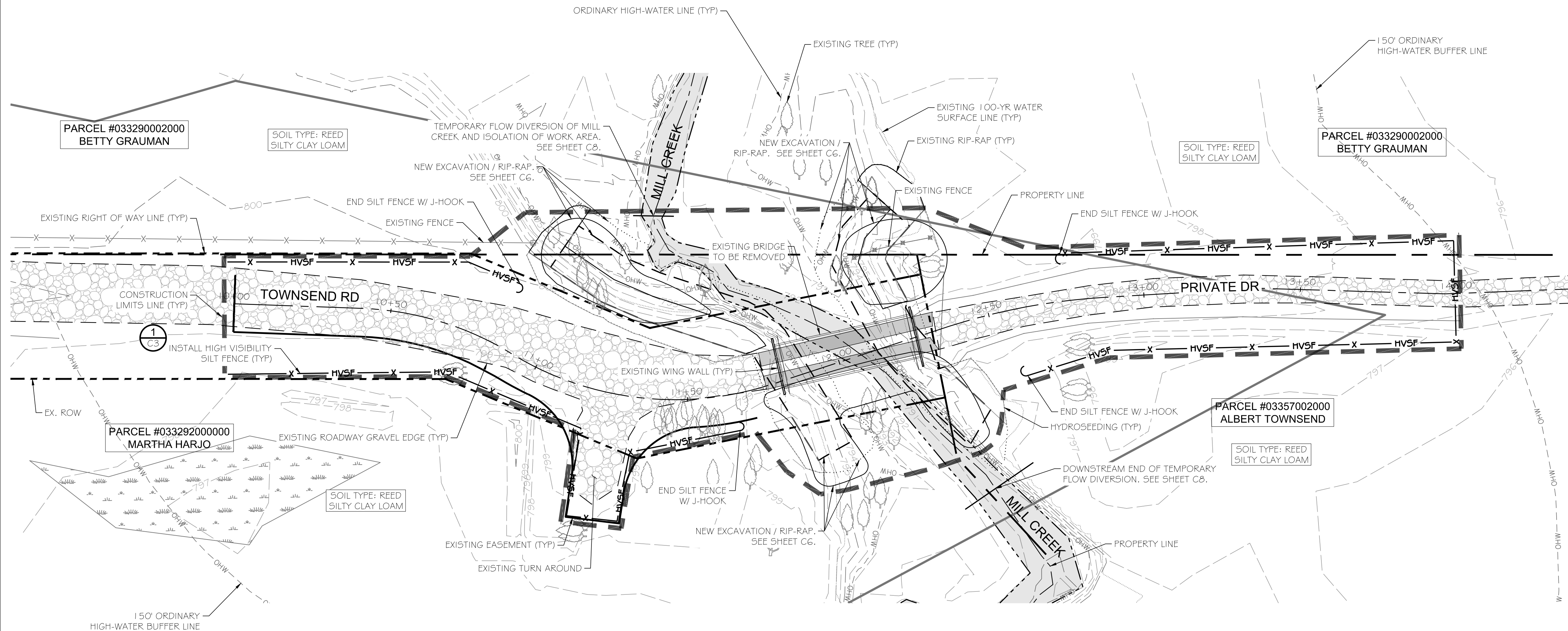
MARK R. STEEDY
STATE OF WASHINGTON
REGISTERED PROFESSIONAL ENGINEER
34888
07-02-2020

LEGEND

-  RIGHT OF WAY
-  PROPERTY LINE
-  CONSTRUCTION LIMITS
-  BEAM GUARDRAIL TYPE 3 I
-  EXISTING MINOR CONTOUR
-  EXISTING MAJOR CONTOUR
-  PROPOSED MINOR CONTOUR
-  PROPOSED MAJOR CONTOUR
-  EDGE OF PAVEMENT
-  GRADING CUT/FILL LINE
-  ORDINARY HIGH WATER LINE
-  HYDRAULIC GRADING LIMITS
-  PROPOSED GRAVEL ROADWAY
-  EXISTING GRAVEL ROADWAY
-  CREEK
-  PROPOSED RIP RAP
-  EXISTING RIP RAP
-  EXISTING WETLAND

GENERAL NOTES

1. EROSION CONTROL MEASURES SHALL BE IN PLACE PRIOR TO THE BEGINNING OF CONSTRUCTION. THE PROJECT ENGINEER AND THE COUNTY SHALL INSPECT AND APPROVE THE INSTALLATION OF EROSION CONTROL MEASURES PRIOR TO BEGINNING CONSTRUCTION.
2. EROSION CONTROL MEASURES ARE NOT LIMITED TO THE ITEMS ON THIS PLAN. THE CONTRACTOR IS RESPONSIBLE FOR THE INSTALLATION AND MAINTENANCE OF ALL EROSION CONTROL MEASURES. NO SILTATION OF EXISTING OR PROPOSED DRAINAGE FACILITIES SHALL BE ALLOWED. CARE SHALL BE TAKEN TO PREVENT MIGRATION OF SILTS TO OFF-SITE PROPERTIES.
3. THE CONTRACTOR SHALL MAKE DAILY SURVEILLANCE OF ALL EROSION CONTROL MEASURES AND MAKE ANY NECESSARY REPAIRS OR ADDITIONS TO THE EROSION CONTROL MEASURES. THE CONTRACTOR SHALL PROVIDE ADDITIONAL EROSION CONTROL MEASURES AS DETERMINED NECESSARY BY THE COUNTY INSPECTOR AND/OR THE PROJECT ENGINEER.
4. DURING THE WET SEASON, OCTOBER THROUGH APRIL, ALL DISTURBED, UNWORKED SOILS SHALL BE STABILIZED WITHIN 48 HOURS AFTER STOP OF WORK. EROSION CONTROL MEASURES SHALL INCLUDE, BUT ARE NOT LIMITED TO, COVERING THE EFFECTED AREA, INCLUDING SPOIL PILES, WITH PLASTIC SHEETING, STRAW MATTING, JUTE MATTING, STRAW MULCH, OR WOOD CHIPS. SEEDING OF THE DISTURBED AREAS SHALL TAKE PLACE AS WEATHER PERMITS.
5. ALL SEEDING OR SODDED AREAS SHALL BE CHECKED REGULARLY TO MAKE SURE VEGETATIVE COVERAGE IS COMPLETE. AREAS SHALL BE REPAIRED, RESEEDING, AND FERTILIZED AS REQUIRED.
6. TRACKING OF SOIL OFF-SITE WILL NOT BE ALLOWED. IF ANY SOIL IS TRACKED ONTO A PUBLIC STREET IT SHALL BE REMOVED BY THE END OF THAT WORKING DAY. ANY FURTHER TRACKING OF MUD WILL THEN BE PREVENTED BY SWEEPING OR WASHING OF THE VEHICLE'S TIRES BEFORE DRIVING ON A PUBLIC STREET.
7. EXCAVATED MATERIAL SHALL BE PLACED ON THE UPHILL SIDE OF TRENCHES.
8. DEWATERING DEVICES SHALL BE DISCHARGED IN A MANNER THAT WILL NOT ADVERSELY AFFECT FLOWING STREAMS, DRAINAGE SYSTEMS, OR OFF-SITE PROPERTIES. SEE INDICATOR ENGINEERING SHEETS FOR DEWATERING DETAILS.
9. ALL WATER SOURCES RECEIVING RUNOFF FROM THE PROJECT DURING CONSTRUCTION SHALL BE PROTECTED SO THAT SEDIMENT-LADEN WATER WILL BE FILTERED BEFORE ENTERING THE CONVEYANCE SYSTEM.
10. ALL DISTURBED AREAS SHALL BE SEEDING UPON COMPLETION OF WORK. THE CONTRACTOR SHALL BE RESPONSIBLE TO ENSURE THAT COMPLETE COVERAGE OF THE DISTURBED AREAS IS PROVIDED & THAT GROWTH OF THE VEGETATION IS MAINTAINED.
11. THESE PLANS ARE FOR GRADING AND EROSION CONTROL ONLY. DESIGN, SIZING, CONFIGURATION, AND J OR ELEVATIONS RELATED TO THE PUBLIC WORKS IMPROVEMENTS WILL BE ADDRESSED WITH THE CIVIL PLANS.



Lewis County
 Department of Public Works
 2025 N. E. KRESKY AVE.
 CHEHALIS WA 98532
 PHONE # (360) 740-1123
 FAX # (360) 740-2719

DESIGNED BY : SAS
 DRAWN BY : SAS
 CHECKED BY : MRS
 DATE : 07/02/2020
 CONSTRUCTION SET

NO.	DATE	REVISION	BY	APP.

TOWNSEND BRIDGE #223 REPLACEMENT
 LEWIS COUNTY, WASHINGTON

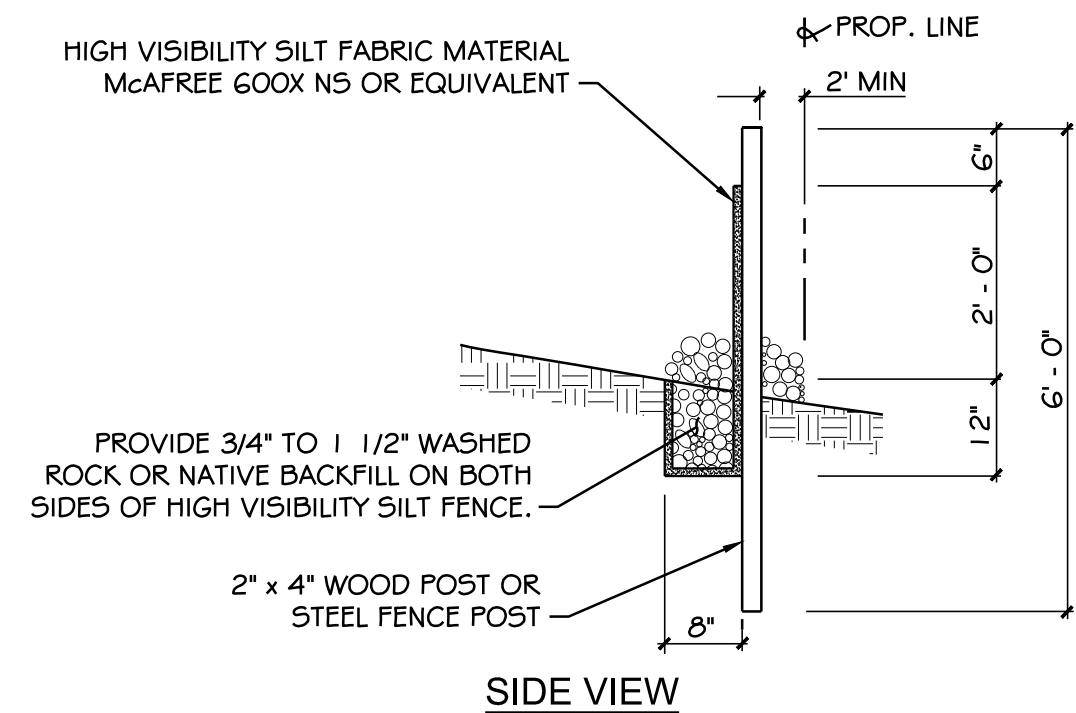
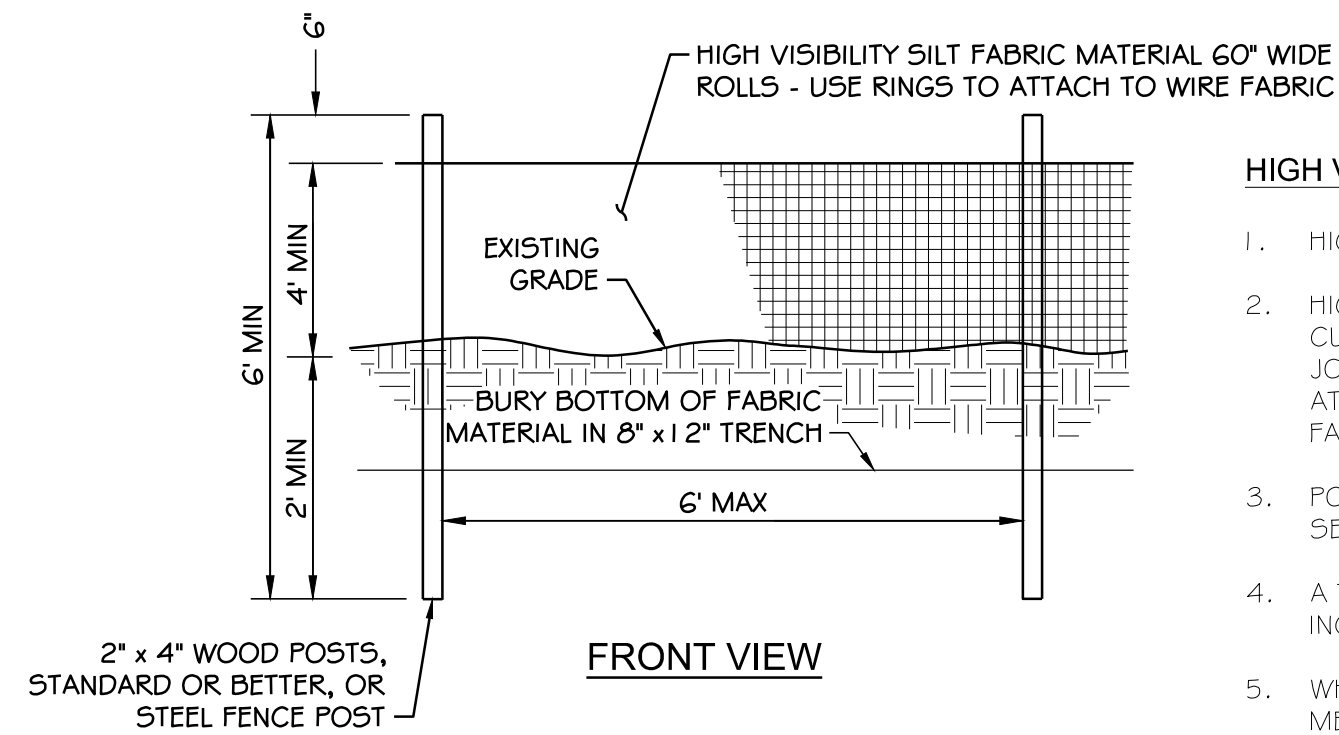
COUNTY ROAD PROJECT NO: 2186
 TEMPORARY EROSION CONTROL
 PLAN AND NOTES

C2
 4 OF 28



kpff Consulting Engineers
 612 Woodland Square Loop SE, Suite 100
 Lacey, Washington 98503
 (360) 292-7230 Fax (360) 292-7231





HIGH VISIBILITY SILT FABRIC FENCES:

1. HIGH VISIBILITY SILT FENCE COLOR - ORANGE.
2. HIGH VISIBILITY SILT FABRIC SHALL BE PURCHASED IN A CONTINUOUS ROLL CUT TO THE LENGTH OF THE BARRIER TO AVOID USE OF JOINTS. WHEN JOINTS ARE NECESSARY, FILTER CLOTH SHALL BE SPLICED TOGETHER ONLY AT A SUPPORT POST, WITH A MINIMUM 6-INCH OVERLAP, AND SECURELY FASTENED AT BOTH ENDS TO POST.
3. POSTS SHALL BE SPACED A MAXIMUM OF 6 FEET APART AND DRIVEN SECURELY INTO THE GROUND (MINIMUM OF 24 INCHES).
4. A TRENCH SHALL BE EXCAVATED APPROXIMATELY 8 INCHES WIDE AND 12 INCHES DEEP ALONG THE LINE OF POSTS AND UP-SLOPE FROM THE BARRIER.
5. WHEN STANDARD STRENGTH HIGH VISIBILITY SILT FABRIC IS USED, A WIRE MESH SUPPORT FENCE SHALL BE FASTENED SECURELY TO THE UP-SLOPE SIDE OF THE POSTS USING HEAVY-DUTY WIRE STAPLES AT LEAST 1 INCH LONG, TIE WIRES OR HOG RINGS. THE WIRE SHALL EXTEND INTO THE TRENCH A MINIMUM OF 4 INCHES AND SHALL NOT EXTEND MORE THAN 36 INCHES ABOVE THE ORIGINAL GROUND SURFACE.
6. THE STANDARD STRENGTH HIGH VISIBILITY SILT FABRIC SHALL BE STAPLED OR WIRED TO THE FENCE, AND 20 INCHES OF THE FABRIC SHALL BE EXTENDED INTO THE TRENCH. THE FABRIC SHALL NOT EXTEND MORE THAN 36 INCHES ABOVE THE ORIGINAL GROUND SURFACE AND SHALL NOT BE STAPLED TO EXISTING TREES.
7. WHEN EXTRA-STRENGTH HIGH VISIBILITY SILT FABRIC AND CLOSER POST SPACING IS USED, THE WIRE MESH SUPPORT FENCE MAY BE ELIMINATED. IN SUCH A CASE, THE HIGH VISIBILITY SILT FABRIC IS STAPLED OR WIRED DIRECTLY TO THE POSTS WITH ALL OTHER PROVISIONS OF ABOVE NOTES APPLYING.
8. HIGH VISIBILITY SILT FENCES SHALL NOT BE REMOVED BEFORE THE UP-SLOPE AREA HAS BEEN PERMANENTLY STABILIZED.
9. HIGH VISIBILITY SILT FENCES SHALL BE INSPECTED IMMEDIATELY AFTER EACH RAINFALL AND AT LEAST DAILY DURING PROLONGED RAINFALL. ANY REQUIRED REPAIRS SHALL BE MADE IMMEDIATELY.

1 HIGH VISIBILITY SILT FENCE DETAIL
SCALE: NTS

Lewis County
Department of Public Works

2025 N. E. KRESKY AVE.
CHEHALIS WA 98532
PHONE # (360) 740-1123
FAX # (360) 740-2719

DESIGNED BY : SAS
DRAWN BY : SAS
CHECKED BY : MRS
DATE : 07/02/2020
CONSTRUCTION SET

NO.	DATE	REVISION	BY	APP.

TOWNSEND BRIDGE #223 REPLACEMENT
LEWIS COUNTY, WASHINGTON

COUNTY ROAD PROJECT NO: 2186

TEMPORARY EROSION CONTROL DETAILS

C3
5 OF 28

CALL 48 HOURS BEFORE YOU DIG

1-800-424-5555

'It's the Law'

Utilities Underground Location Center

kpff Consulting Engineers

612 Woodland Square Loop SE, Suite 100
Lacey, Washington 98503
(360) 292-7230 Fax (360) 292-7231

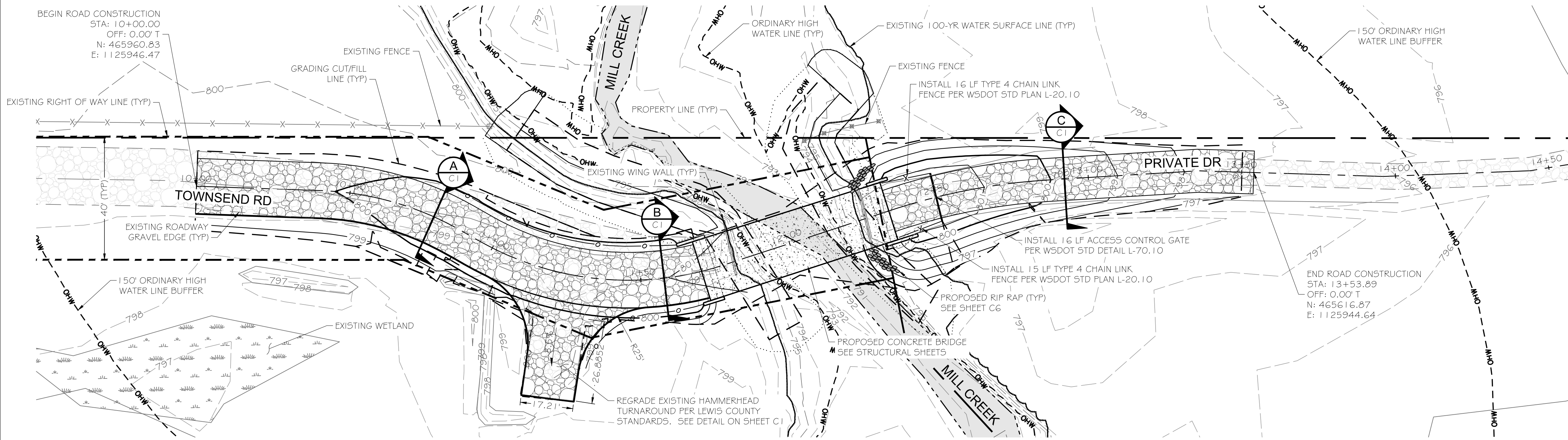
MARK R. STEEDY
STATE OF WASHINGTON
REGISTERED PROFESSIONAL ENGINEER
34888

07-02-2020

SECTION 22, TOWNSHIP 13 NORTH, RANGE 2 EAST
LEWIS COUNTY, WASHINGTON

LEGEND

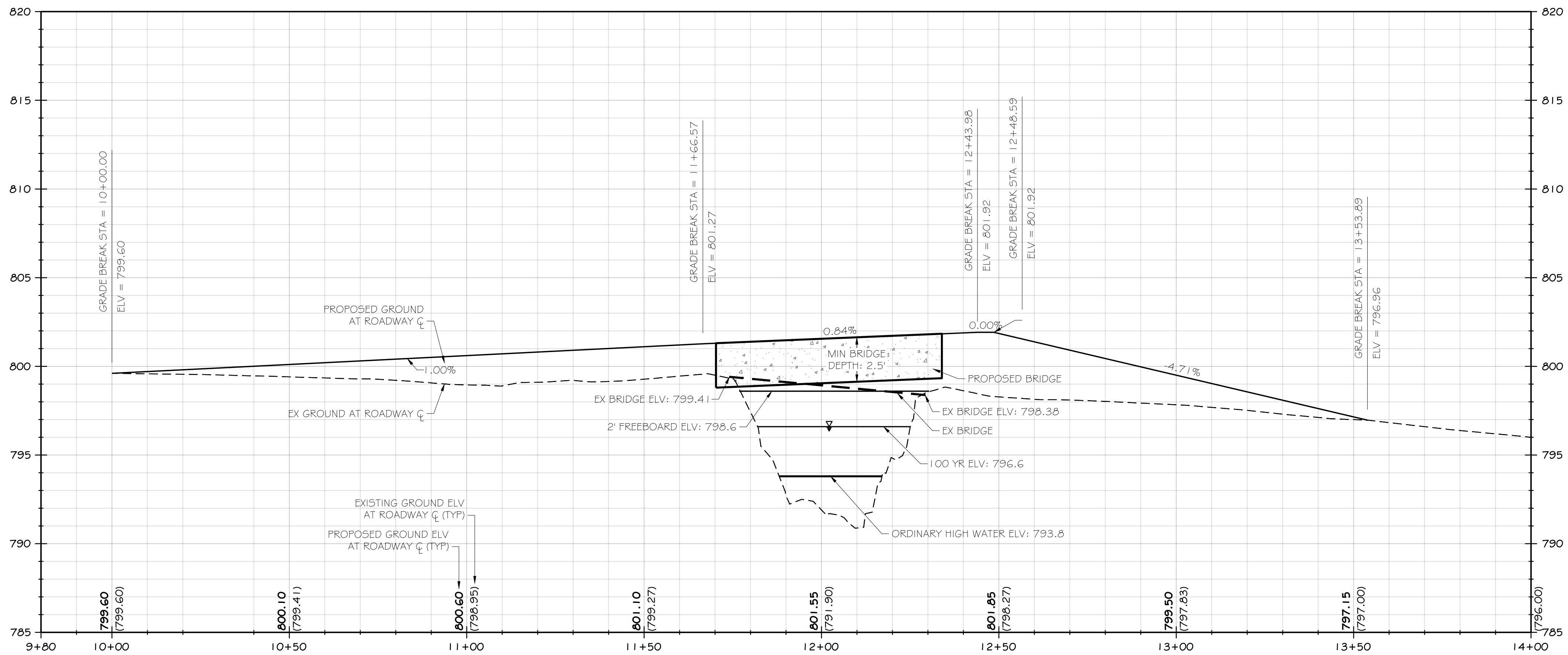
- RIGHT OF WAY
- PROPERTY LINE
- CONSTRUCTION LIMITS
- BEAM GUARDRAIL TYPE 3 I
- XXX EXISTING MINOR CONTOUR
- XXX EXISTING MAJOR CONTOUR
- XXX PROPOSED MINOR CONTOUR
- XXX PROPOSED MAJOR CONTOUR
- EDGE OF PAVEMENT
- GRADING CUT/FILL LINE
- OHW ORDINARY HIGH WATER LINE
- HYDRAULIC GRADING LIMITS
- PROPOSED GRAVEL ROADWAY
- EXISTING GRAVEL ROADWAY
- CREEK
- PROPOSED RIP RAP
- EXISTING RIP RAP
- EXISTING WETLAND



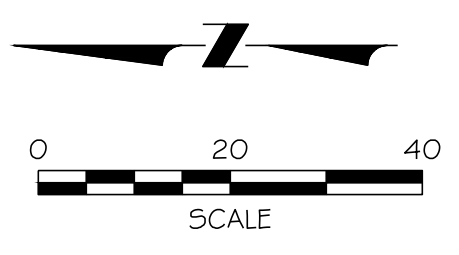
ROADWAY PLAN
SCALE: 1" = 20'

- NOTE:**
- SEE SHEET C6 FOR RIP RAP LOCATION IN THE CREEK.
 - SEE SHEETS C8 FOR STREAM DIVERSION PLANS.

- GENERAL NOTES:**
- ALL WORKMANSHIP AND MATERIALS SHALL BE IN ACCORDANCE WITH THE MOST CURRENT COUNTY STANDARDS AND THE MOST CURRENT EDITION OF THE STATE OF WASHINGTON STANDARD SPECIFICATIONS FOR ROAD, BRIDGE AND MUNICIPAL CONSTRUCTION (WSDOT/APWA).
 - ALL SAFETY STANDARDS AND REQUIREMENTS SHALL BE COMPLIED WITH AS SET FORTH BY OSHA, WISHA, AND THE WASHINGTON STATE DEPARTMENT OF LABOR AND INDUSTRIES.
 - A PRE-CONSTRUCTION MEETING IS REQUIRED. THE MEETING SHALL BE SCHEDULED A MINIMUM OF TWO (2) DAYS BEFORE THE START OF CONSTRUCTION.
 - IT IS THE CONTRACTOR'S RESPONSIBILITY TO NOTIFY ALL EMERGENCY SERVICES (FIRE, POLICE, ETC.) IF STREETS OR OTHER ACCESSES ARE OBSTRUCTED.
 - THE CONTRACTOR SHALL PROVIDE EMERGENCY TELEPHONE NUMBERS AT THE PRECONSTRUCTION MEETING AND SHALL PROVIDE A FOREMAN ON SITE DURING ALL WORKING HOURS.
 - SIGNED, APPROVED PLANS SHALL BE ON SITE AT ALL TIMES WHILE WORK IS BEING PERFORMED.
 - THE CONTRACTOR SHALL RESTORE WORK AREA TO SAME OR BETTER CONDITION UNLESS OTHERWISE APPROVED OR SPECIFIED.
 - ALL DISTURBED AREAS, OTHER THAN PAVEMENT AND ROCKED SURFACES, SHALL BE SEEDED AND MULCHED, OR SIMILARLY STABILIZED TO THE SATISFACTION OF THE ENGINEER AND IN ACCORDANCE WITH THE STANDARDS AND PLANS.



ROADWAY PROFILE
HORZ SCALE: 1" = 20' - VERT SCALE: 1" = 4'



Lewis County
Department of Public Works

2025 N. E. KRESKY AVE.
CHEHALIS WA 98532
PHONE # (360) 740-1123
FAX # (360) 740-2719

DESIGNED BY : SAS
DRAWN BY : SAS
CHECKED BY : MRS
DATE : 07/28/2020
CONSTRUCTION SET

NO.	DATE	REVISION	BY	APP.

TOWNSEND BRIDGE #223 REPLACEMENT
LEWIS COUNTY, WASHINGTON

COUNTY ROAD PROJECT NO: 2186
ROADWAY PLAN & PROFILE

C4
6 OF 28

CALL 48 HOURS BEFORE YOU DIG
1-800-424-5555
"It's the Law"
Utilities Underground Location Center

kpff Consulting Engineers
612 Woodland Square Loop SE, Suite 100
Lacey, Washington 98503
(360) 292-7230 Fax (360) 292-7231

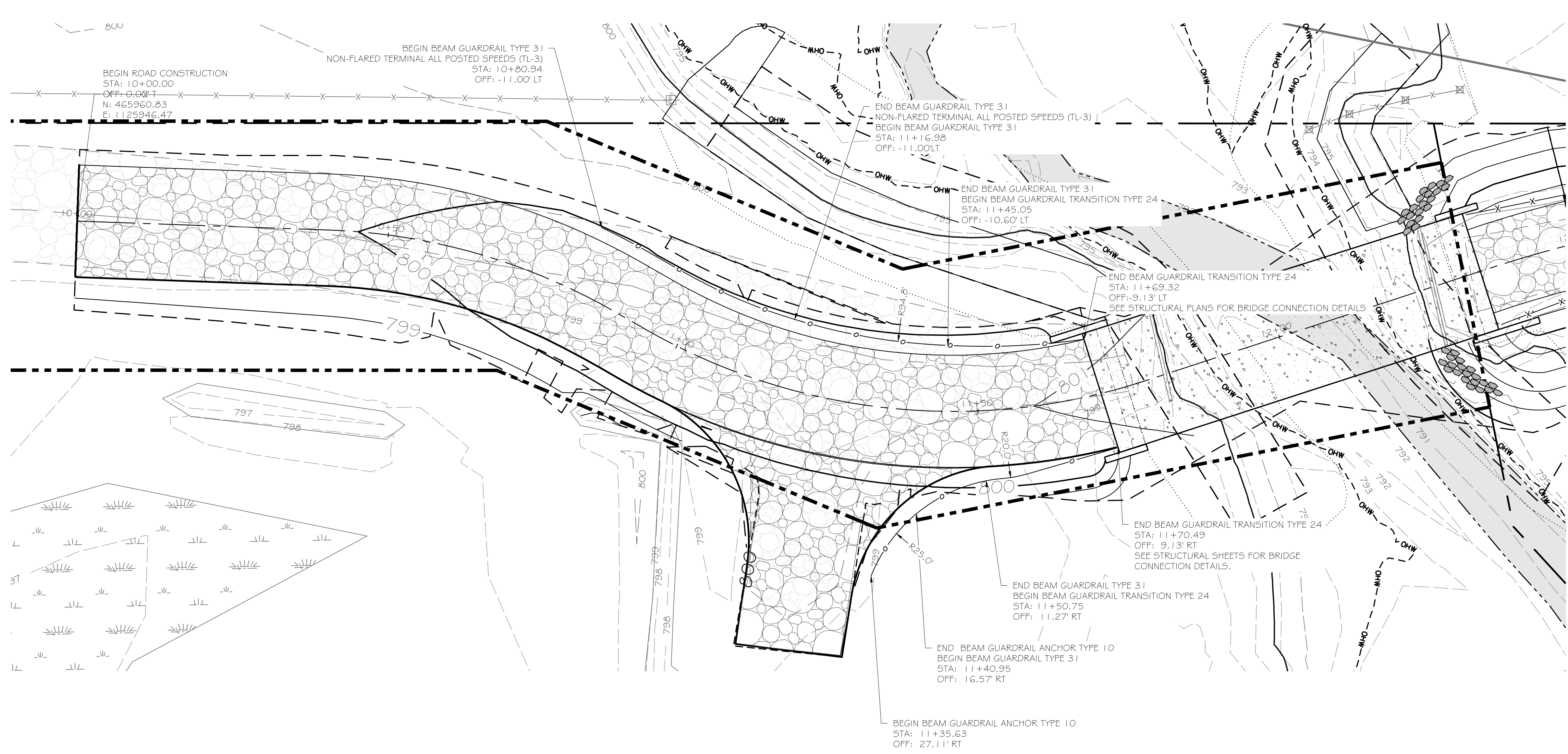
MARK R. STEEDY
STATE OF WASHINGTON
REGISTERED PROFESSIONAL ENGINEER
34888
07-02-2020

FILE: I:\2019\1004\900139 - Townsend Bridge\CADD\DWG\C4 - ROADWAY PLAN & PROFILE

PLOTTED: Jul 28, 2020 - 16:06:27 PLOTTED BY: steph...

PLOTTED: Jul 02, 2020 - 9:16:27 PLOTTED BY: stephens

SECTION 22, TOWNSHIP 13 NORTH, RANGE 2 EAST LEWIS COUNTY, WASHINGTON

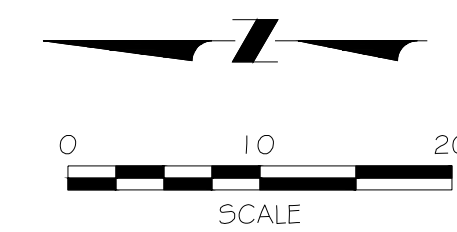


GUARDRAIL PLAN

SCALE: 1" = 10'

LEGEND

- RIGHT OF WAY
- PROPERTY LINE
- CONSTRUCTION LIMITS
- BEAM GUARDRAIL TYPE 31
- XXX EXISTING MINOR CONTOUR
- XXX EXISTING MAJOR CONTOUR
- XXX PROPOSED MINOR CONTOUR
- XXX PROPOSED MAJOR CONTOUR
- EDGE OF PAVEMENT
- GRADING CUT/FILL LINE
- ORDINARY HIGH WATER LINE
- HYDRAULIC GRADING LIMITS
- PROPOSED GRAVEL ROADWAY
- EXISTING GRAVEL ROADWAY
- CREEK
- PROPOSED RIP RAP
- EXISTING RIP RAP
- EXISTING WETLAND



FILE: I:\2019\1004\900139 - Townsend Bridge\CADD\DWG\C5 - GUARDRAIL PLAN

Lewis County
Department of Public Works

2025 N. E. KRESKY AVE.
CHEHALIS WA 98532
PHONE # (360) 740-1123
FAX # (360) 740-2719

DESIGNED BY : SAS
DRAWN BY : SAS
CHECKED BY : MRS
DATE : 07/02/2020
CONSTRUCTION SET

NO.	DATE	REVISION	BY	APP.

TOWNSEND BRIDGE #223 REPLACEMENT
LEWIS COUNTY, WASHINGTON

COUNTY ROAD PROJECT NO: 2186

GUARDRAIL PLAN

C5
7 OF
28

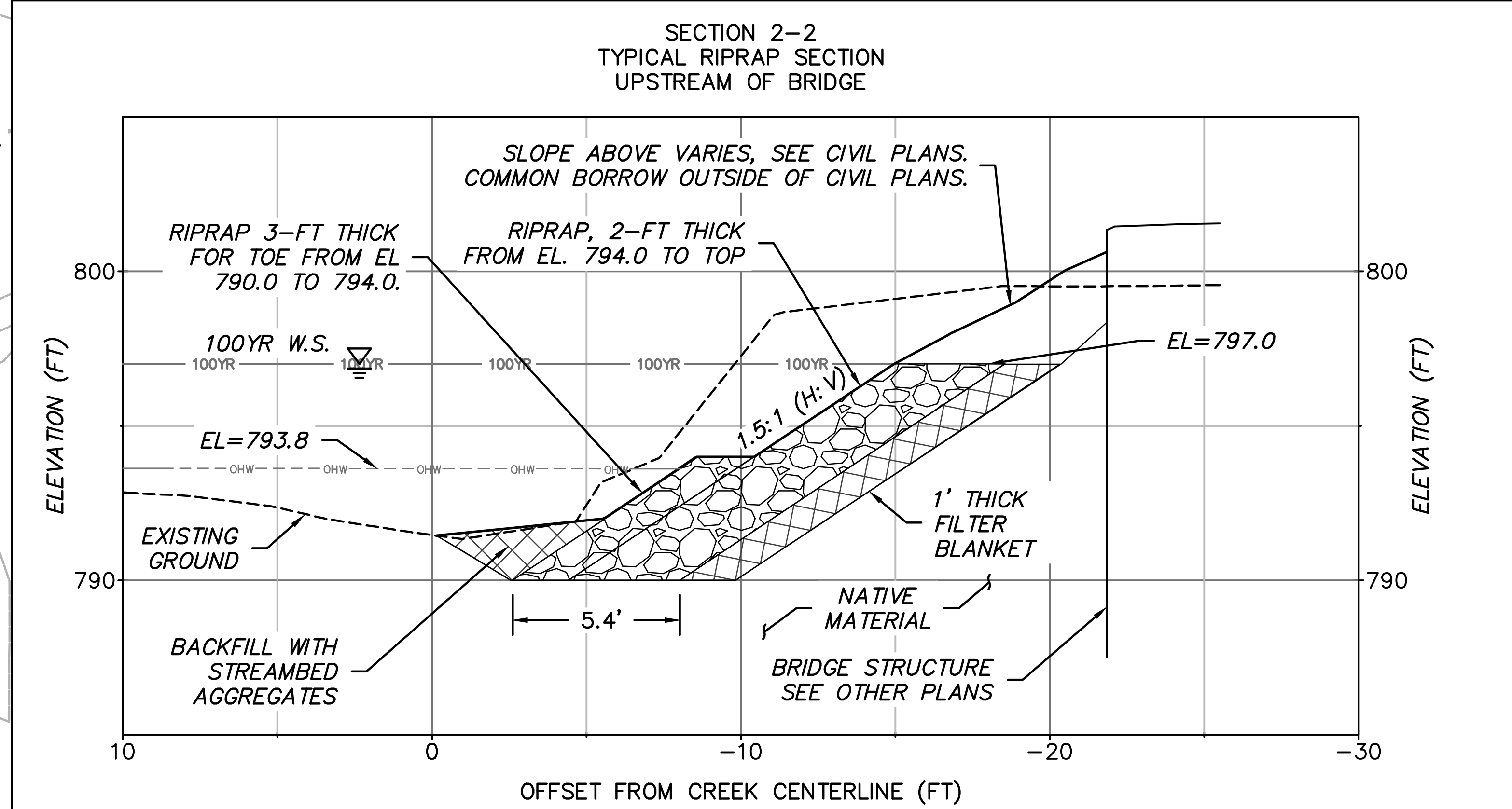
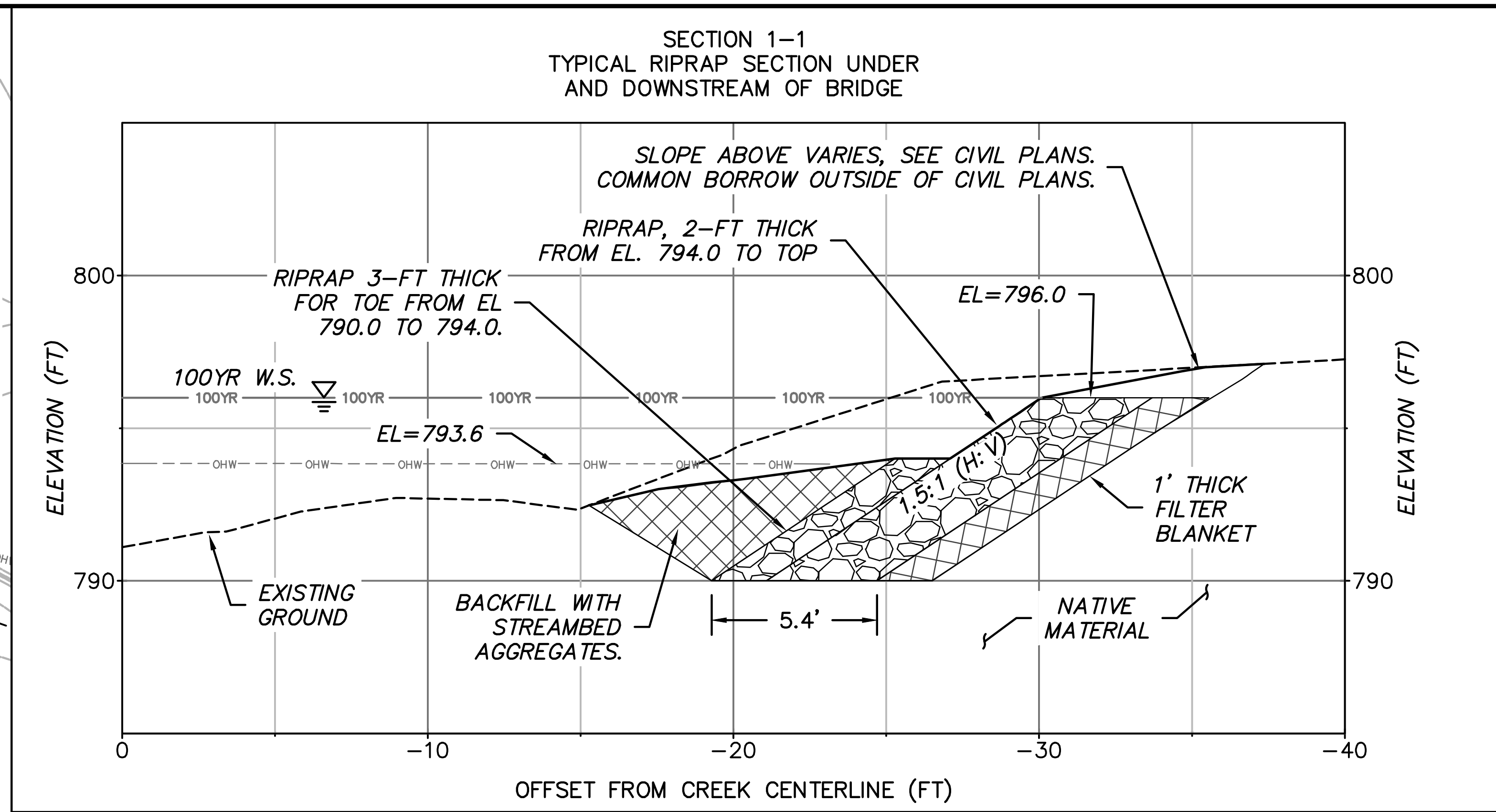
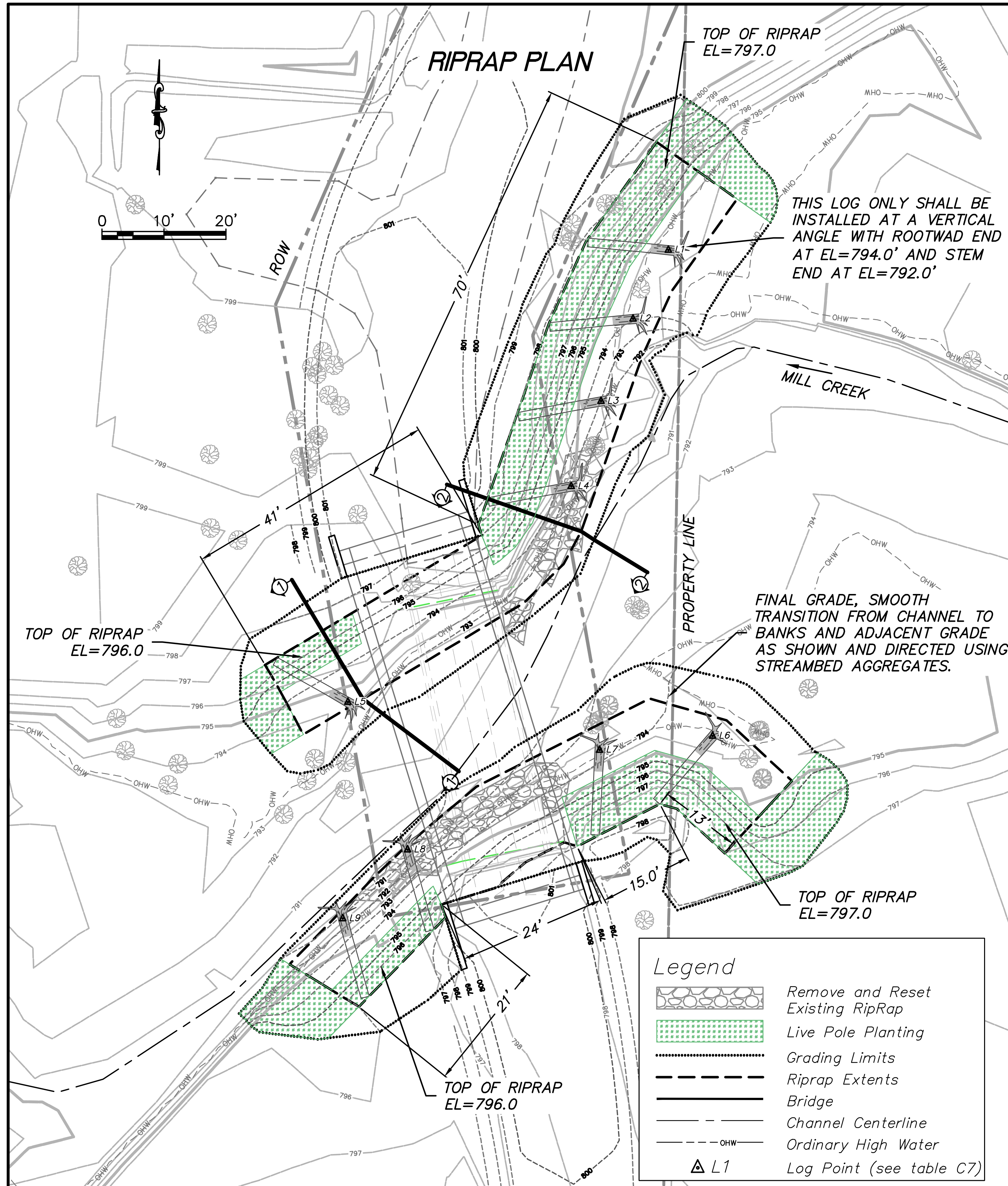
CALL 48 HOURS BEFORE YOU DIG

1-800-424-5555
'It's the Law'
Utilities Underground Location Center

kpff Consulting Engineers

612 Woodland Square Loop SE, Suite 100
Lacey, Washington 98503
(360) 292-7230 Fax (360) 292-7231

MARK R. STEEDY
STATE OF WASHINGTON
REGISTERED PROFESSIONAL ENGINEER
34888
07-02-2020



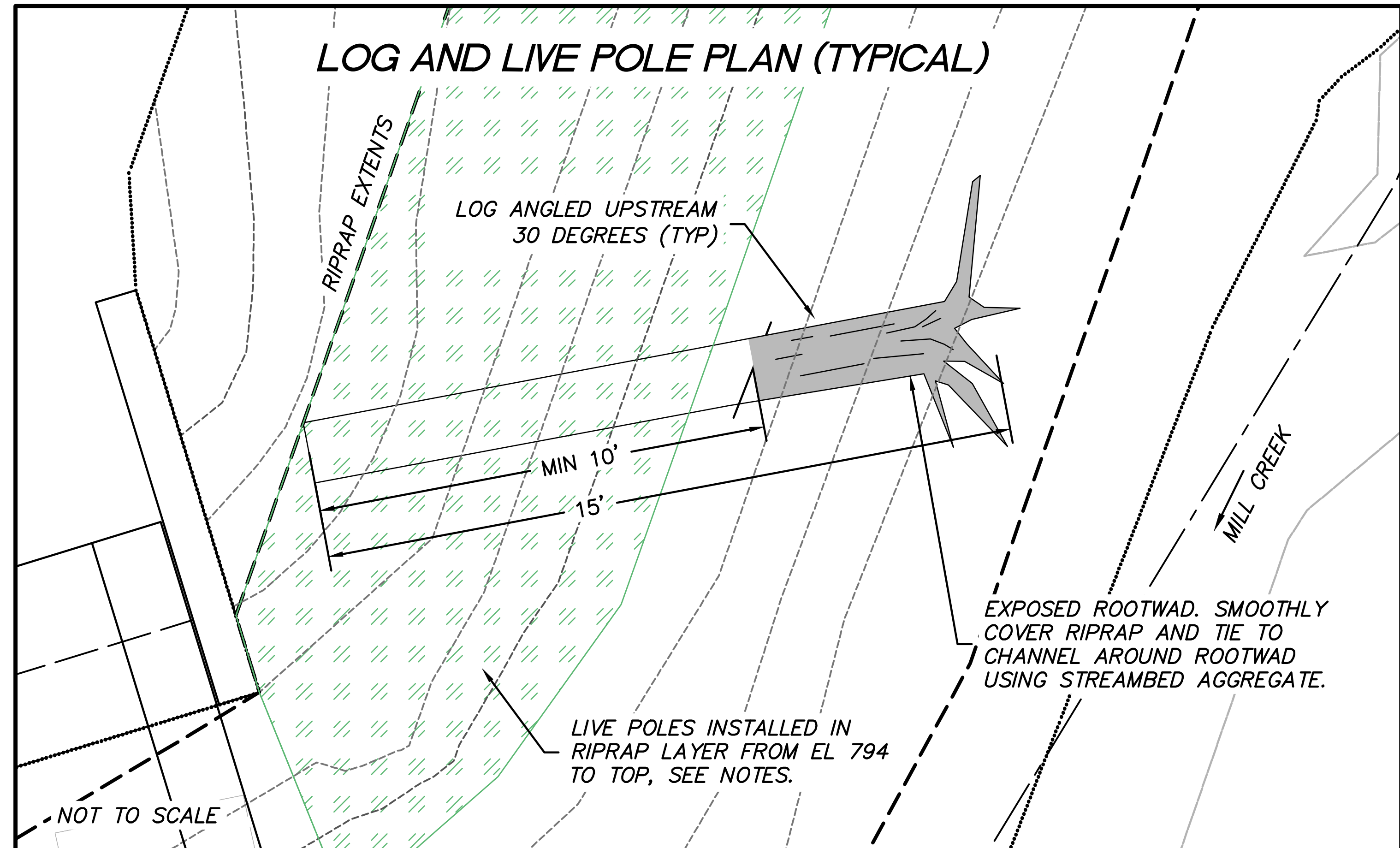
NOTE:

- SECTION VIEWS ON THIS SHEET ARE FACING DOWNSTREAM (TO THE SW)
- LIVE POLES AND LOGS NOT SHOWN ON RIPRAP SECTIONS. SEE LOG DETAILS AND NOTES SHEET.

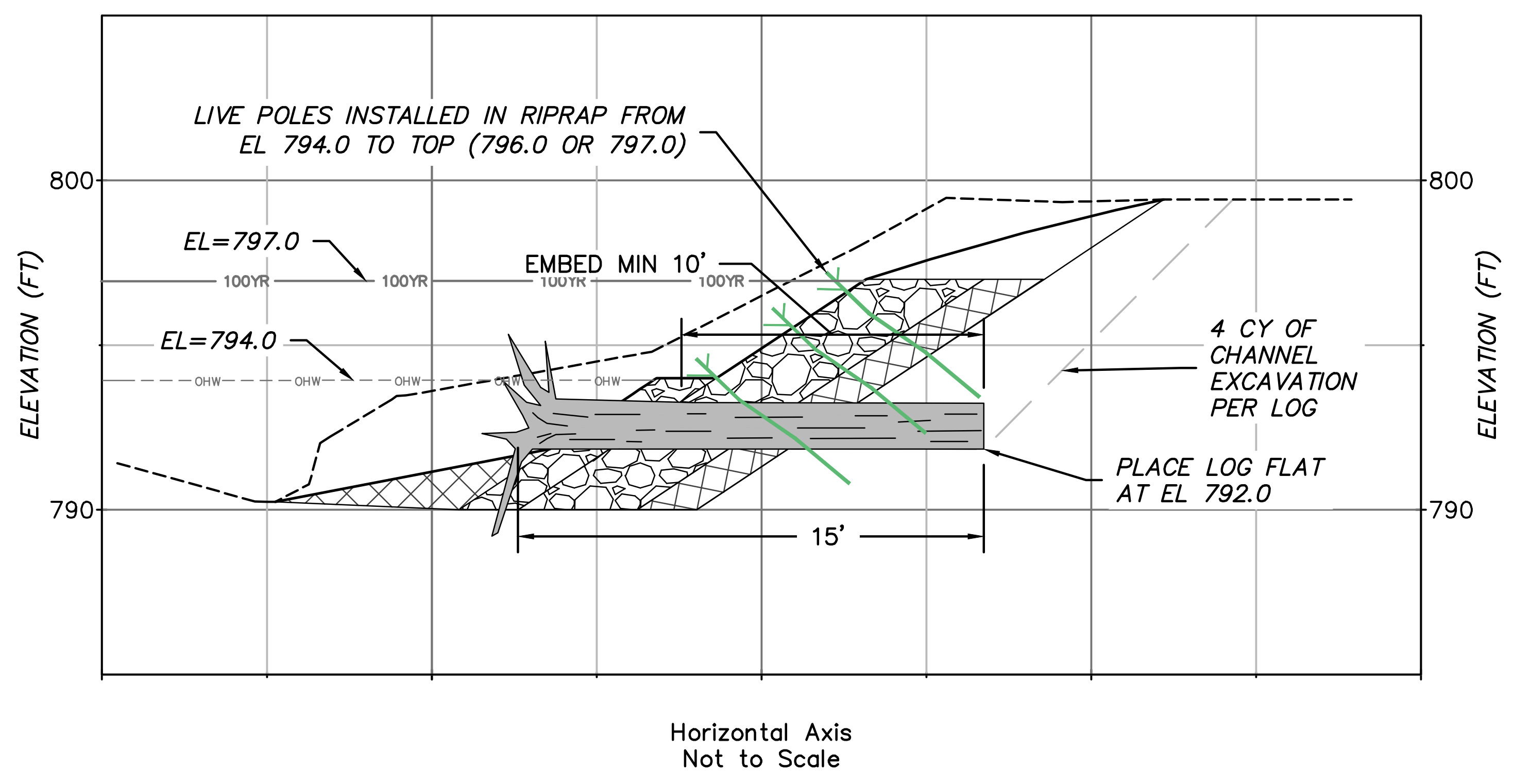
DESIGNED BY :	NO.	DATE	REVISION	BY	APP.
PJF					
DRAWN BY :					
MAE					
CHECKED BY :					
PJF					
DATE :					
7/2/20					



LOG AND LIVE POLE PLAN (TYPICAL)



TYPICAL LOG SECTION



Horizontal Axis
Not to Scale

SCOUR COUNTERMEASURE NOTES:

1. DIVERSION, ISOLATION AND DEWATERING
 - 1.1. REFER TO DIVERSION PLAN.
2. EXCAVATION
 - 2.1. EXCAVATION FOR THE RIPRAP PLAN AND CORRESPONDING FILTER BLANKET WILL BE PAID AS CHANNEL EXCAVATION INCL HAUL FOR THE DESIGN PLAN QUANTITIES, REFER TO STD SPEC 2-03.4.
 - 2.2. MINOR EXCAVATION (AS SHOWN IN TYPICAL LOG SECTION DETAIL) FOR THE PLACEMENT OF LOGS IS INCIDENTAL TO THE LOG. REFER TO SPECIAL PROVISION 8-15. THE MINOR EXCAVATION FOR THE PLACEMENT OF LOGS SHALL INCLUDE ASSOCIATED BACKFILL ADJACENT TO AND ABOVE THE LOG TO PREPARE THE SITE FOR THE FILTER BLANKET LAYER.
 - 2.3. DURING EXCAVATION FOR SCOUR COUNTERMEASURE PLAN 5 CY NATIVE MATERIAL SELECTED BY THE ENGINEER SHALL BE STOCKPILED ON-SITE. MATERIAL SHALL BE SANDS AND SMALL GRAVELS, WITH NO TOPSOIL, CLAY, OR DEBRIS. THE MATERIAL SHALL BE PRESERVED FOR USE IN SEALING THE CHANNEL BED, SEE STREAMBED AGGREGATE NOTE. THE MATERIAL SHALL BE PAID ONCE AS COMMON BORROW.
3. FILTER BLANKET
 - 3.1. ALL ROCK RIPRAP LAYERS SHALL BE UNDERLAIN BY A FILTER BLANKET FOR SEPARATION AS SHOWN. THE FILTER BLANKET SHALL CONSIST OF A 12" THICK LAYER OF STREAMBED AGGREGATES. THE FILTER BLANKET SHALL BE EXCAVATED AND PLACED PRIOR TO CONSTRUCTION OF THE ADJACENT RIPRAP LAYER.
4. RIPRAP
 - 4.1. ALL RIPRAP FOR THE SCOUR COUNTERMEASURE PLAN SHALL BE "LIGHT LOOSE" AS DESCRIBED IN SECTION 8-15 OF THE SPECIFICATIONS.
 - 4.2. SLOPES FOR RIPRAP SHALL BE NO STEEPER THAN 1.5 TO 1 (HORIZONTAL TO VERTICAL).
 - 4.3. RIPRAP SHALL BE INSTALLED WITH A MINIMUM THICKNESS OF 2.0 FEET AS MEASURED PERPENDICULAR TO THE SLOPE. THICKNESS SHALL BE INCREASED TO 3.0 FEET FOR THE TOE AS SHOWN IN THESE PLANS.
 - 4.4. EXISTING RIPRAP ON-SITE MAY BE STOCKPILED AND, IF APPROVED, MAY BE PLACED IN THE TOE SECTION OF THE RIPRAP LAYER.
 - 4.5. RIPRAP SHALL BE PLACED FROM ELEVATION 790.0' TO 797.0' UPSTREAM OF THE BRIDGE AS SHOWN. RIPRAP SHALL BE PLACED FROM ELEVATION 790.0' TO 796.0' UNDER THE BRIDGE AND DOWNSTREAM AS SHOWN.
5. LOGS
 - 5.1. LOGS ARE DESCRIBED IN SPECIAL PROVISION SECTION 8-15.
 - 5.2. LOGS INSTALLATION LOCATION WILL BE DIRECTED DURING CONSTRUCTION TO FIT STREAM AND BANK LOCATION ENCOUNTERED. GENERALLY, LOGS SHALL BE ORIENTED WITH THEIR ROOTWADS EXPOSED AND FACING UPSTREAM AS SHOWN.
6. LIVE POLES THROUGH RIPRAP
 - 6.1. LIVE POLES SHALL BE INSTALLED THROUGH ALL RIPRAP LAYERS ABOVE ELEVATION 794.0' EXCEPT DIRECTLY UNDER THE BRIDGE. LIVE POLES ARE DESCRIBED AS FOLLOWS IN THESE NOTES AND

- REFER TO SECTION 8-02.
- 6.2. LIVE POLES SHALL BE 6-7' LONG AND 1-3" DIAMETER, AND OTHERWISE MEET THE REQUIREMENTS OF SECTION 9-14.7.
- 6.3. THE LOWEST LAYER AT ELEVATION 794.0' SHALL CONSIST OF A NEAR EQUAL MIX OF THE FOLLOWING SPECIES:
 - 6.3.1. SITKA WILLOW (SALIX SITCHENSIS)
 - 6.3.2. HOOKER'S WILLOW (SALIX HOOKERIANA)
 - 6.3.3. RED-OSIER DOGWOOD (CORNUS SERICEA)
- 6.4. LIVE POLES AT OR ABOVE ELEVATION 795.0' SHALL BE SCOULER'S WILLOW (SALIX SCOULERIANA).
- 6.5. LIVE POLES SHALL BE EMBEDDED 3' BELOW THE RIPRAP LAYER (1' OF FILTER BLANKET LAYER AND 2' INTO THE NATIVE SOIL BEHIND RIPRAP). POLES SHALL BE ANGLED DOWNWARD INTO THE SOIL TOWARD THE GROUNDWATER TABLE. POLES SHALL BE PROTECTED FROM RIPRAP DURING CONSTRUCTION USING THE FOLLOWING METHOD:
 - 6.5.1. REFER TO DETAIL (THIS SHEET). LIVE POLE CUTTINGS SHALL BE INSTALLED THROUGH THE FILTER BLANKET AND INTO NATIVE SOIL. A SMALLER 1-2" PILOT HOLE MAY BE MADE IN THE UNDERLYING SOIL DEPENDING ON CONDITIONS ENCOUNTERED DURING PLANTING. THE CUTTING SHALL NOT BE DAMAGED DURING INSTALLATION, VISIBLE OR AUDIBLE CRACKING WILL NOT BE ACCEPTED. PACK 3-4" OF NATIVE SOIL OR TOPSOIL AROUND THE CUTTING AS TO FORM A SNUG SOIL BED THROUGH THE TOP OF THE RIPRAP. CUTTING SHOULD PROTRUDE A MINIMUM OF 12" FROM THE RIPRAP SURFACE.
 - 6.5.2. ALTERNATE INSTALLATION METHODS MAY BE SUBMITTED FOR REVIEW BY THE COUNTY, PROVIDING A MINIMUM OF 5 WORKING DAYS FOR COUNTY REVIEW. THE LIVE POLES OR RIPRAP SHALL NOT BE INSTALLED VIA ALTERNATE INSTALLATION METHODS PRIOR TO COUNTY APPROVAL OF THE METHOD IN WRITING. METHODOLOGY SHOULD FOLLOW THE INTEGRATED STREAMBANK PROTECTION GUIDELINES, OR OTHER SIMILAR REFERENCE.
7. FINISHED GRADE AT CHANNEL AND BANKS
 - 7.1. RIPRAP SHALL BE COVERED WITH STREAMBED AGGREGATES WHERE NECESSARY TO CONSTRUCT FINISHED GRADE CONTOURS SHOWN ON PLANS. SMOOTH CONNECTIONS SHALL BE CONSTRUCTED TO THE SURROUNDING GRADE AS SHOWN OR AS DIRECTED. GRADING SHALL NOT BE PERFORMED TO RAISE THE CHANNEL THALWEG. ALL GRADING WATERWARD OF RIPRAP SHALL USE STREAMBED AGGREGATES.
8. STREAMBED AGGREGATES
 - 8.1. STREAMBED AGGREGATES SHALL CONSISTS OF A WELL GRADED MIXTURE OF 20% BY VOLUME STREAMBED SEDIMENT AND 80% BY VOLUME 6" STREAMBED COBBLES. REFER TO SPECIAL PROVISION 8-15 FOR REQUIREMENTS. THE STREAMBED AGGREGATES SHALL BE PREMIXED TO A UNIFORM MIXTURE PRIOR TO PLACEMENT. THE MATERIAL WILL BE VISUALLY INSPECTED BY THE ENGINEER OR COUNTY PRIOR TO PLACEMENT AND IF SO ORDERED, THE CONTRACTOR SHALL DUMP INDIVIDUAL LOADS ON A CLEAN FLAT SURFACE TO SAMPLE GRADATION. IF THE LOAD DOES NOT MEET THE REQUIRED GRADATION, THEN ADDITIONAL STREAMBED SEDIMENT OR 6" STREAMBED COBBLES SHALL BE ADDED TO THE LOAD AND THE LOAD SHALL BE REMIXED UNTIL THE LOAD MEETS GRADATION REQUIREMENTS.
 - 8.2. SUBSEQUENT TO INSTALLATION OF LOGS, RIPRAP AND STREAMBED AGGREGATE LAYERS, THE CHANNEL BED WILL BE SEALED AND WASHED WITH THE STOCKPILED MATERIAL FROM NOTE 2.3. REFER TO SPECIAL PROVISION SECTION 8-15.

TYPICAL LIVE POLE DETAIL

NOT TO SCALE

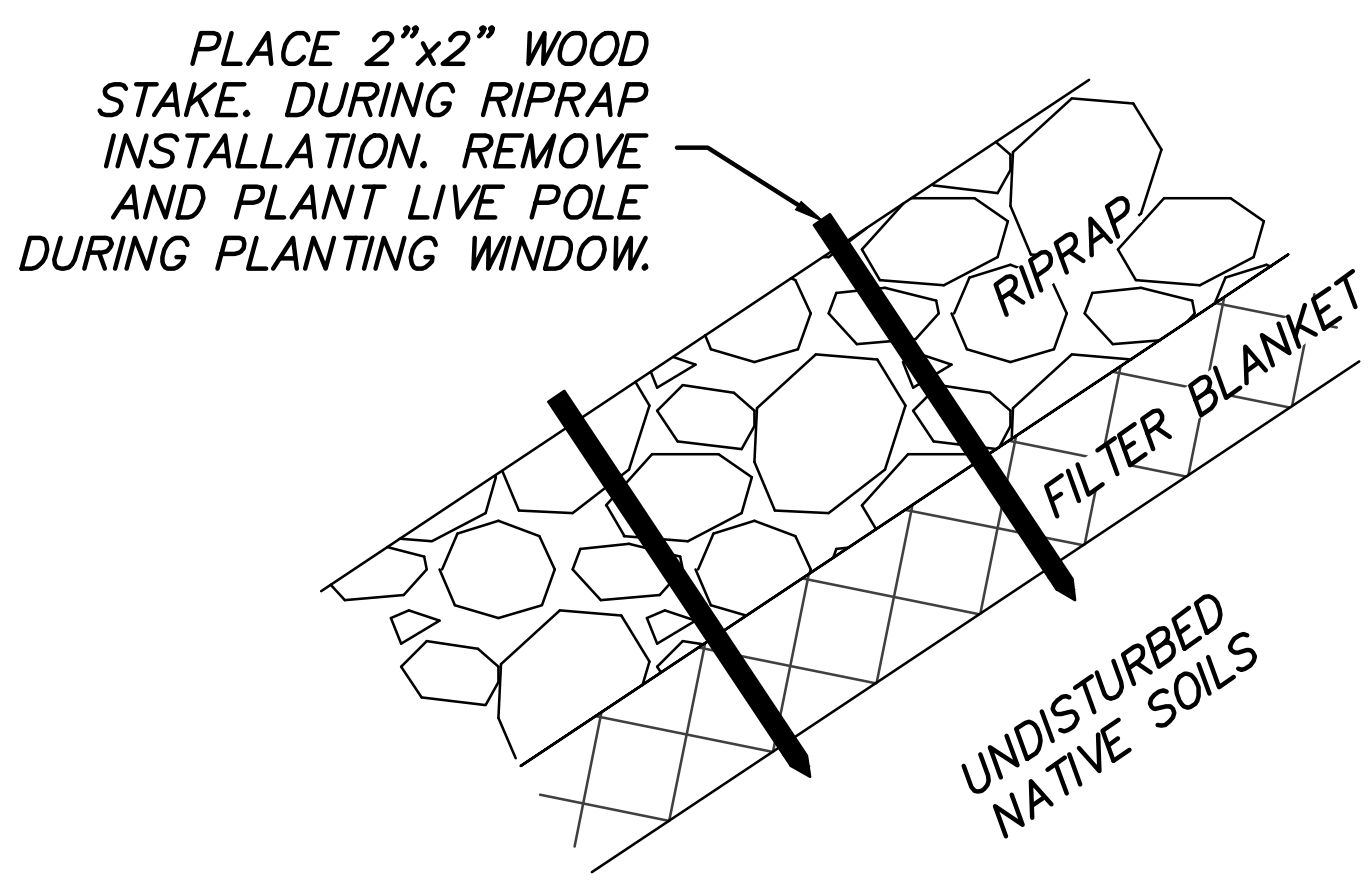


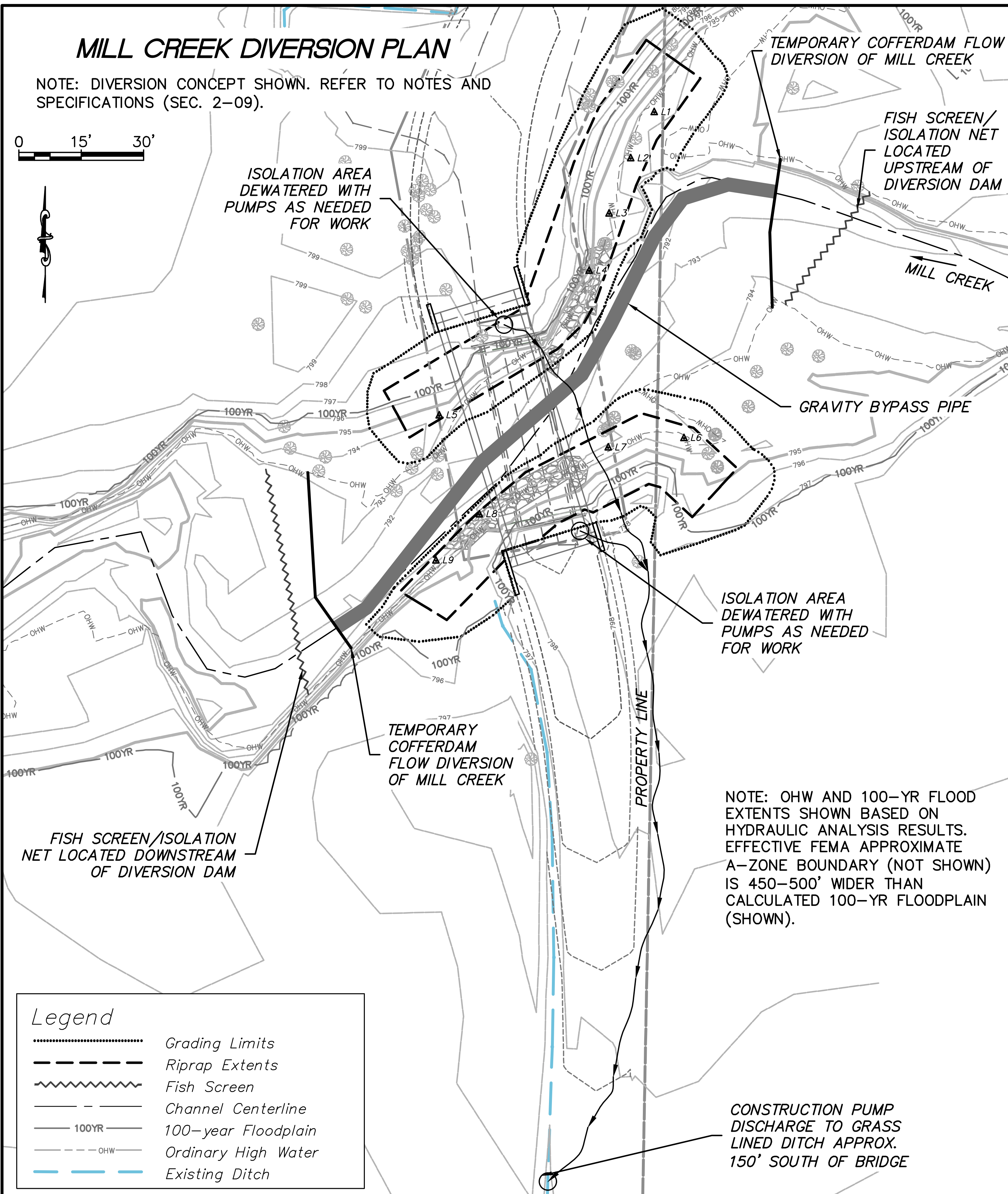
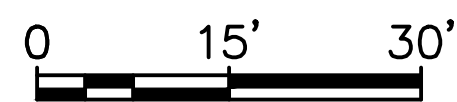
TABLE OF LOG LOCATIONS (SHEET C6)

Point #	Raw Description	Easting	Northing
L1		1125958.3	465842.3
L2		1125952.6	465831.2
L3		1125947.4	465817.9
L4		1125942.6	465804.2
L5		1125906.6	465769.4
L6		1125965.4	465763.9
L7		1125947.2	465761.7
L8		1125916.2	465745.6
L9		1125905.7	465734.5

NO.	DATE	REVISION	BY	APP.

MILL CREEK DIVERSION PLAN

NOTE: DIVERSION CONCEPT SHOWN. REFER TO NOTES AND SPECIFICATIONS (SEC. 2-09).



DIVERSION, ISOLATION AND DEWATERING NOTES

1. WORKSITE SHALL BE ISOLATED FROM STREAMFLOW AND A TEMPORARY DIVERSION/BYPASS CONSTRUCTED PRIOR TO PERFORMING ANY CONSTRUCTION ACTIVITIES WITHIN OHW. REFER TO SPECIAL PROVISION SECTION 2-09, OTHER PLANS, PERMITS AND SPECIFICATIONS FOR DETAILS AND ADDITIONAL REQUIREMENTS. DEWATERING BELOW AMBIENT GROUNDWATER LEVELS WILL NOT BE REQUIRED FOR PURPOSE OF THE SCOUR COUNTERMEASURES, HOWEVER DEWATERING SHALL BE PERFORMED FOR BRIDGE FOUNDATION CONSTRUCTION AS REQUIRED, SEE ELSEWHERE IN PLANS AND SPECIFICATIONS.

NOTE: OHW AND 100-YR FLOOD EXTENTS SHOWN BASED ON HYDRAULIC ANALYSIS RESULTS. EFFECTIVE FEMA APPROXIMATE A-ZONE BOUNDARY (NOT SHOWN) IS 450-500' WIDER THAN CALCULATED 100-YR FLOODPLAIN (SHOWN).

CONSTRUCTION PUMP DISCHARGE TO GRASS LINED DITCH APPROX. 150' SOUTH OF BRIDGE

Legend	
	Grading Limits
	Riprap Extents
	Fish Screen
	Channel Centerline
	100-year Floodplain
	Ordinary High Water
	Existing Ditch

2025 N. E. KRESKY AVE.
CHEHALIS WA 98532
PHONE # (360) 740-1123
FAX # (360) 740-2719

DESIGNED BY: PJF
DRAWN BY: MAE
CHECKED BY: PJF
DATE: 7/2/20

NO.	DATE	REVISION	BY	APP.

TOWNSEND BRIDGE #223 REPLACEMENT

COUNTY ROAD PROJECT NO: 2186
SCOUR COUNTERMEASURES DIVERSION PLAN

C8
10 OF 28



INDICATOR ENGINEERING PLLC
7511 Greenwood Ave N #605
Seattle, WA, 98103
206-651-5103 www.indicatoren.com

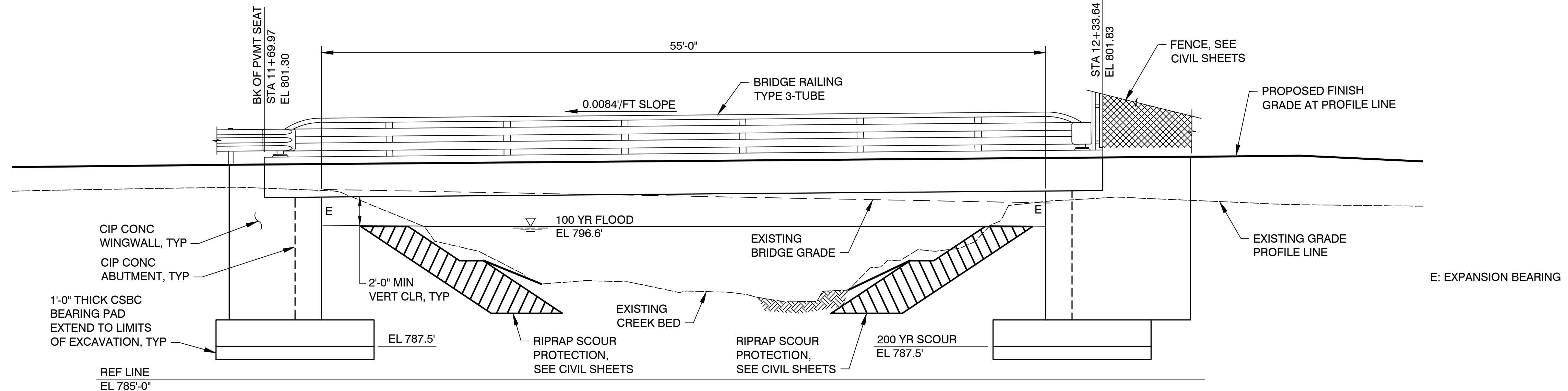
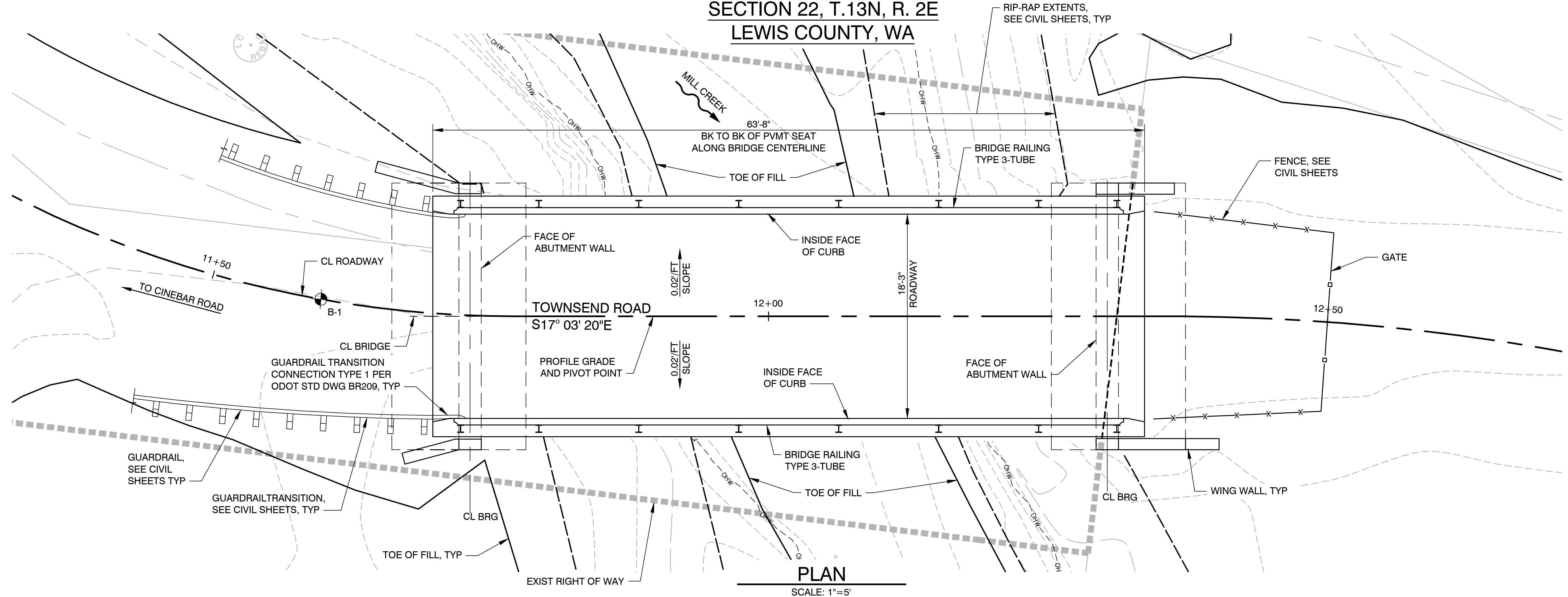


7/2/2020

8/6/2020 5:13 PM

\\kpf.com\dfs\Bridges\1900139 (Townsend Road Bridge Replacement)\Design (v2019)\S1.dwg

SECTION 22, T.13N, R. 2E
LEWIS COUNTY, WA



DATUM:
VERTICAL: NAVD88
HORIZONTAL: NAD 83/91
PRECAST PRESTRESSED
2'-6" VOIDED SLAB GIRDER
LOADING: HL-93

2025 N. E. KRESKY AVE.
CHEHALIS WA 98532
PHONE # (360) 740-1123
FAX # (360) 740-2719

DESIGNED BY : D.K
DRAWN BY : S.Q
CHECKED BY : G.H
DATE : 7/2/2020

NO.	DATE	REVISION	BY	APP.

TOWNSEND BRIDGE #223
REPLACEMENT

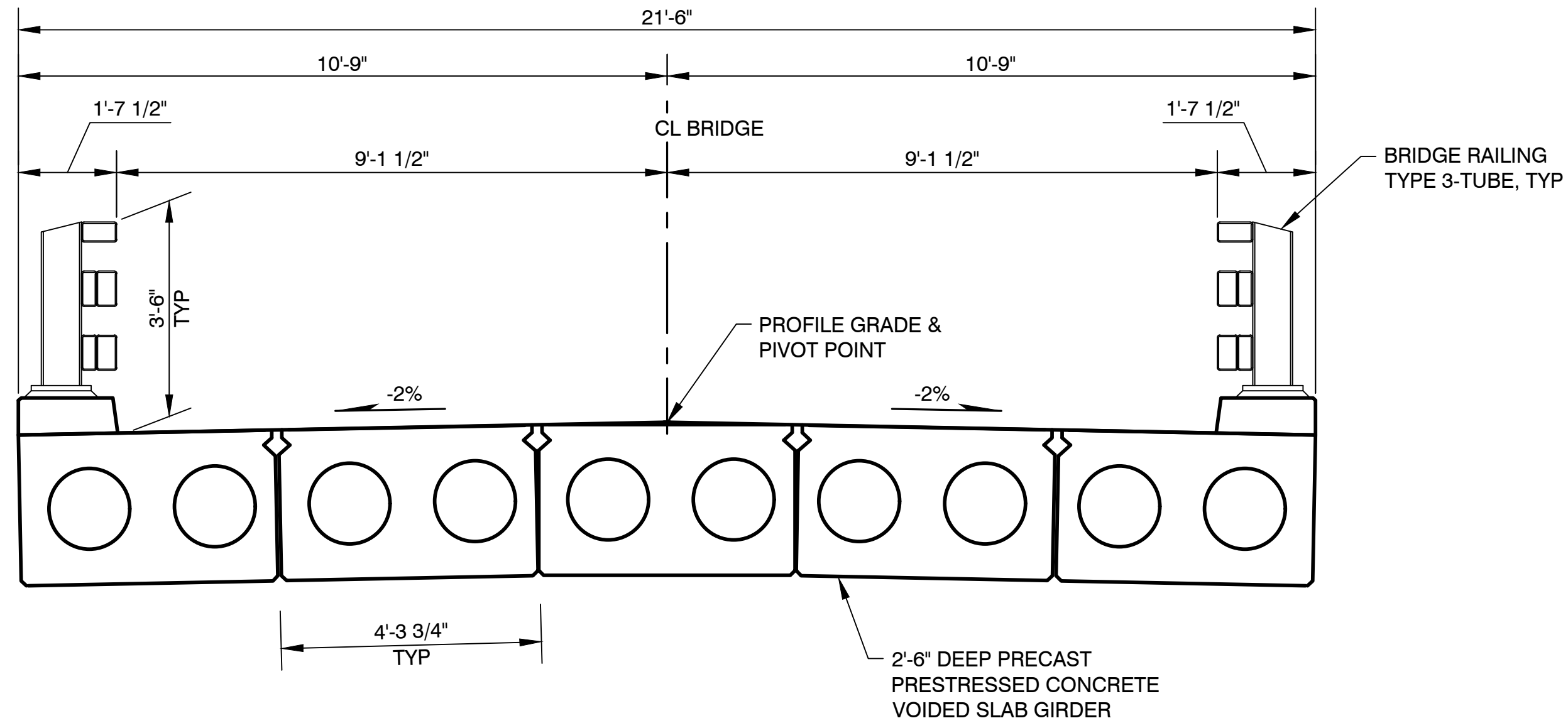
COUNTY ROAD PROJECT NO: 2186
BRIDGE PLAN AND ELEVATION

S1
11
OF
28

CALL 48 HOURS BEFORE YOU DIG
1-800-424-5555
"It's the Law"
Utilities Underground Location Center

1601 5th Avenue, Suite 1600
Seattle, WA 98101
206.622.5822
www.kpff.com

PROFESSIONAL ENGINEER
7/2/20



TYPICAL SECTION
SCALE: 1/2" = 1'-0"

GENERAL NOTES

- ALL MATERIAL AND WORKMANSHIP SHALL BE IN ACCORDANCE WITH THE WASHINGTON STATE DEPARTMENT OF TRANSPORTATION "STANDARD SPECIFICATIONS FOR ROAD, BRIDGE, AND MUNICIPAL CONSTRUCTION" DATED 2020.
- THE STRUCTURE HAS BEEN DESIGNED IN ACCORDANCE WITH THE REQUIREMENTS OF THE AASHTO LRFD BRIDGE DESIGN SPECIFICATIONS EIGHTH EDITION - DATED 2017 (AASHTO LRFD).
- SEISMIC DESIGN OF THE STRUCTURE HAS BEEN COMPLETED USING

PGA	=	0.327G
As	=	0.351G
S _{DS}	=	0.818G
S _{D1}	=	0.394G
SITE CLASS	=	C
- DESIGN LOADS:

DEAD LOAD:	
CONCRETE	- 155 PCF
SUPERIMPOSED LOAD FOR FUTURE WEARING SURFACE	- 35 PSF
LIVE LOAD:	
VEHICLE	- AASHTO HL-93 W/ IMPACT
- THE BACKFILL BEHIND THE ABUTMENT MAY BE PLACED PRIOR TO PLACEMENT OF SUPERSTRUCTURE.
- UNLESS OTHERWISE SHOWN IN THE PLANS THE CONCRETE COVER MEASURED FROM THE FACE OF THE CONCRETE TO THE FACE OF ANY REINFORCING STEEL SHALL BE THREE INCHES AT THE BOTTOM OF THE FOOTINGS, TWO INCHES AT THE TOP OF THE FOOTINGS, AND ONE AND A HALF INCHES AT ALL OTHER LOCATIONS.
- CAST-IN-PLACE CONCRETE SHALL BE CLASS 4000.
- ALL STEEL REINFORCEMENT SHALL MEET THE REQUIREMENTS OF STANDARD SPECIFICATIONS SECTION 9-07.2
- ALL EXTERIOR CORNERS AND EDGES SHALL HAVE A 3/4" CHAMFER AND ALL INTERIOR CORNERS SHALL HAVE A 3/4" FILLET, UNLESS SHOWN OTHERWISE.
- ALL DIMENSIONS AND ELEVATIONS SHALL BE VERIFIED IN THE FIELD BY THE CONTRACTOR.
- THE GEOTECHNICAL TECHNICAL MEMORANDUM PROVIDED BY LANDAU ASSOCIATES INC., DATED OCTOBER 9, 2019, WAS USED FOR DESIGN.
- THE HYDRAULIC TECHNICAL MEMO PROVIDED BY INDICATOR ENGINEERING PLLC, DATED APRIL 24, 2020, WAS USED FOR DESIGN.

Lewis County
Department of Public Works
2025 N. E. KRESKY AVE.
CHEHALIS WA 98532
PHONE # (360) 740-1123
FAX # (360) 740-2719

DESIGNED BY : D.K
DRAWN BY : S.Q
CHECKED BY : G.H
DATE : 7/2/2020

NO.	DATE	REVISION	BY	APP.

TOWNSEND BRIDGE #223 REPLACEMENT

COUNTY ROAD PROJECT NO: 2186
TYPICAL SECTION

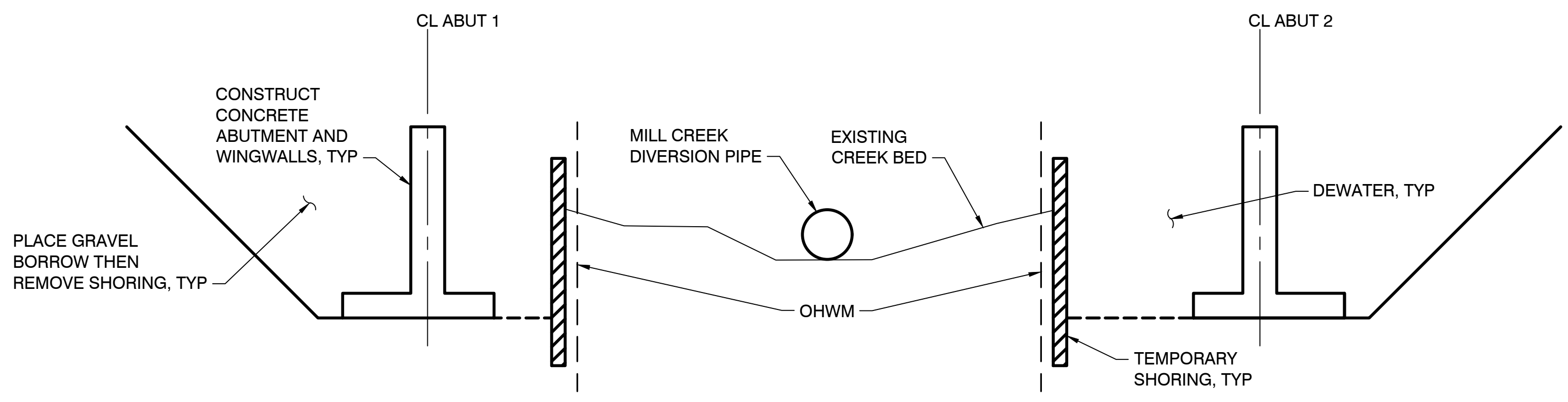
S2
12
OF
28

CALL 48 HOURS BEFORE YOU DIG
1-800-424-5555
"It's the Law"
Utilities Underground Location Center

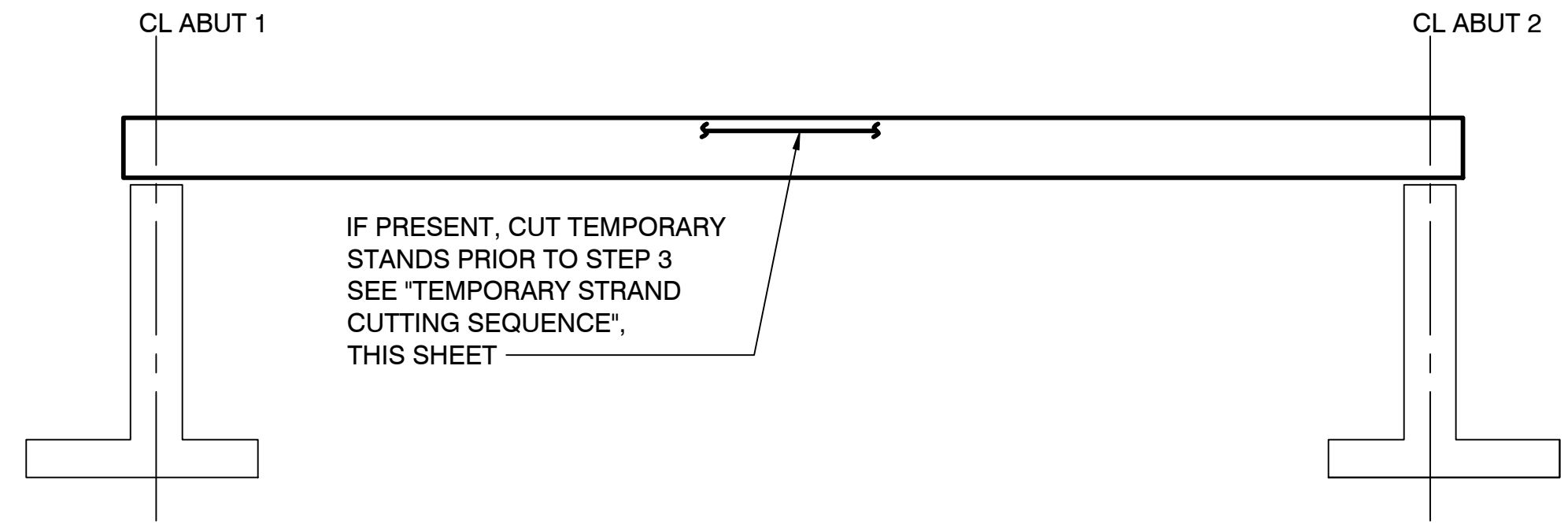
kpff
1601 5th Avenue, Suite 1600
Seattle, WA 98101
206.622.5822
www.kpff.com
Date: _____

GREGORY HAYES
STATE OF WASHINGTON
40827
PROFESSIONAL ENGINEER
7/2/20

7/2/2020 9:23 AM



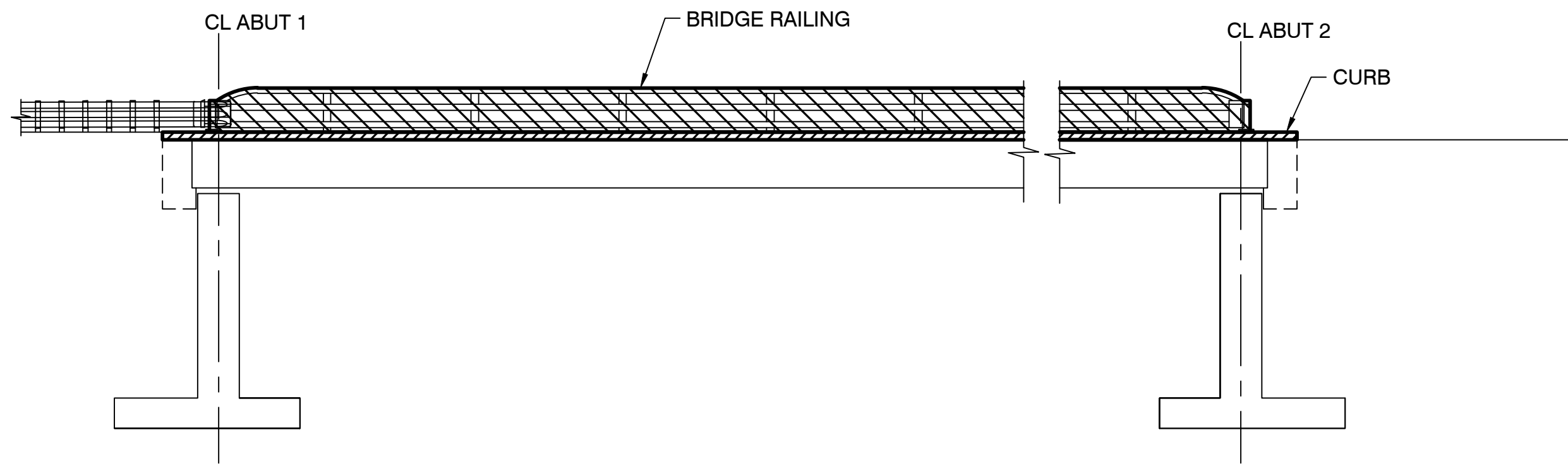
STEP 1 - EXCAVATE AND INSTALL TEMPORARY SHORING, CONSTRUCT ABUTMENTS AND WALLS, THEN PLACE BACKFILL AND REMOVE SHORING



STEP 2 - SET GIRDERS IN PLACE



STEP 3 - CAST END DIAPHRAGMS



STEP 4 - PLACE BRIDGE RAILING AND CURB

TEMPORARY STRAND CUTTING SEQUENCE

1. ERECT GIRDERS.
2. REMOVE EXPANDED POLYSTYRENE FROM RECESSES IN TOP OF GIRDERS.
3. CUT STRAND AND PLASTIC SLEEVE IN RECESS.
4. REMOVE ALL MOISTURE IN RECESSES PRIOR TO FILLING RECESSES WITH GROUT.

V:\1900139 (Townsend Road Bridge Replacement)\Design (v2019)\S3.dwg

Lewis County
 2025 N. E. KRESKY AVE.
 CHEHALIS WA 98532
 PHONE # (360) 740-1123
 FAX # (360) 740-2719
 Department of Public Works

DESIGNED BY : D.K
 DRAWN BY : S.Q
 CHECKED BY : G.H
 DATE : 7/2/2020

NO.	DATE	REVISION	BY	APP.

TOWNSEND BRIDGE #223 REPLACEMENT

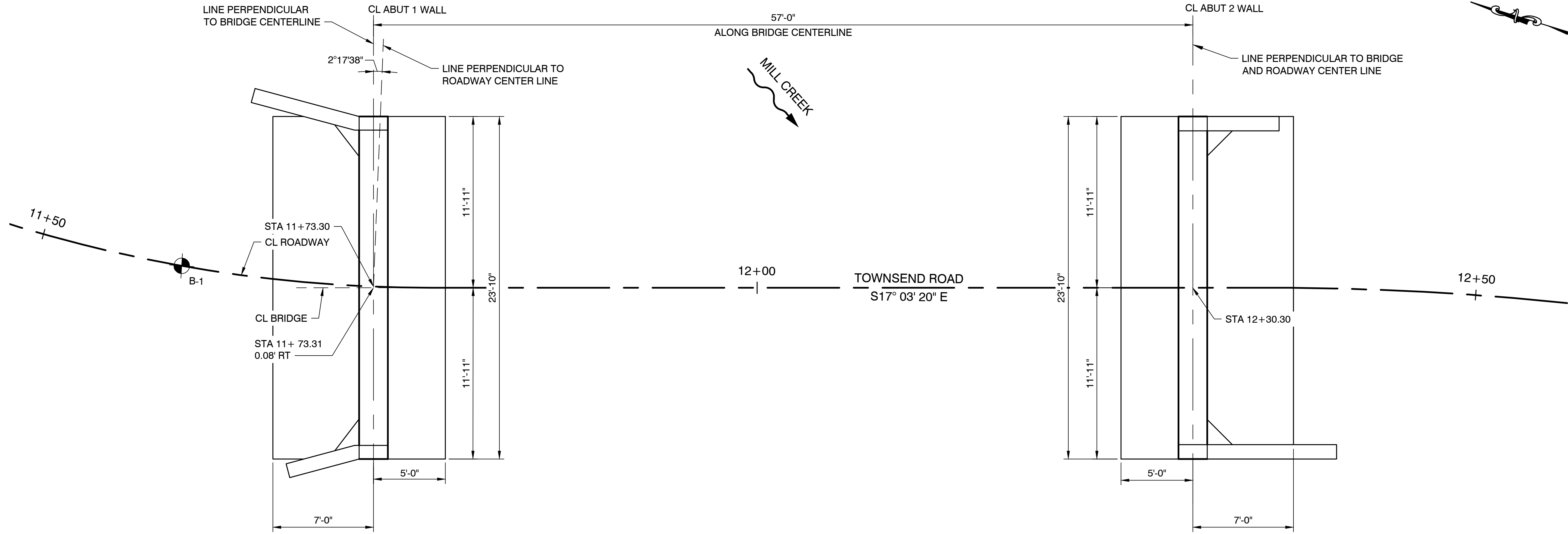
COUNTY ROAD PROJECT NO: 2186
 PROPOSED CONSTRUCTION SEQUENCE

S3
13
 OF
28

CALL 48 HOURS BEFORE YOU DIG
 1-800-424-5555
 "It's the Law"
 Utilities Underground Location Center

kpff
 1601 5th Avenue, Suite 1600
 Seattle, WA 98101
 206.622.5822
 www.kpff.com
 Date: _____





FOUNDATION PLAN
SCALE: 1/4" = 1'-0"

Lewis County
Department of Public Works
2025 N. E. KRESKY AVE.
CHEHALIS WA 98532
PHONE # (360) 740-1123
FAX # (360) 740-2719

DESIGNED BY : D.K
DRAWN BY : S.Q
CHECKED BY : G.H
DATE : 7/2/2020

NO.	DATE	REVISION	BY	APP.

**TOWNSEND BRIDGE #223
REPLACEMENT**

COUNTY ROAD PROJECT NO: 2186
FOUNDATION LAYOUT

S4
14
OF
28

CALL 48 HOURS BEFORE YOU DIG
1-800-424-5555
"It's the Law"
Utilities Underground Location Center

kpff
1601 5th Avenue,
Seattle, WA 98101
206.622.5822
www.kpff.com
Date: _____

GREGORY HAYES
STATE OF WASHINGTON
40827
PROFESSIONAL ENGINEER
7/2/20

8/7/2020 8:17 AM

\\kpf.com\dfs\Bridges\1900139 (Townsend Road Bridge Replacement)\Design (v2019)\S5.dwg

TOP OF GROUT PAD ELEVATIONS

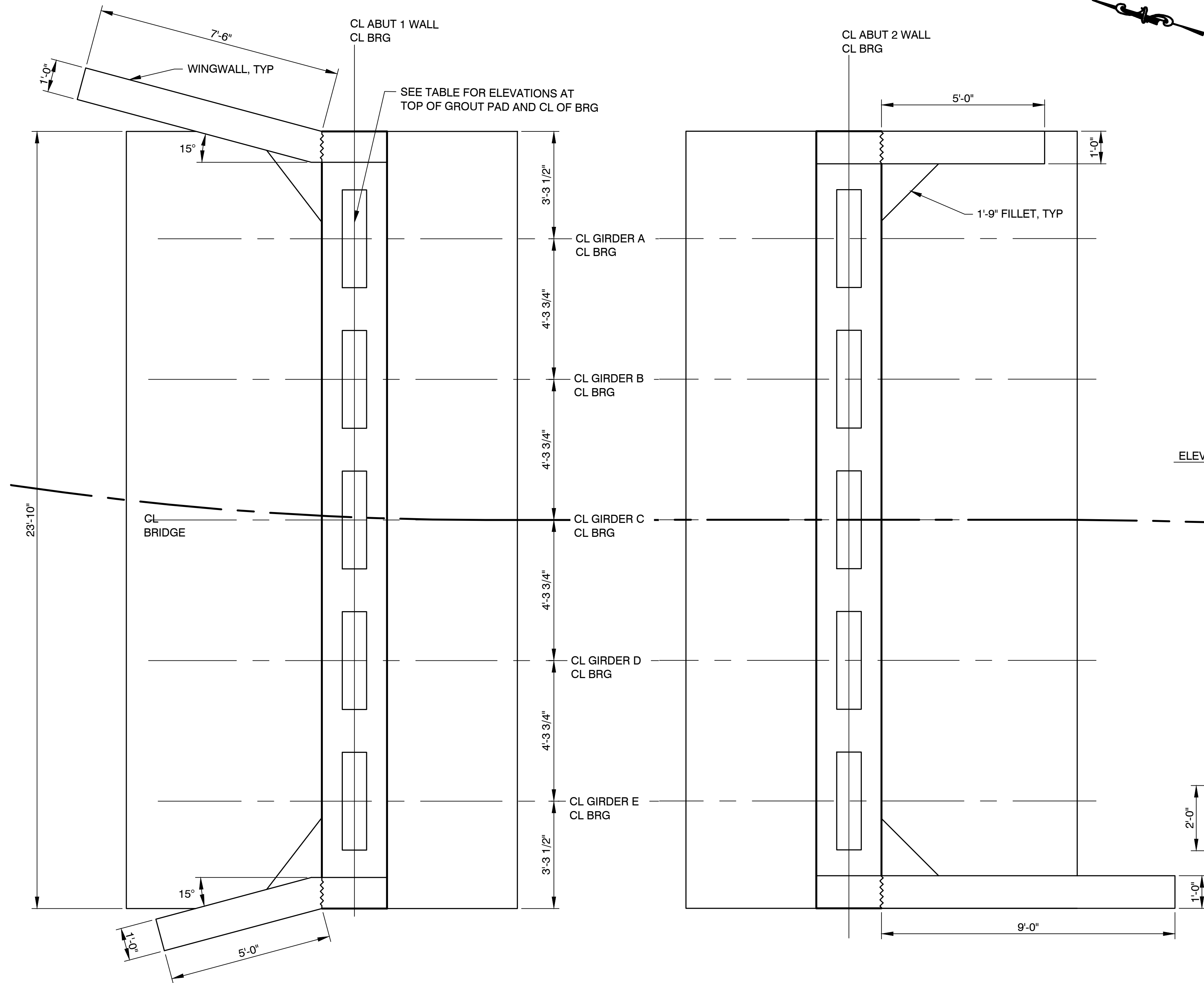
ELEVATION AT CL GIRDER AND CL ABUT WALL

GIRDER	A	B	C	D	E
ABUT 1 ELEV	798.61	798.70	798.78	798.70	798.61
ABUT 2 ELEV	799.09	799.17	799.26	799.17	799.09

TOP OF ABUTMENT ELEVATIONS

ELEVATION AT CL ABUT WALL

ABUTMENT	ELEV A	ELEV B	ELEV C
1	798.44	798.66	798.44
2	798.92	799.14	798.92

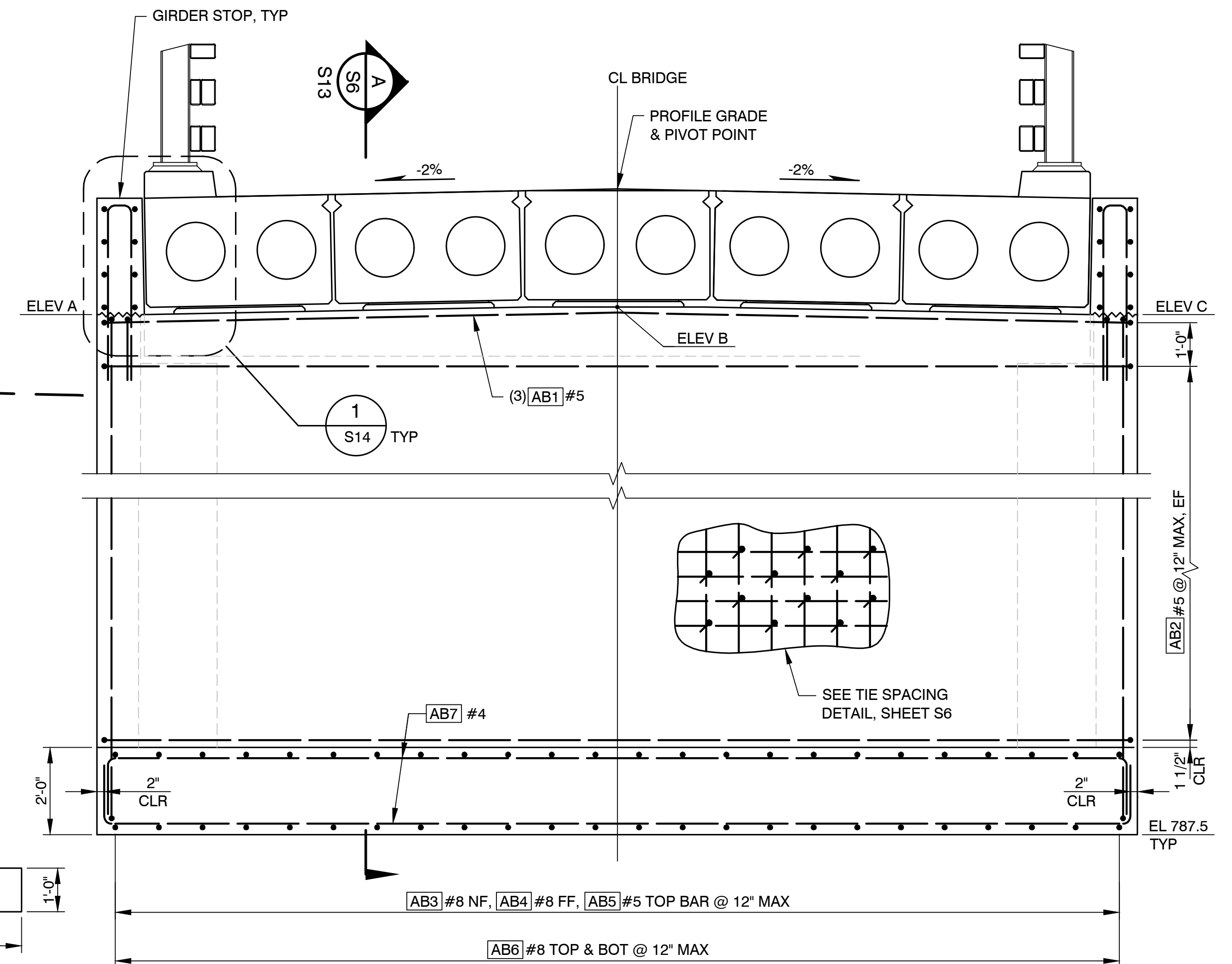


ABUTMENT 1 PLAN

SCALE: 1/2" = 1'-0"

ABUTMENT 2 PLAN

SCALE: 1/2" = 1'-0"



TYPICAL ABUTMENT ELEVATION

SCALE: 1/2" = 1'-0"

Lewis County
 Department of Public Works
 2025 N. E. KRESKY AVE.
 CHEHALIS WA 98532
 PHONE # (360) 740-1123
 FAX # (360) 740-2719

DESIGNED BY : D.K
 DRAWN BY : S.Q
 CHECKED BY : G.H
 DATE : 7/2/2020

NO.	DATE	REVISION	BY	APP.

**TOWNSEND BRIDGE #223
 REPLACEMENT**

COUNTY ROAD PROJECT NO: 2186

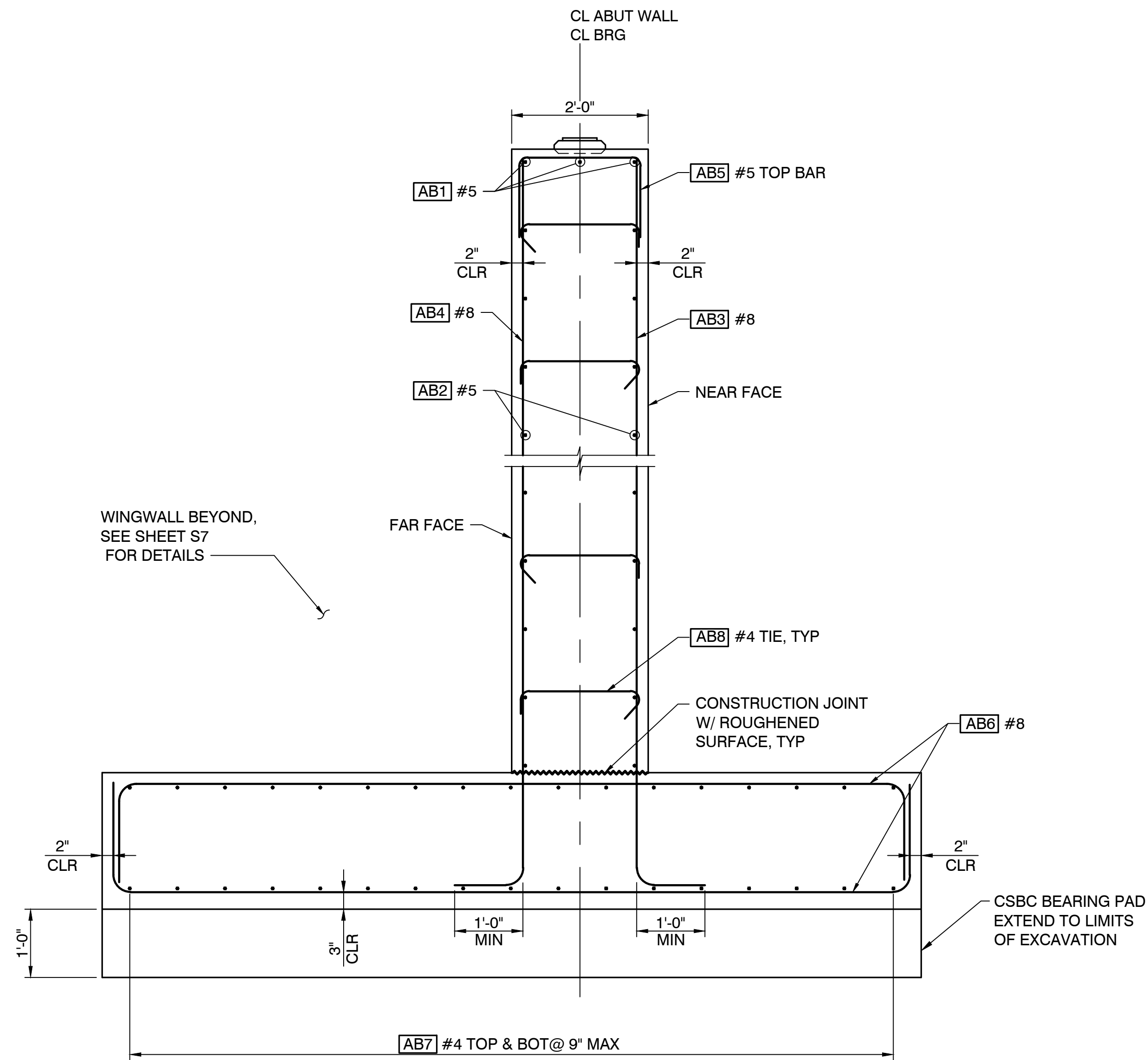
ABUTMENT PLAN AND ELEVATION

S5
15
 OF
28

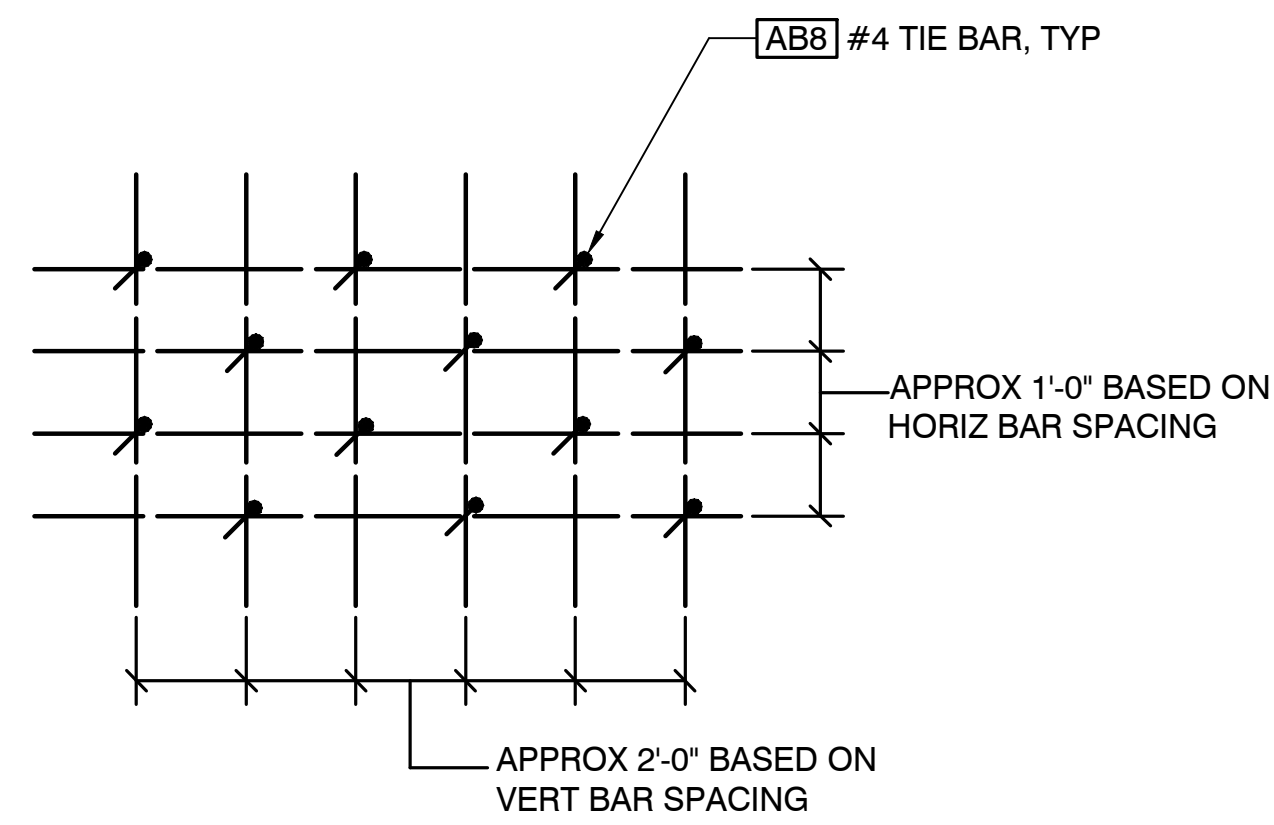
CALL 48 HOURS
 BEFORE YOU DIG
 1-800-424-5555
 "It's the Law"
 Utilities
 Underground
 Location Center

kpf
 1601 5th Avenue,
 Suite 1600
 Seattle, WA 98101
 206.622.5822
 www.kpff.com
 Date: _____

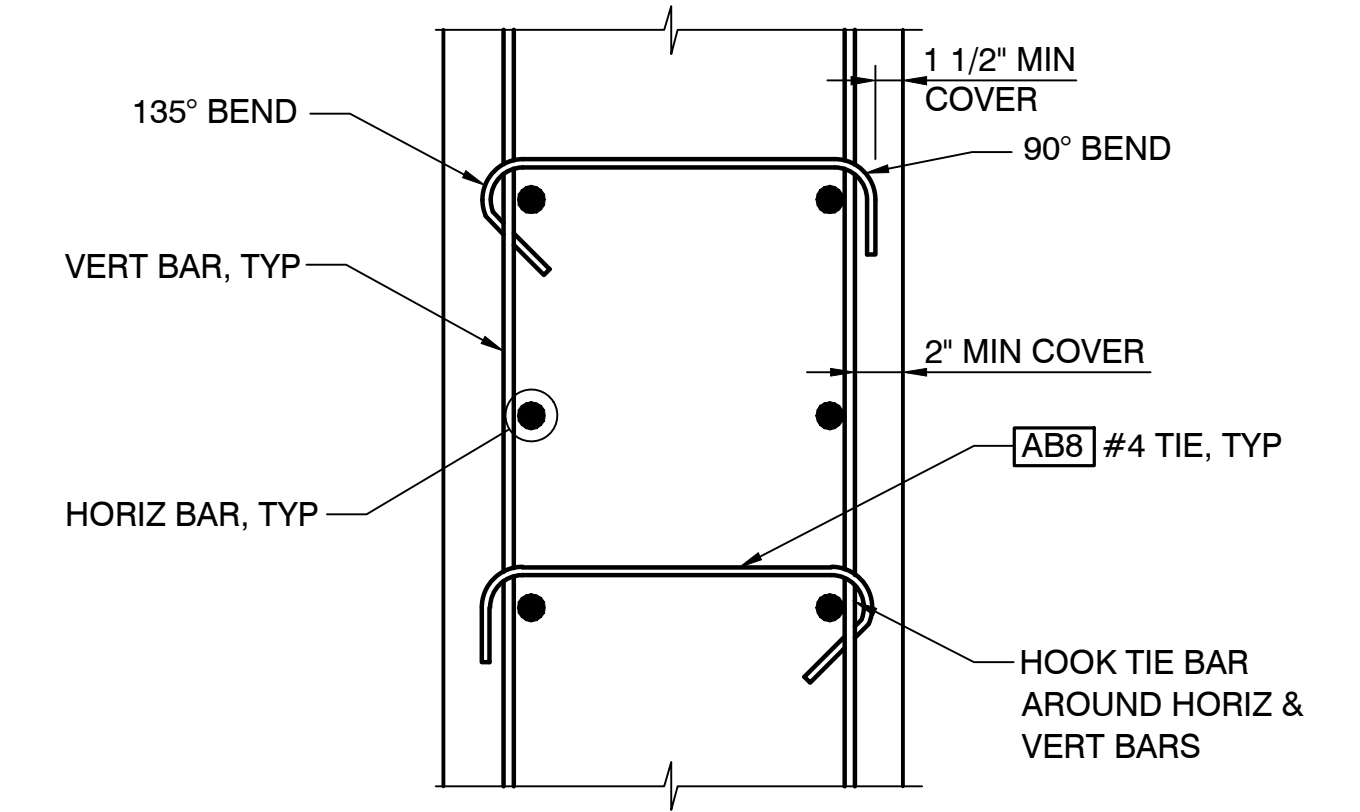
GREGORY HARRIS
 STATE OF WASHINGTON
 PROFESSIONAL ENGINEER
 40827
 7/2/20



SECTION A
SCALE: 3/4" = 1'-0"

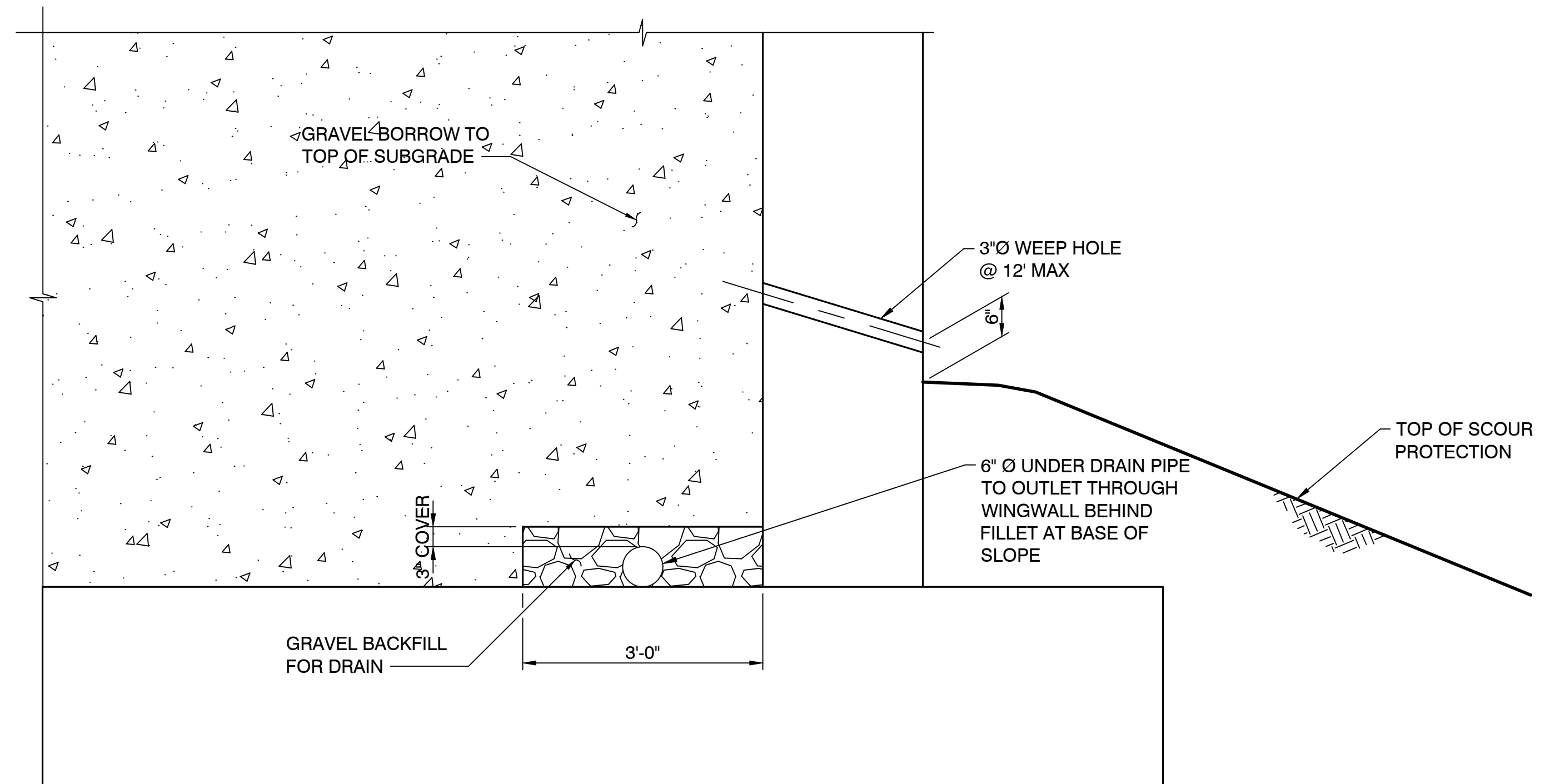


ELEVATION TIE SPACING DETAIL
NTS



NOTE: ALTERNATE HOOKS EVERY OTHER TIE BAR (HORIZ & VERT)

TIE BAR DETAIL
NTS



DRAINAGE DETAIL
NTS

Lewis County
Department of Public Works
2025 N. E. KRESKY AVE.
CHEHALIS WA 98532
PHONE # (360) 740-1123
FAX # (360) 740-2719

DESIGNED BY : D.K
DRAWN BY : S.Q
CHECKED BY : G.H
DATE : 7/2/2020

NO.	DATE	REVISION	BY	APP.

**TOWNSEND BRIDGE #223
REPLACEMENT**

COUNTY ROAD PROJECT NO: 2186

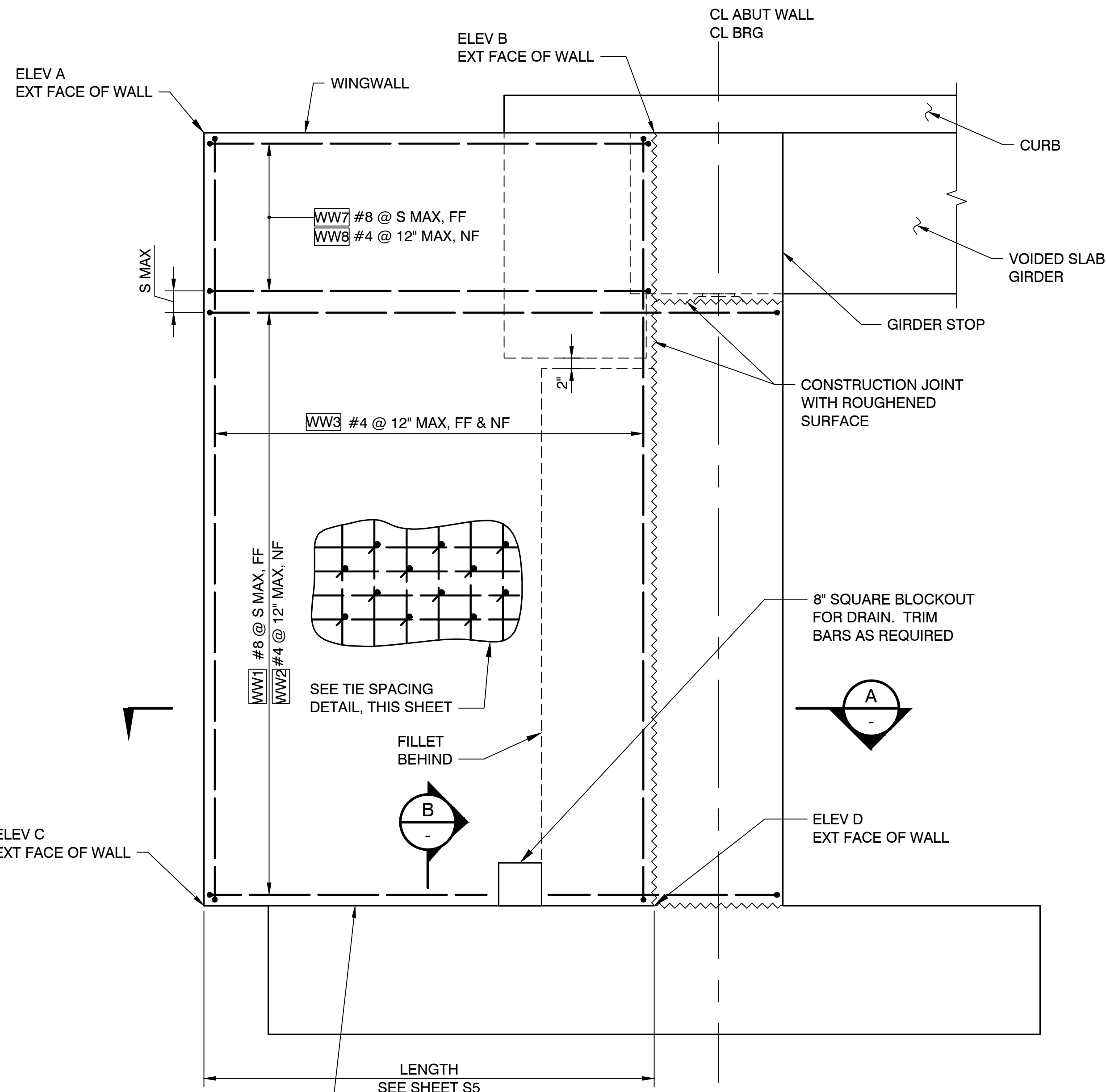
ABUTMENT DETAILS

S6
16
OF
28

CALL 48 HOURS BEFORE YOU DIG
1-800-424-5555
"It's the Law"
Utilities Underground Location Center

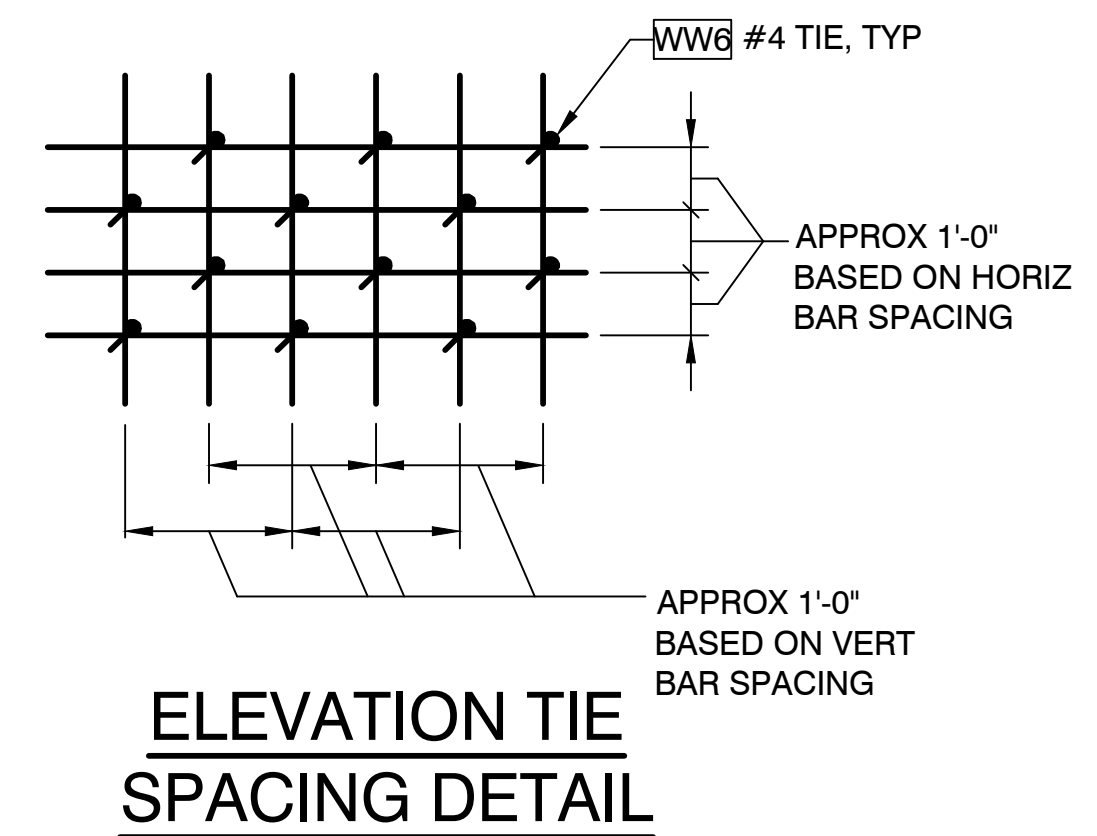
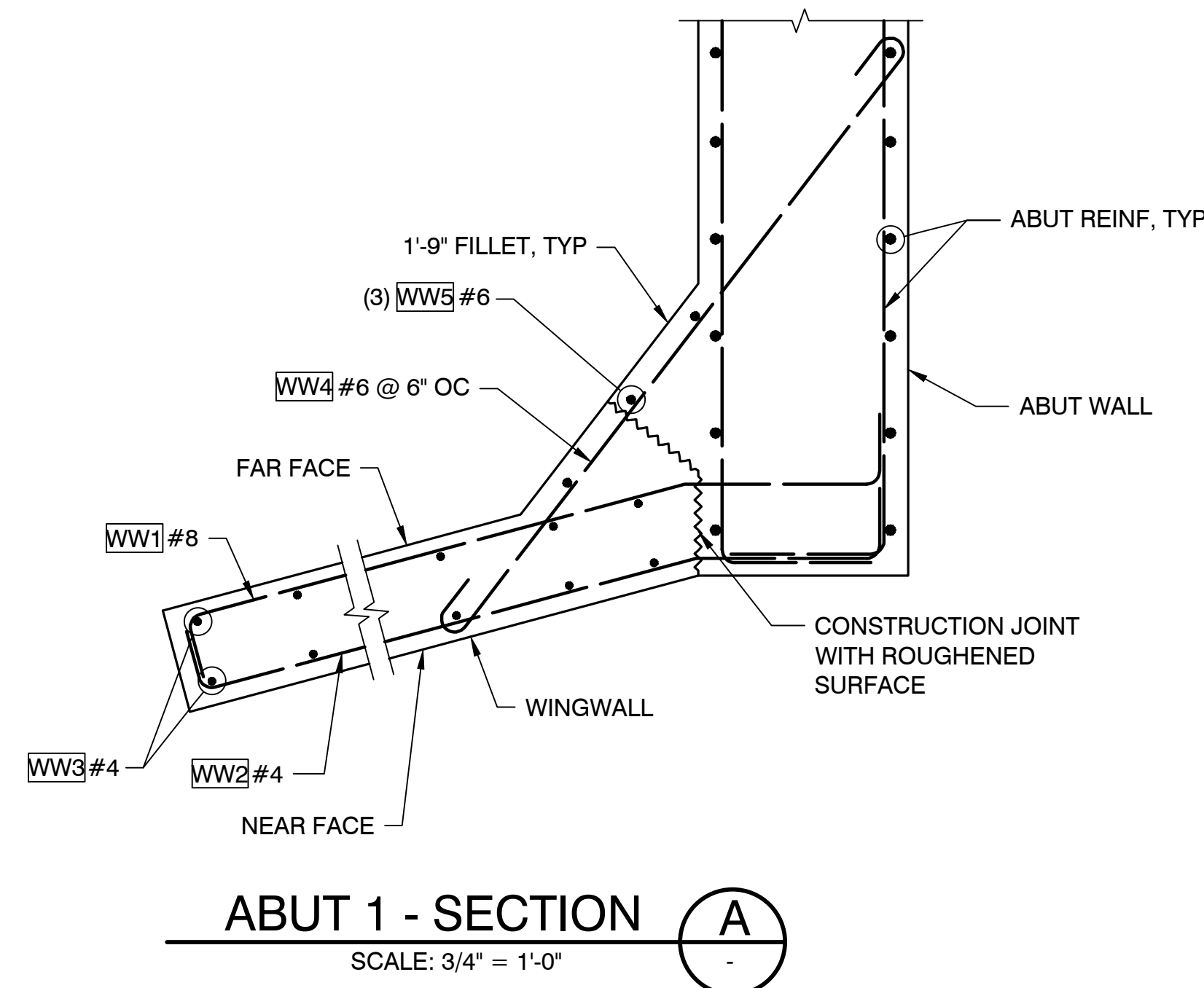
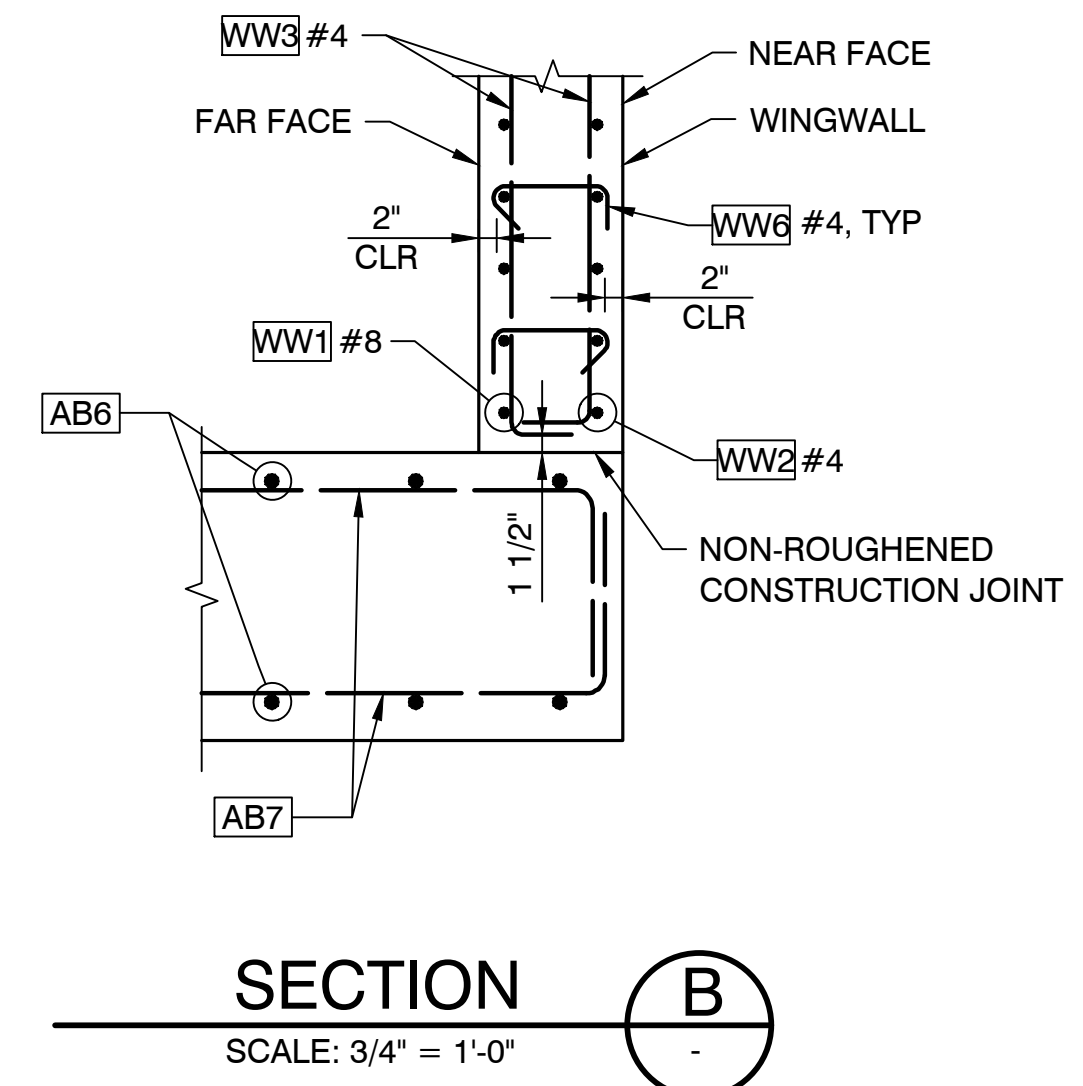
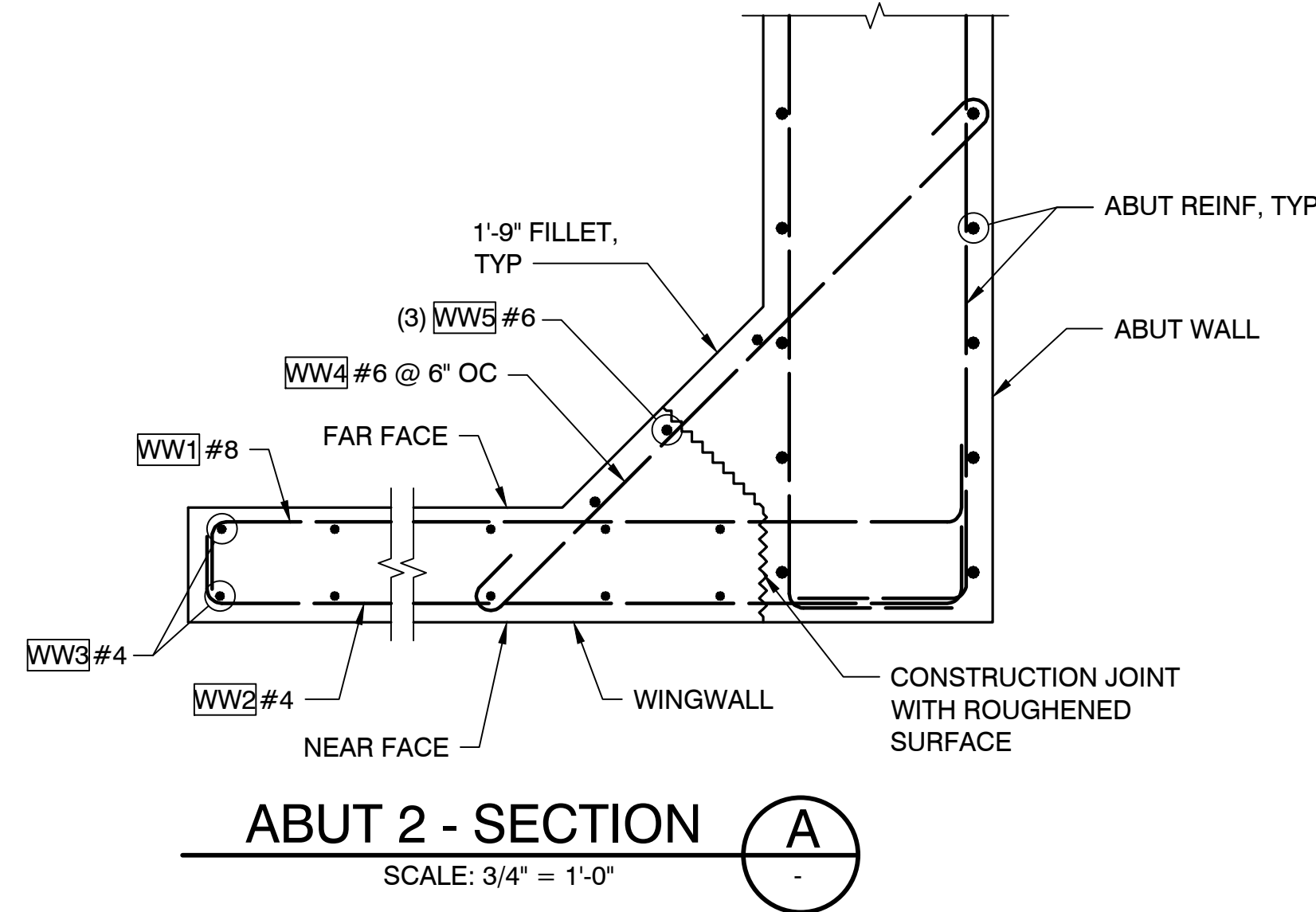
kpf
1601 5th Avenue,
Suite 1600
Seattle, WA 98101
206.622.5822
www.kpff.com
Date: _____

GREGORY HARRIS
STATE OF WASHINGTON
40827
PROFESSIONAL ENGINEER
7/2/20

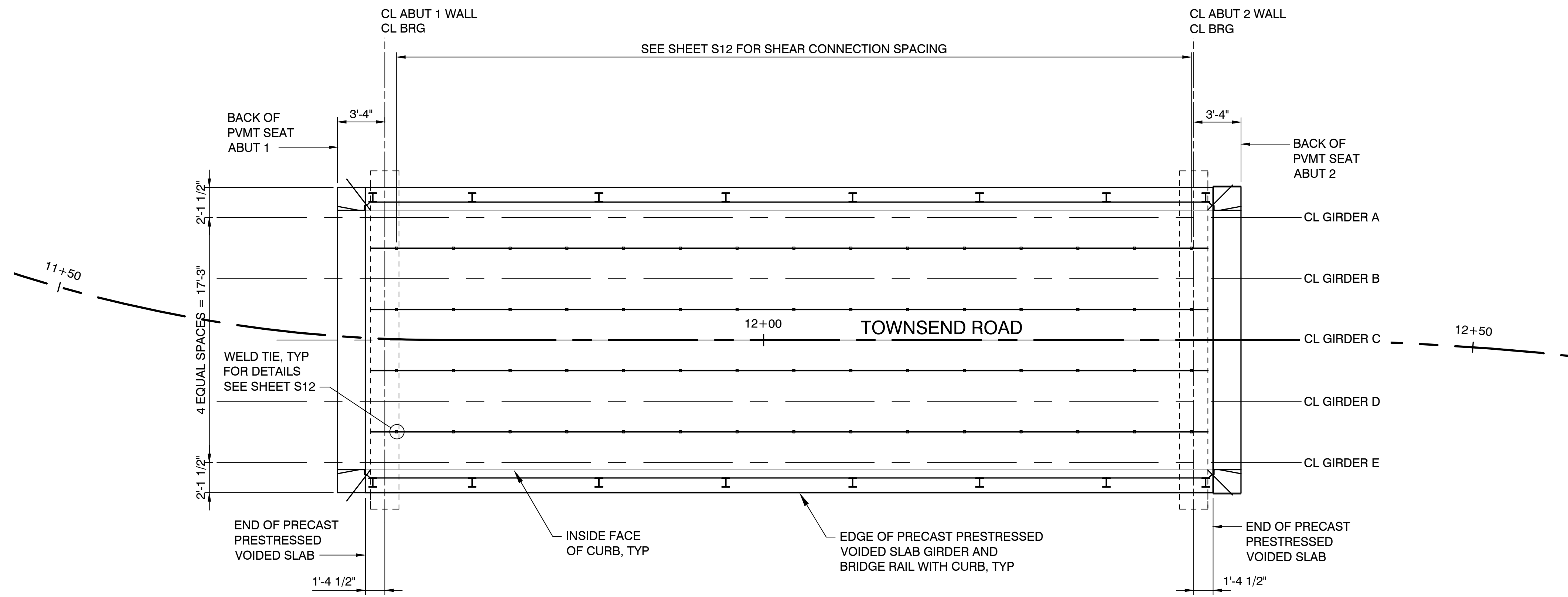


WINGWALL SCHEDULE

WINGWALL	WW1 SPACING S	ELEV A	ELEV B	ELEV C	ELEV D
ABUT 1 - WEST	1'-0"	801.06	801.10	789.50	789.50
ABUT 1 - EAST	6"	801.25	801.10	789.50	789.50
ABUT 2 - WEST	6"	801.67	801.59	789.50	789.50
ABUT 2 - EAST	1'-0"	801.64	801.59	789.50	789.50



NO.	DATE	REVISION	BY	APP.



FRAMING PLAN

1" = 5'-0"

2025 N. E. KRESKY AVE.
CHEHALIS WA 98532
PHONE # (360) 740-1123
FAX # (360) 740-2719

DESIGNED BY : D.K
DRAWN BY : S.Q
CHECKED BY : G.H
DATE : 7/2/2020

NO.	DATE	REVISION	BY	APP.

TOWNSEND BRIDGE #223 REPLACEMENT

COUNTY ROAD PROJECT NO: 2186
FRAMING PLAN

S8
18
OF
28

CALL 48 HOURS BEFORE YOU DIG
1-800-424-5555
"It's the Law"
Utilities Underground Location Center


1601 5th Avenue, Suite 1600
Seattle, WA 98101
206.622.5822
www.kpff.com
Date: _____

7/2/20

GIRDER SCHEDULE																														
GIRDER	PLAN LENGTH (ALONG GIRDER GRADE) (SEE GIRDER NOTE 1)	VOIDS		MIN. CONC. COMP. STRENGTH		PRESTRESSING STRANDS (SEE GIRDER NOTES 2-4)						MIDSPAN VERTICAL DEFLECTION Δ		TRANSVERSE REINFORCEMENT						LONGITUDINAL REINFORCEMENT				SHIPPING AND HANDLING DETAILS						
		NUMBER	DIAMETER	@ 28-DAYS FC (KSI)	@ RELEASE FC1 (KSI)	PERMANENT STRANDS	EXTENDED NUMBER AND LENGTH	DEBONDED NUMBER AND LENGTH	BOTTOM ROW		TOP ROW		"A" DIMENSION AT CL BEARINGS	LOWER BOUND @ 40 DAYS	UPPER BOUND @ 120 DAYS	ZONE 1			ZONE 2			G1		G2		L	L1	L2	K _o MINIMUM SHIPPING SUPPORT ROTATIONAL SPRING CONSTANT	W _{CC} MINIMUM SHIPPING SUPPORT CNTR.-TO-CNTR. WHEEL SPACING
									PERMANENT STRANDS	TEMPORARY STRANDS	BAR SIZE	SPACING				LENGTH	BAR SIZE	SPACING	LENGTH	BAR SIZE	NO. OF BARS	BAR SIZE	NO. OF BARS							
A - E	59'-9"	2	18"	6.0	4.0	15	4 @ 1'-4"	3 @ 12'-0"	4	0	0"	1/8"	3/8"	#4	3"	1'-6"	#4	6"	3'-0"	#4	4	#4	4	3'-0"	2'-6"	2'-6"	40,000 KIP-IN RAD	6'-0"		

GIRDER NOTES:

1. PLAN LENGTH SHALL BE INCREASED AS NECESSARY TO COMPENSATE FOR SHORTENING DUE TO PRESTRESS AND SHRINKAGE.
2. ALL STRANDS SHALL BE 0.6"Ø AASHTO M203 GRADE 270 LOW RELAXATION STRANDS, JACKED TO 202.5 KSI. STRANDS SHALL BE SYMMETRICAL ABOUT THE GIRDER CENTERLINE. EXTERIOR STRANDS IN EACH ROW SHALL BE FULLY BONDED.
3. SPACE EXTENDED STRANDS SYMMETRICALLY AND EVENLY ACROSS GIRDER WIDTH. STAGGER EXTENDED STRAND LOCATIONS WITH RESPECT TO GIRDERS IN ADJACENT SPANS.
4. DEBONDED STRANDS SHALL BE DEBONDED AT EACH GIRDER END FOR THE INDICATED LENGTH PARALLEL TO THE GIRDER CENTERLINE. DEBONDED STRANDS SHALL NOT BE EXTENDED PAST GIRDER ENDS. DEBONDED STRANDS SHALL BE SYMMETRICALLY PLACED ABOUT THE GIRDER CENTERLINE. DEBONDED LENGTHS OF PAIRS OF STRANDS THAT ARE SYMMETRICALLY POSITIONED ABOUT THE GIRDER CENTERLINE SHALL BE EQUAL.



2025 N. E. KRESKY AVE.
CHEHALIS WA 98532
PHONE # (360) 740-1123
FAX # (360) 740-2719

DESIGNED BY : D.K
DRAWN BY : S.Q
CHECKED BY : G.H
DATE : 7/2/2020

NO.	DATE	REVISION	BY	APP.

TOWNSEND BRIDGE #223 REPLACEMENT

COUNTY ROAD PROJECT NO: 2186
GIRDER SCHEDULE

S9
19
OF
28

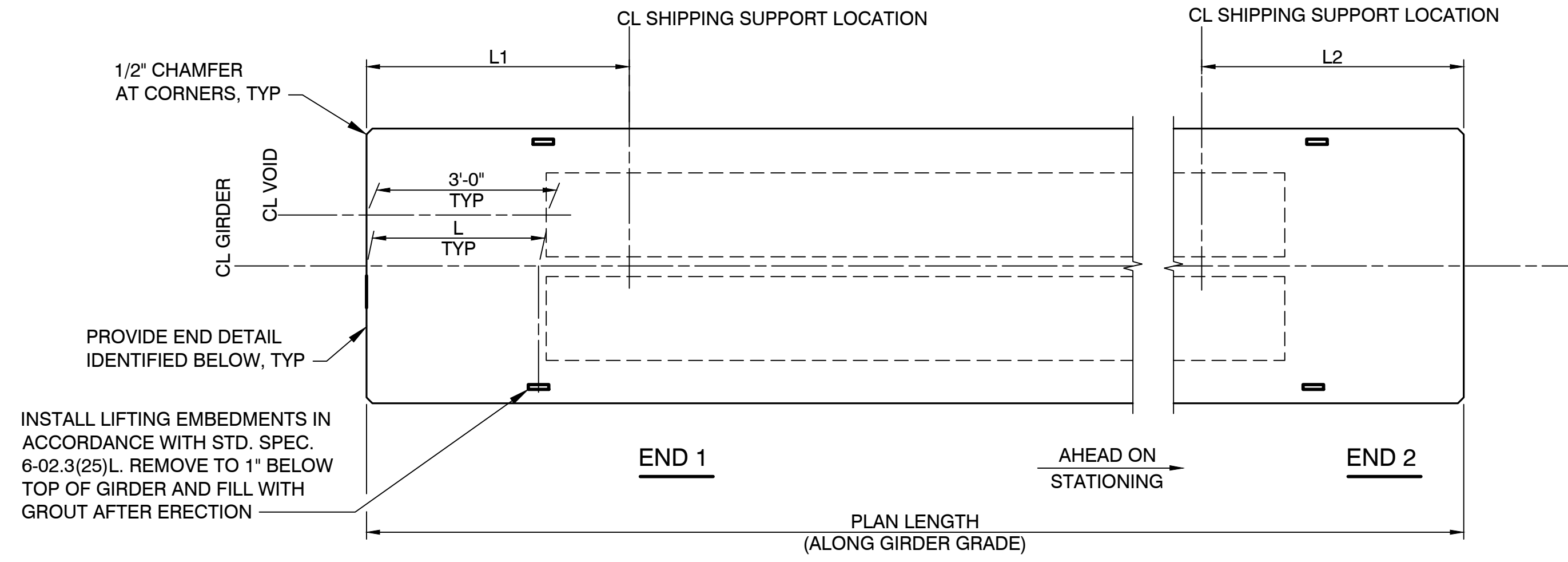


CALL 48 HOURS BEFORE YOU DIG
1-800-424-5555
"It's the Law"
Utilities Underground Location Center

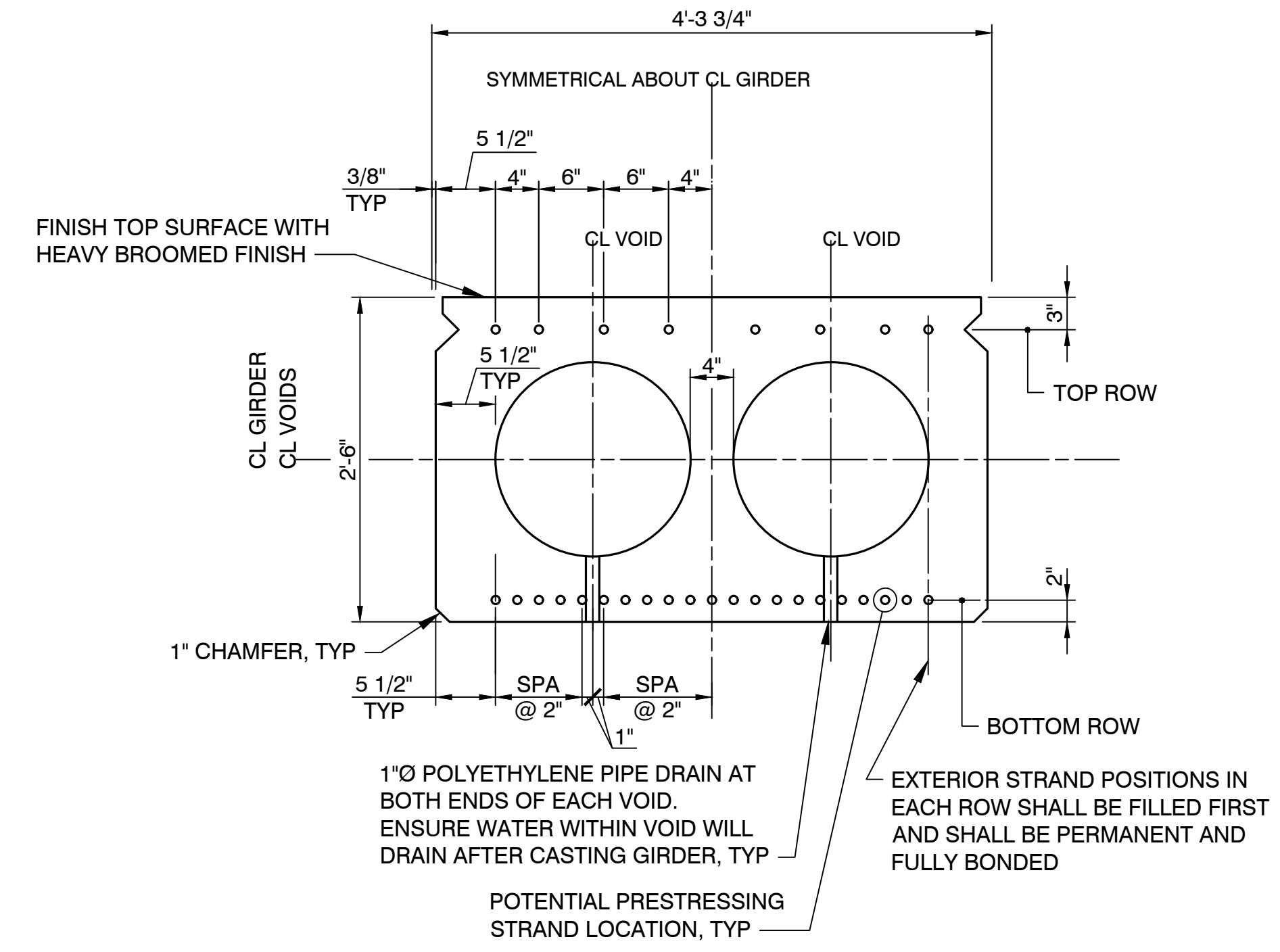
1601 5th Avenue, Suite 1600
Seattle, WA 98101
206.622.5822
www.kpff.com
Date: _____



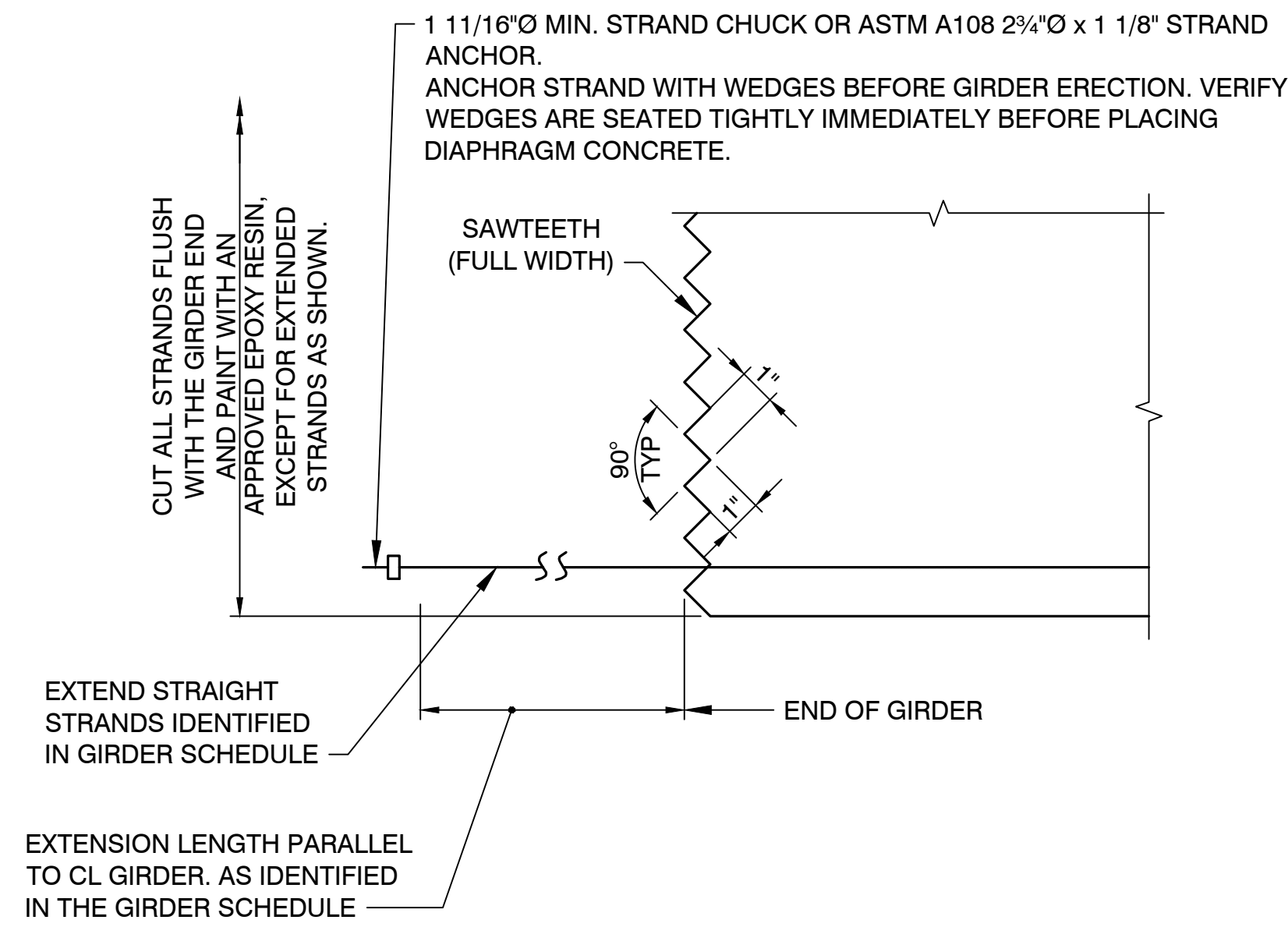
PROFESSIONAL ENGINEER
7/2/20



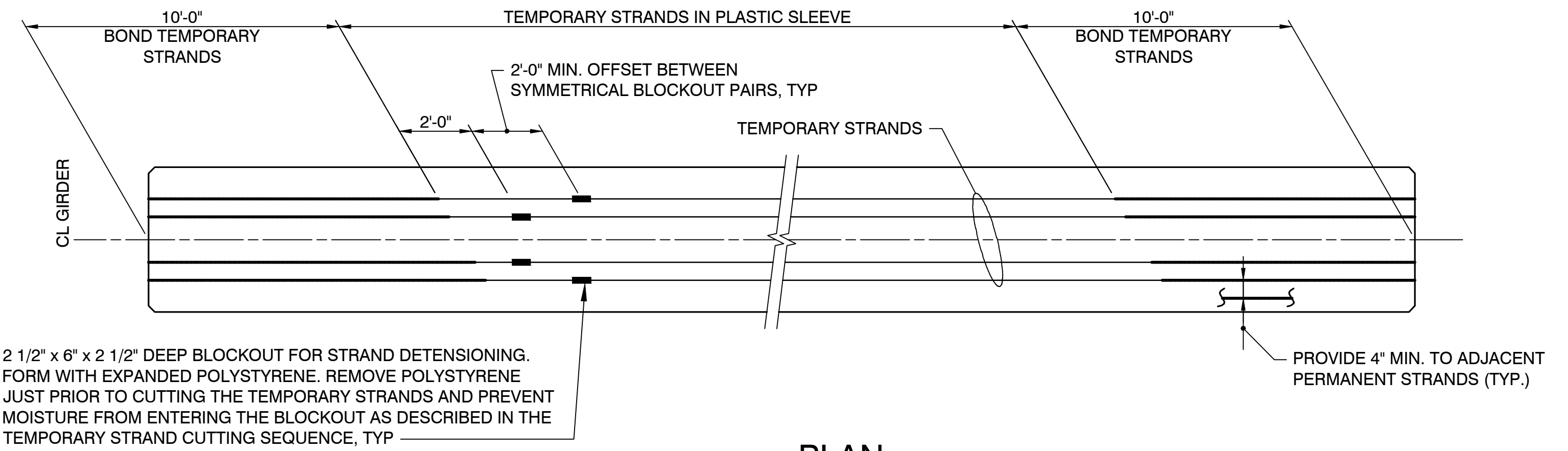
PLAN
NTS



TYPICAL GIRDER SECTION
NTS



END DETAIL
NTS



**PLAN
TEMPORARY STRANDS**
NTS

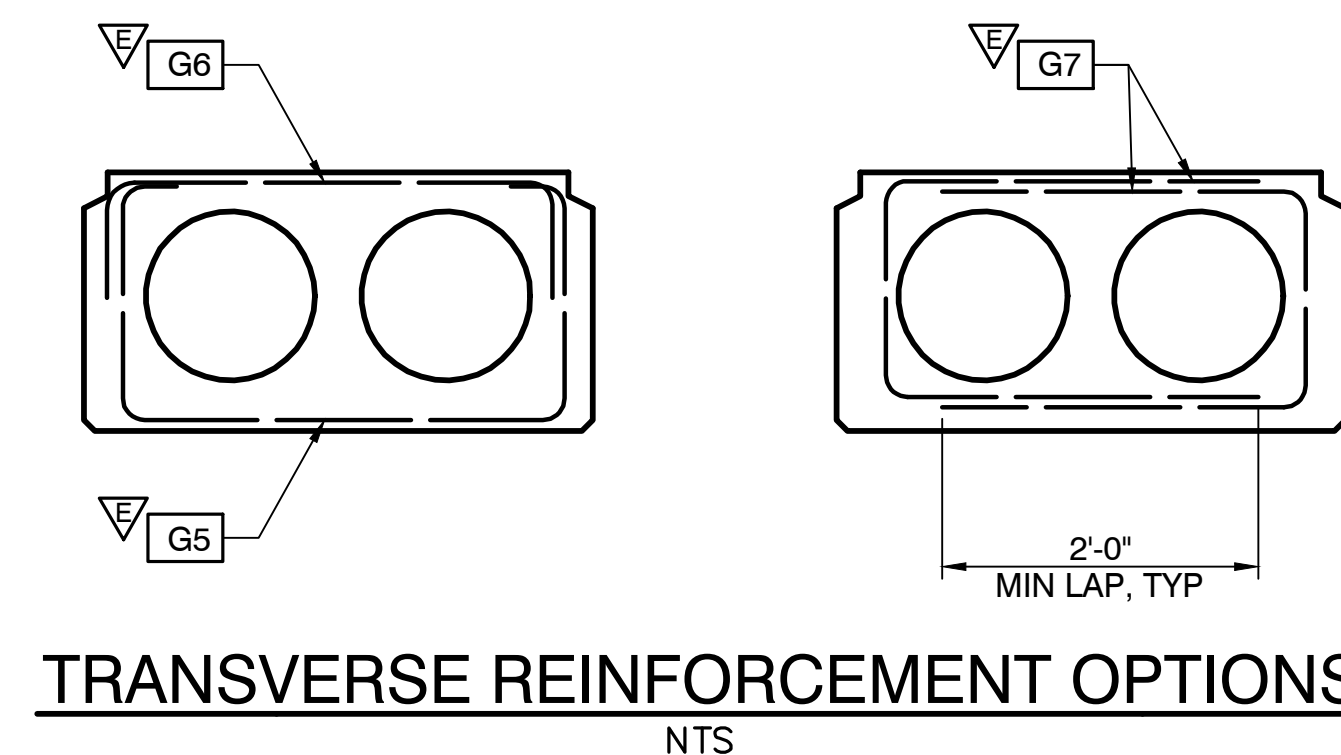
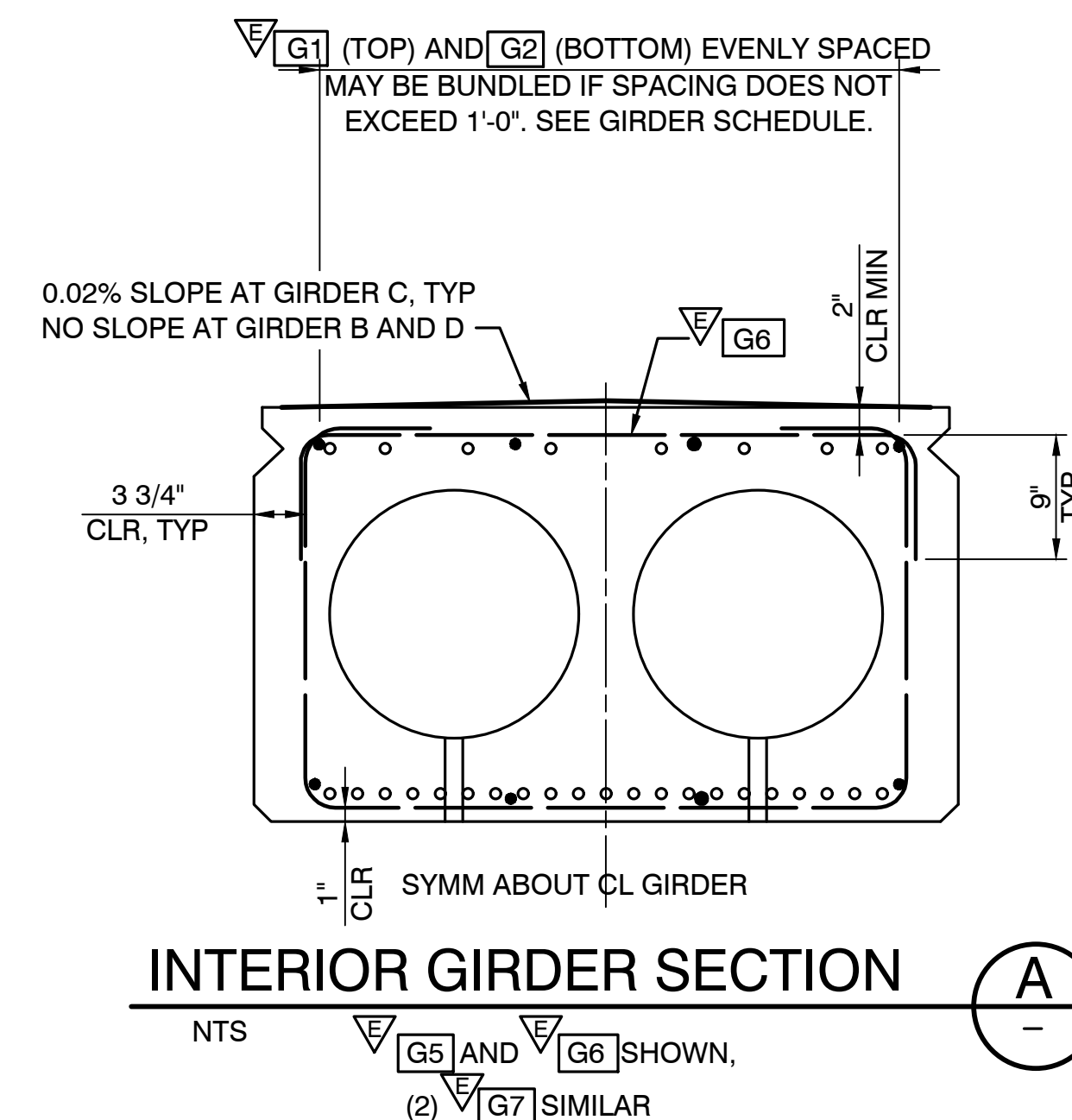
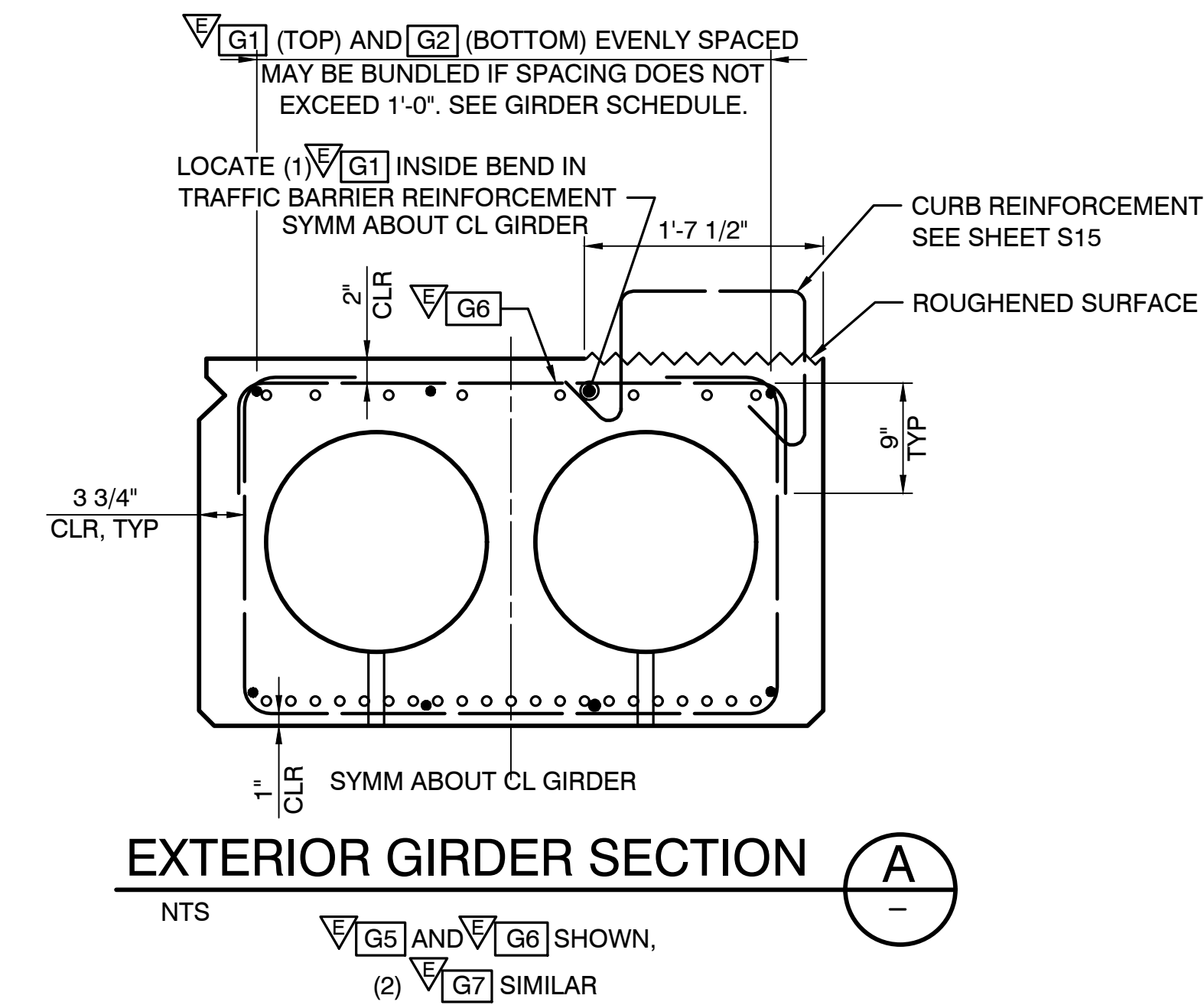
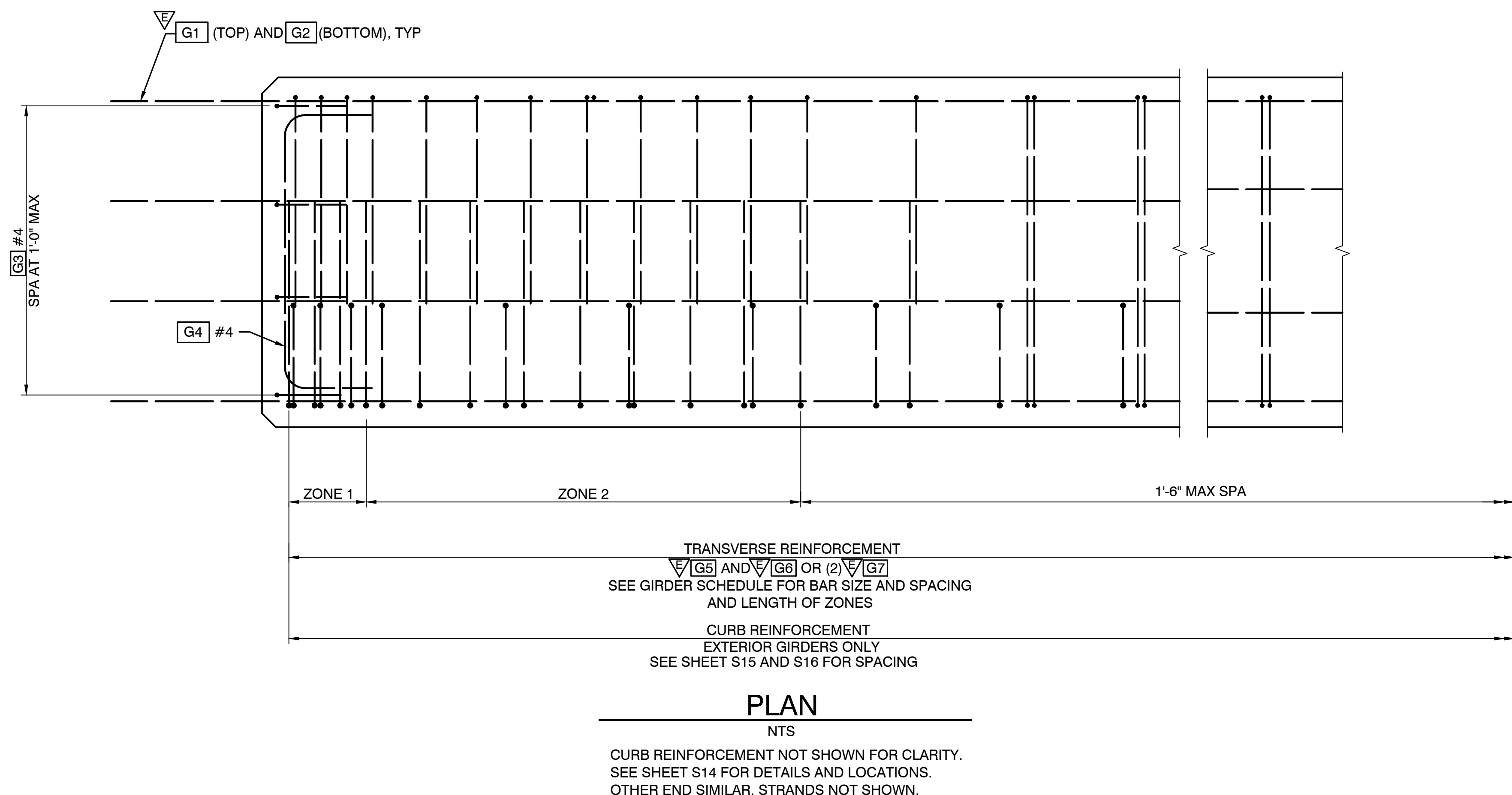
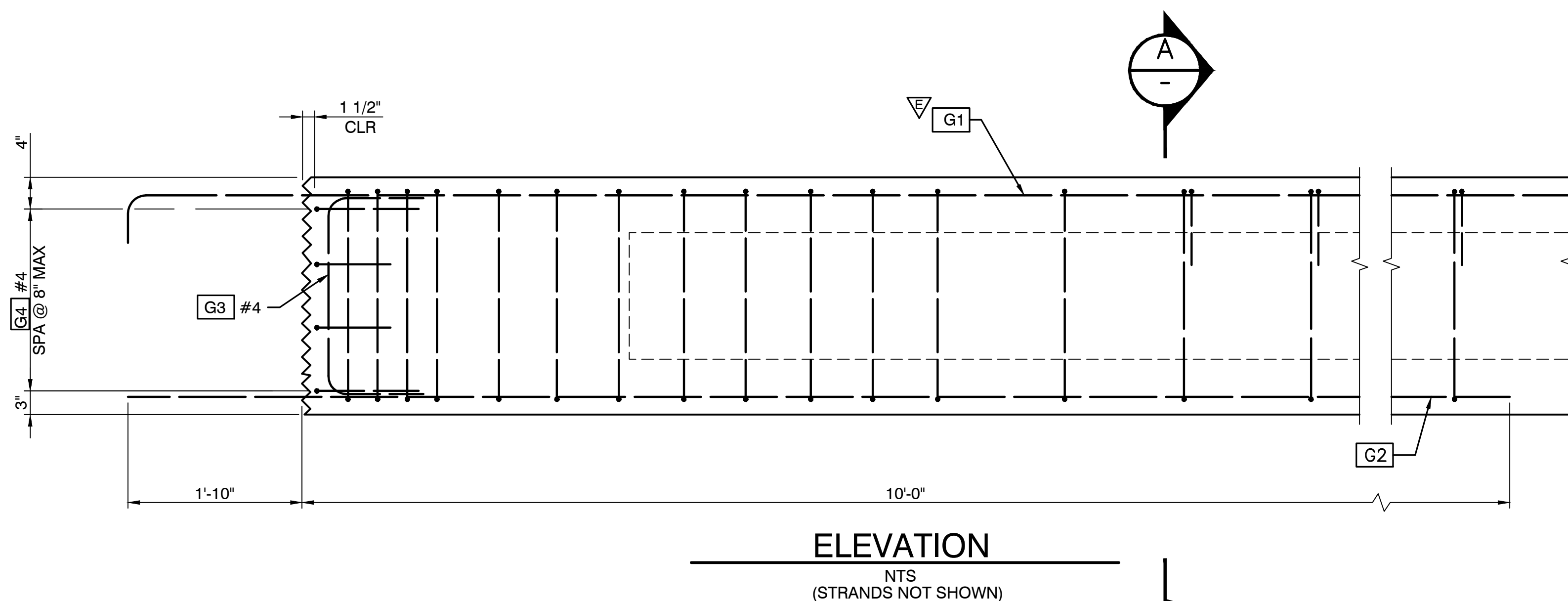
TEMPORARY STRAND NOTES

1. SEE GIRDER SCHEDULE FOR REQUIRED NUMBER OF TEMPORARY STRANDS. TEMPORARY STRANDS SHALL BE PLACED IN THE TOP ROW.
2. FOR GIRDERS ERECTED ON A LONGITUDINAL GRADE, STRAND DETENSIONING BLOCKOUTS SHALL BE PLACED AT THE LOW END OF THE GIRDER.
3. SEE "TEMPORARY STRAND CUTTING SEQUENCE" ON CONSTRUCTION SEQUENCE SHEET FOR TEMPORARY STRAND DETENSIONING PROCEDURE.

NO.	DATE	REVISION	BY	APP.

7/2/2020 9:25 AM

V:\1900\139 (Townsend Road Bridge Replacement)\Design (v2019)\S11.dwg



Lewis County
 Department of Public Works
 2025 N. E. KRESKY AVE.
 CHEHALIS WA 98532
 PHONE # (360) 740-1123
 FAX # (360) 740-2719

DESIGNED BY : D.K
 DRAWN BY : S.Q
 CHECKED BY : G.H
 DATE : 7/2/2020

NO.	DATE	REVISION	BY	APP.

**TOWNSEND BRIDGE #223
 REPLACEMENT**

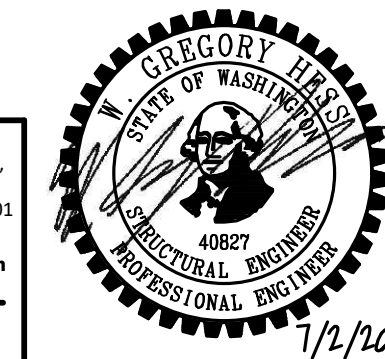
COUNTY ROAD PROJECT NO: 2186

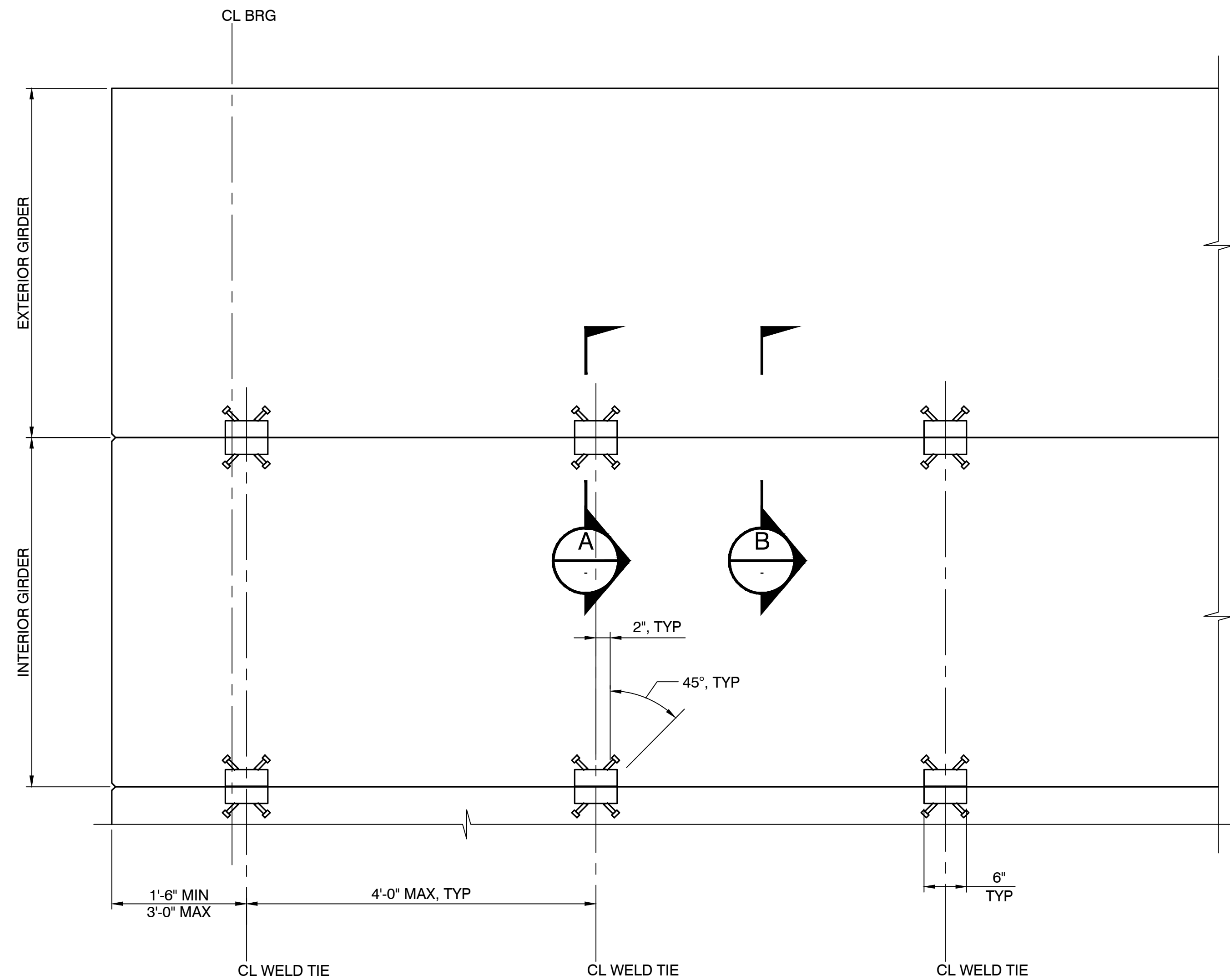
GIRDER DETAILS 2 OF 3

S11
21
 OF
28

CALL 48 HOURS
 BEFORE YOU DIG
 1-800-424-5555
 "It's the Law"
 Utilities
 Underground
 Location Center

kpff
 1601 5th Avenue,
 Suite 1600
 Seattle, WA 98101
 206.622.5822
 www.kpff.com
 Date: _____

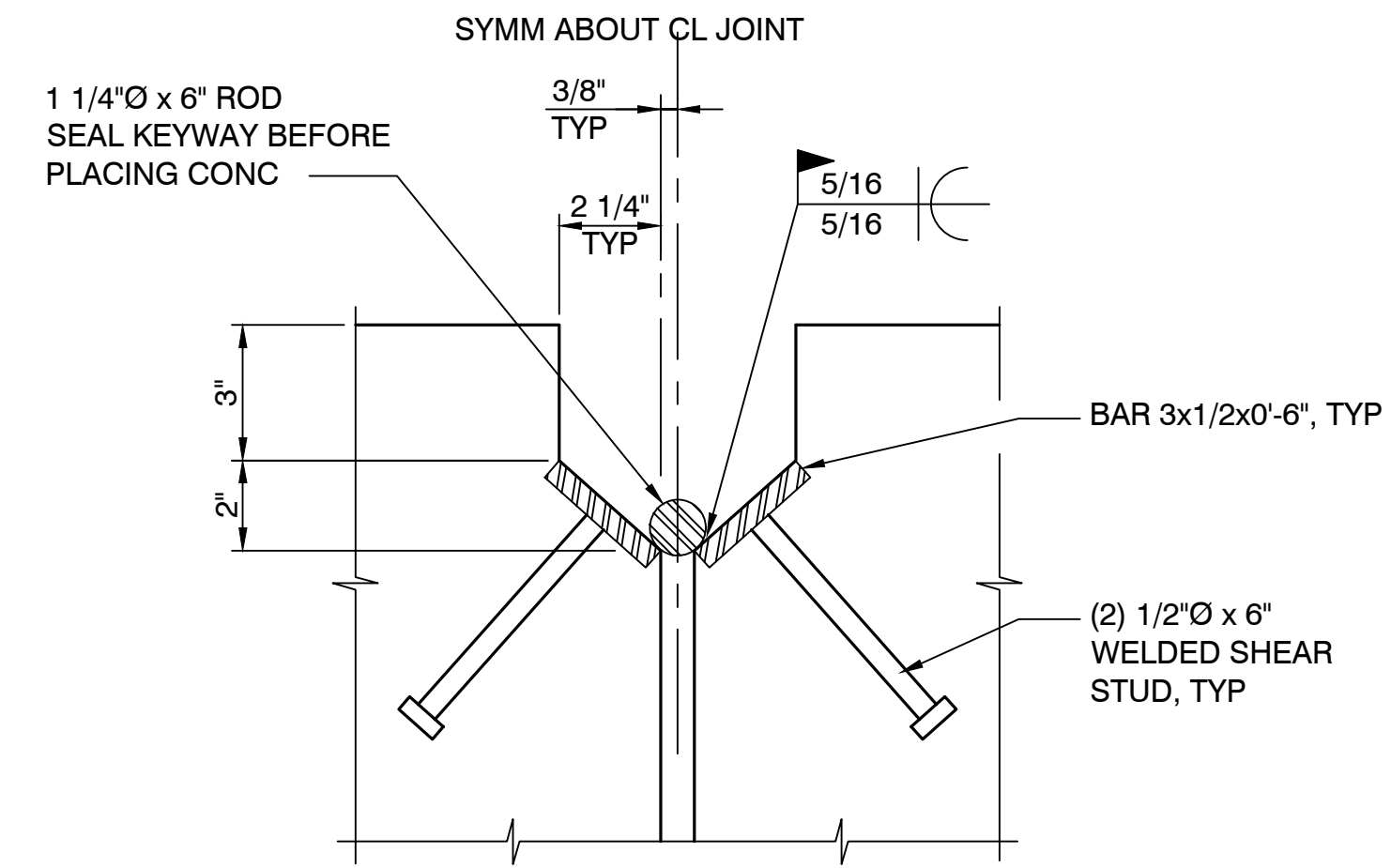




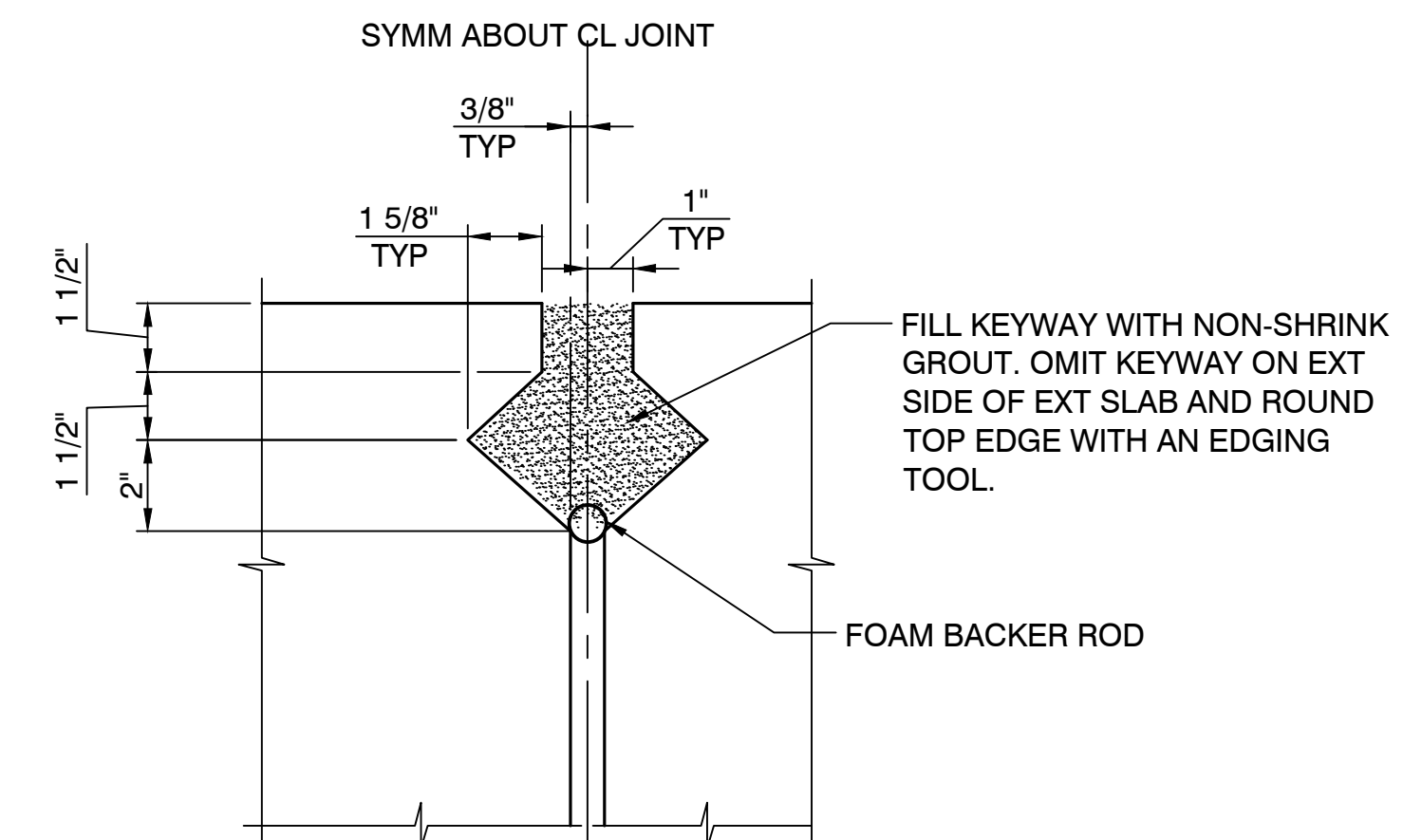
PLAN
SCALE: 1" = 1'-0"
REINFORCEMENT, CURB AND BRIDGE
RAIL NOT SHOWN FOR CLARITY

NOTES:

- NO TRAFFIC SHALL BE ALLOWED ON A BEAM ADJACENT TO A GROUTED JOINT UNTIL THE GROUT HAS ATTAINED A MINIMUM STRENGTH OF 4000 PSI.



WELD TIE SECTION A
SCALE: 3" = 1'-0"



KEYWAY SECTION B
SCALE: 3" = 1'-0"

Lewis County
Department of Public Works
2025 N. E. KRESKY AVE.
CHEHALIS WA 98532
PHONE # (360) 740-1123
FAX # (360) 740-2719

DESIGNED BY : D.K
DRAWN BY : S.Q
CHECKED BY : G.H
DATE : 7/2/2020

NO.	DATE	REVISION	BY	APP.

**TOWNSEND BRIDGE #223
REPLACEMENT**

COUNTY ROAD PROJECT NO: 2186

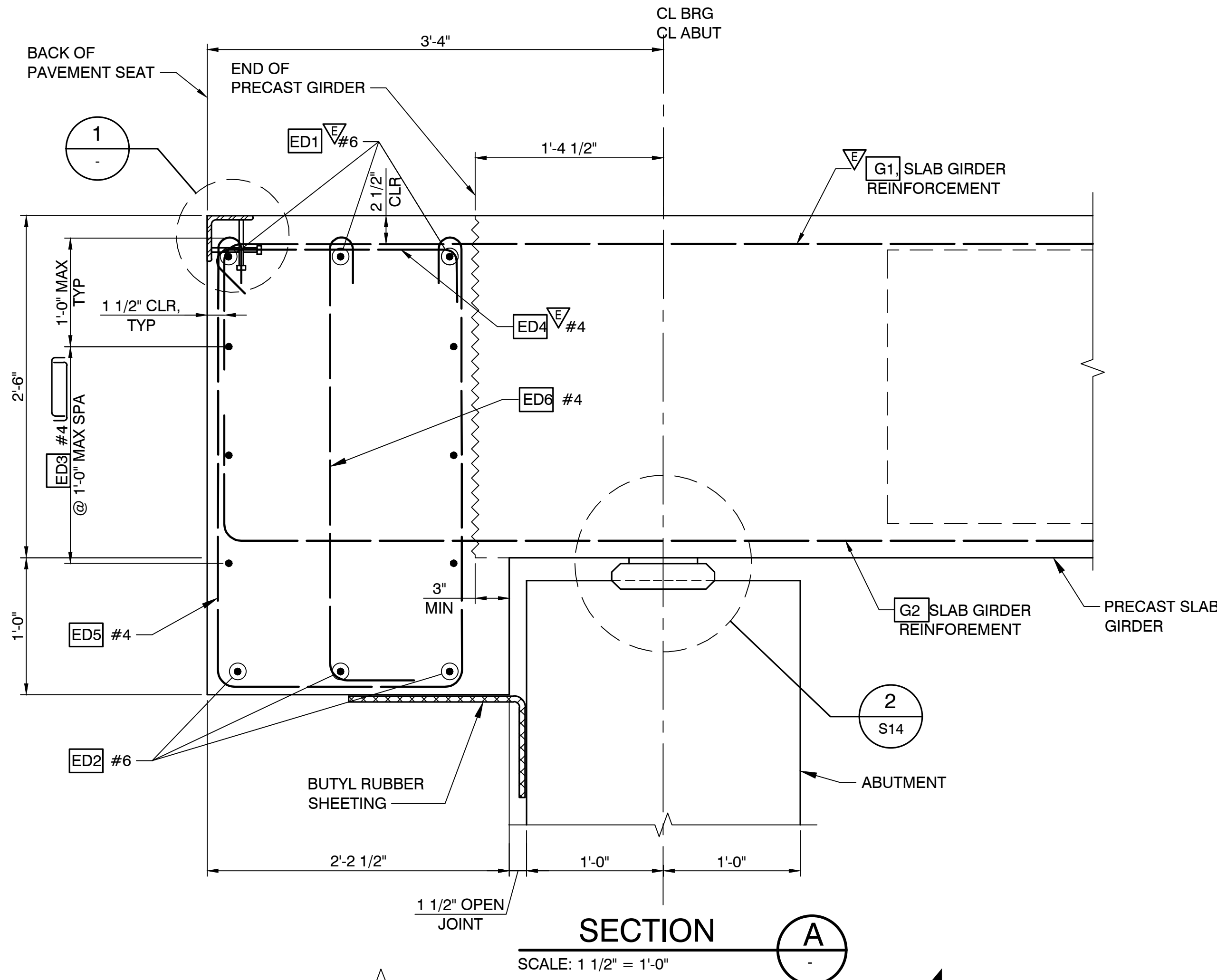
GIRDER DETAILS 3 OF 3

S12
22
OF
28

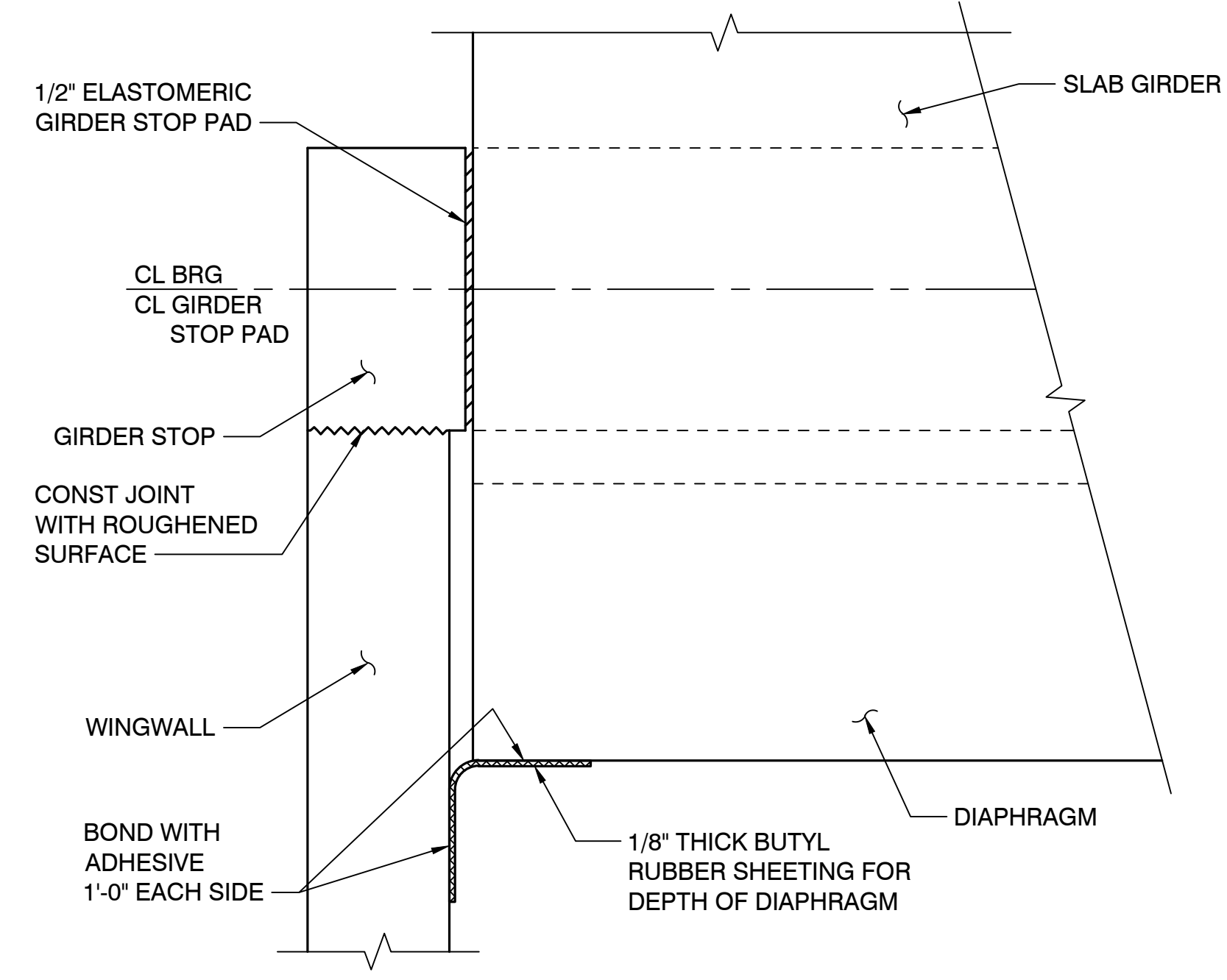
CALL 48 HOURS BEFORE YOU DIG
1-800-424-5555
"It's the Law"
Utilities Underground Location Center

kpff
1601 5th Avenue,
Suite 1600
Seattle, WA 98101
206.622.5822
www.kpff.com
Date: _____

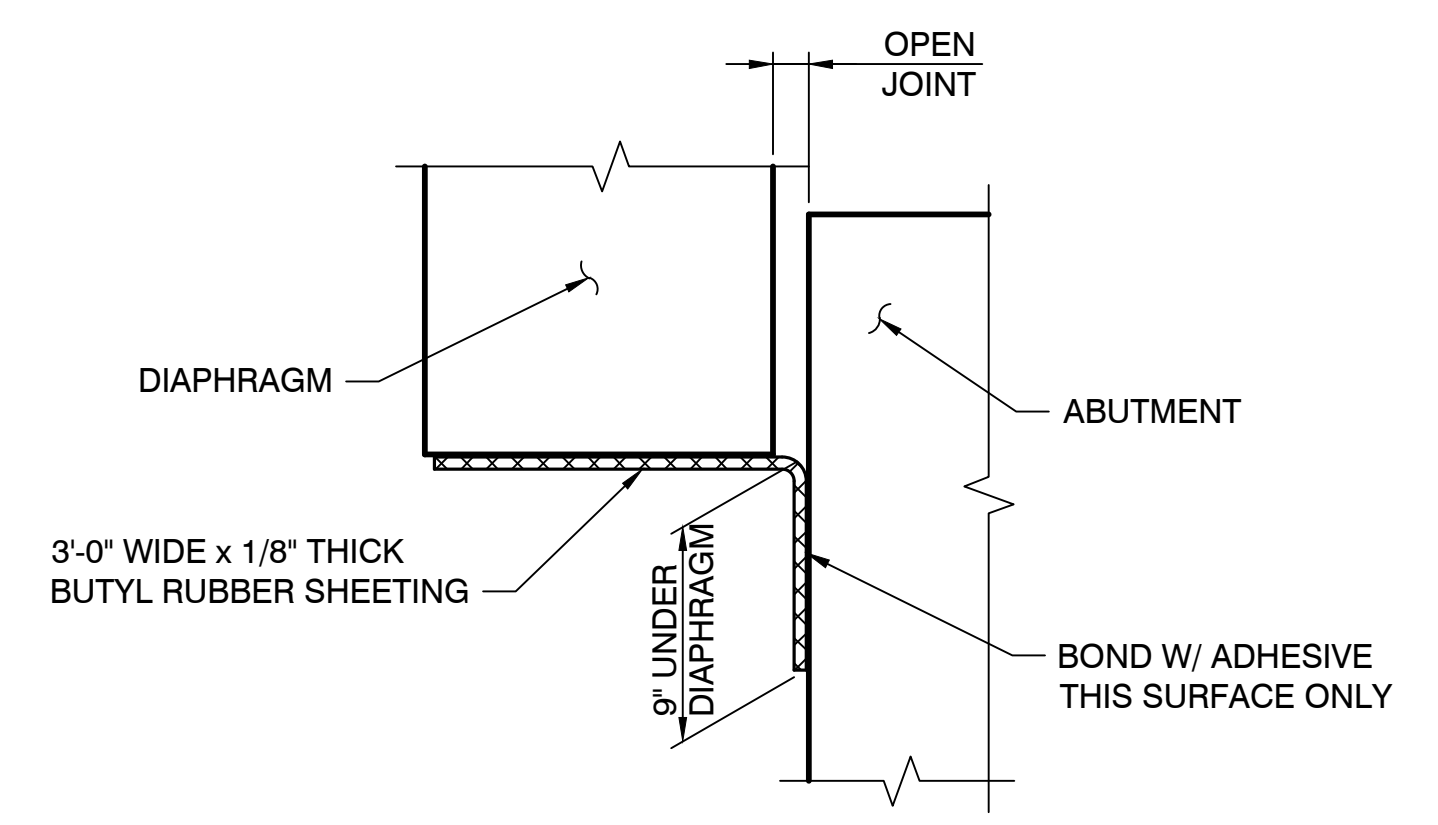
GREGORY HAYES
STATE OF WASHINGTON
40827
PROFESSIONAL ENGINEER
7/2/20



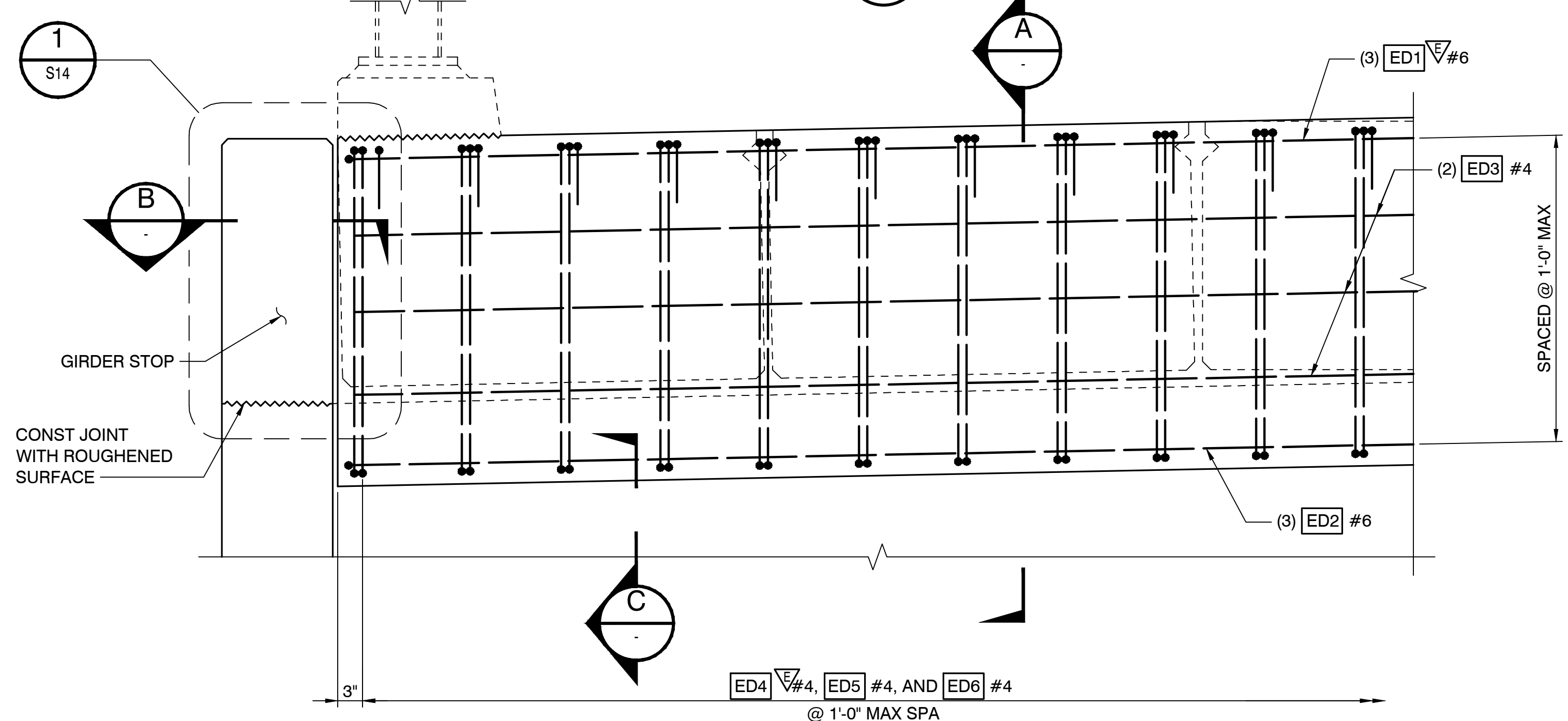
SECTION A
SCALE: 1 1/2" = 1'-0"



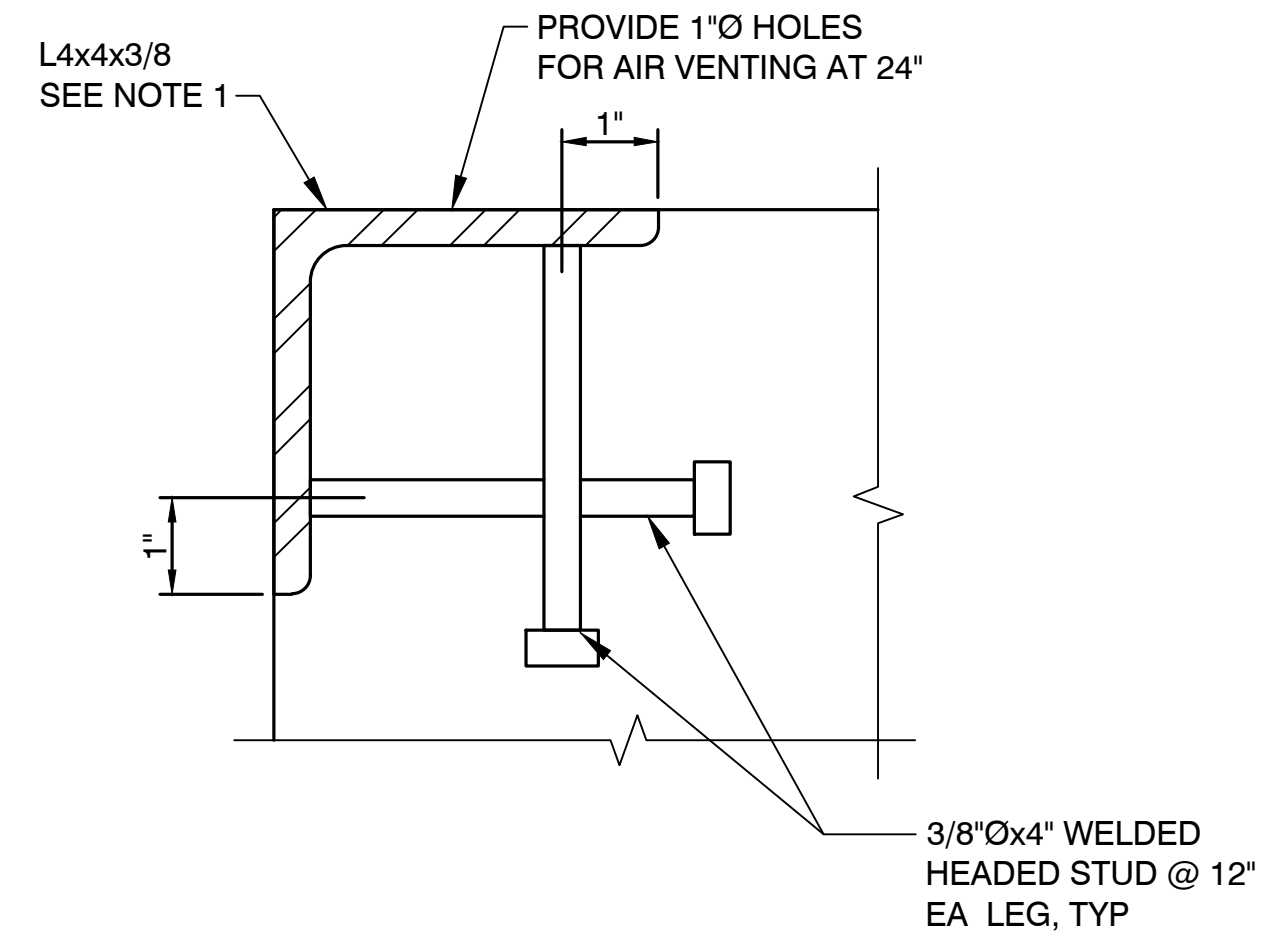
SECTION B
SCALE: 1" = 1'-0"



SECTION C
NTS



ELEVATION - END DIAPHRAGM
DIMENSIONS ARE PARALLEL TO CL PIER
SCALE: 1" = 1'-0"



CONCRETE ARMOR DETAIL 1
SCALE: 6" = 1'-0"

NOTE:
1. CONCRETE ARMOR ANGLE TO BE FABRICATED IN TWO (2) SECTIONS TO ACCOMMODATE THE BRIDGE SUPERELEVATION.

Lewis County
Department of Public Works
2025 N. E. KRESKY AVE.
CHEHALIS WA 98532
PHONE # (360) 740-1123
FAX # (360) 740-2719

DESIGNED BY : D.K
DRAWN BY : S.Q
CHECKED BY : G.H
DATE : 7/2/2020

NO.	DATE	REVISION	BY	APP.

**TOWNSEND BRIDGE #223
REPLACEMENT**

COUNTY ROAD PROJECT NO: 2186

END DIAPHRAGM

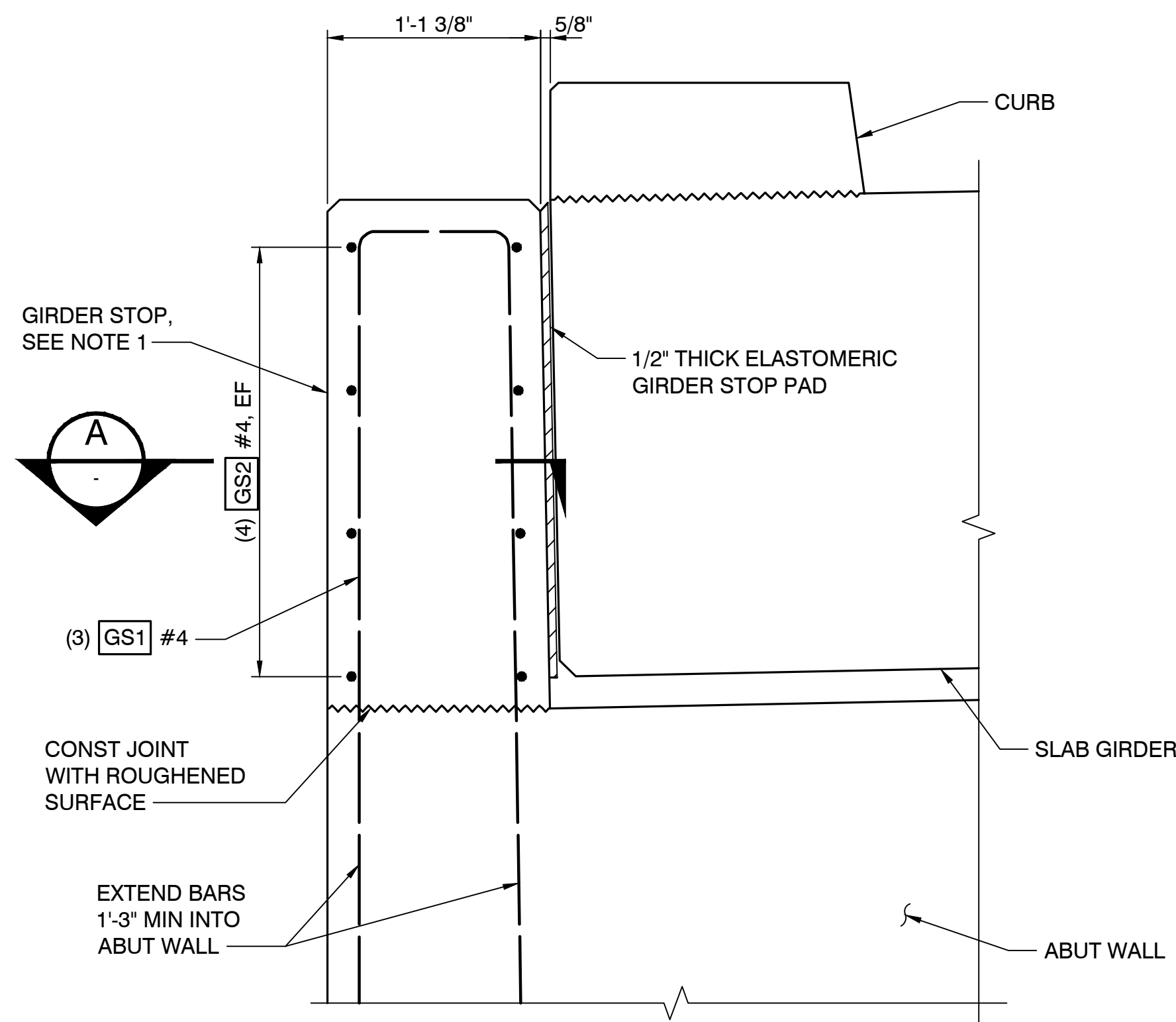
S13
23
OF
28

CALL 48 HOURS BEFORE YOU DIG
1-800-424-5555
"It's the Law"
Utilities Underground Location Center

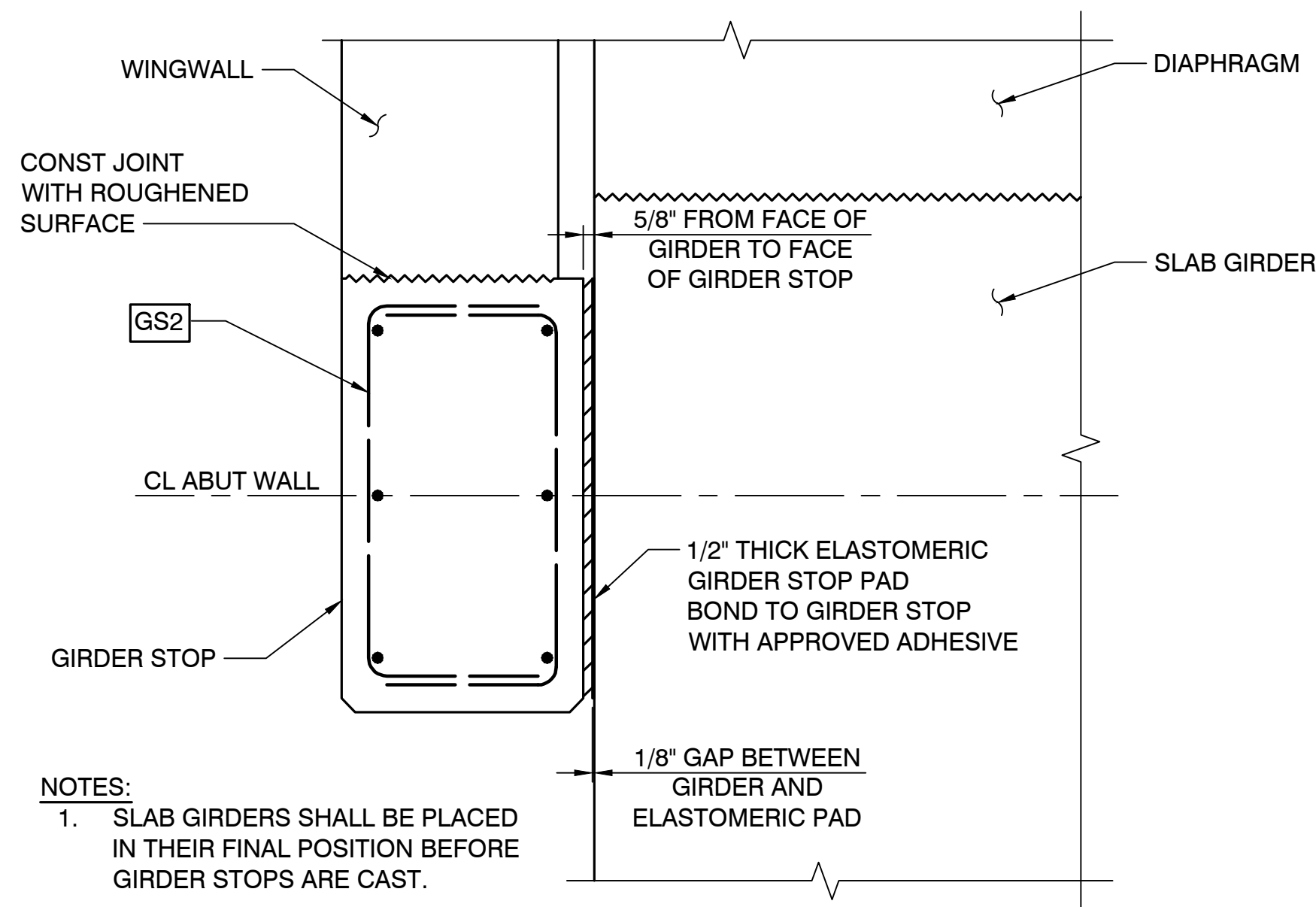
kpff
1601 5th Avenue, Suite 1600
Seattle, WA 98101
206.622.5822
www.kpff.com
Date: _____

GREGORY HENSON
STATE OF WASHINGTON
PROFESSIONAL ENGINEER
40827
7/2/20

7/2/2020 9:26 AM

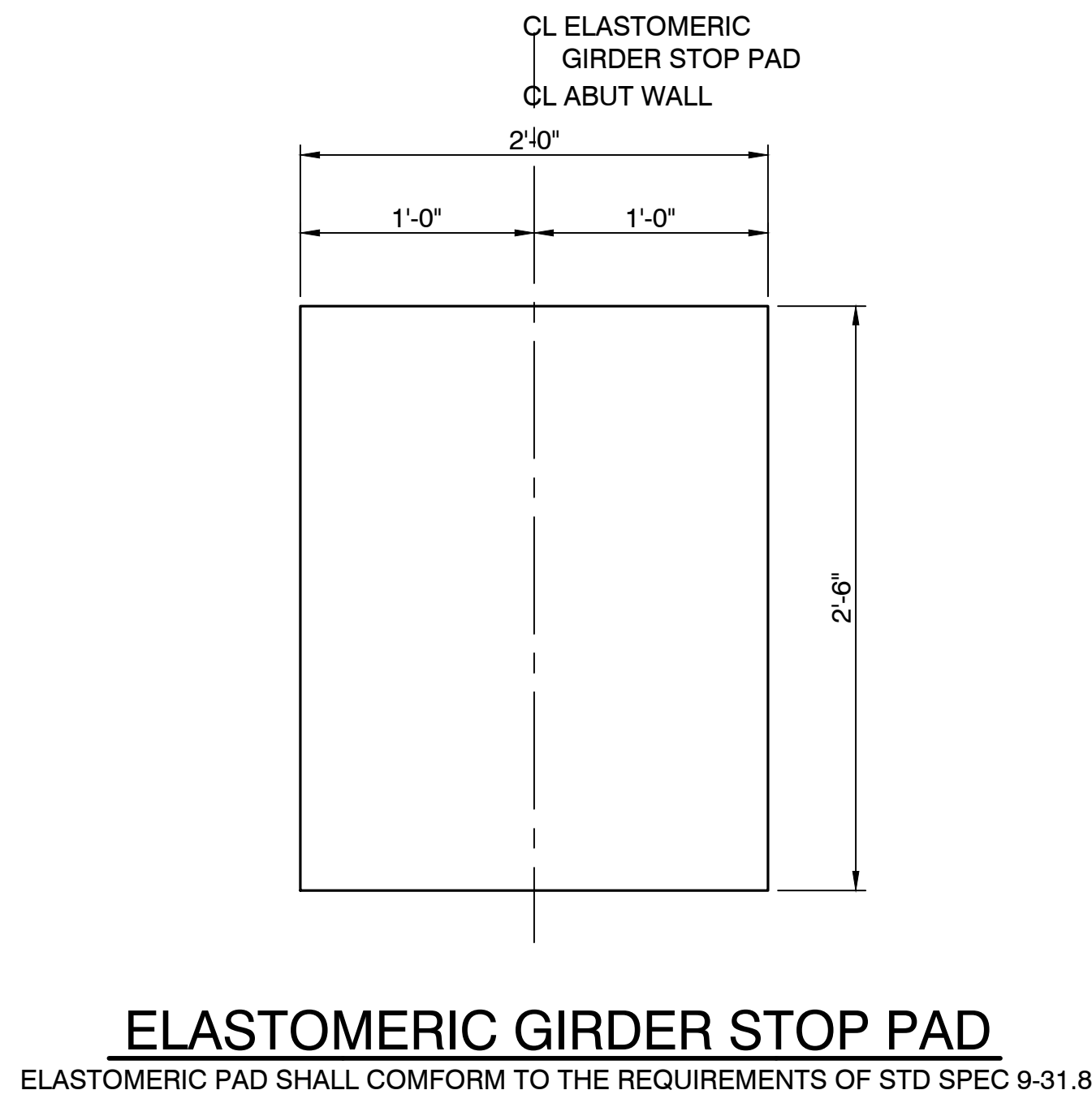


GIRDER STOP DETAIL 1
1 1/2" = 1'-0" S5, S13

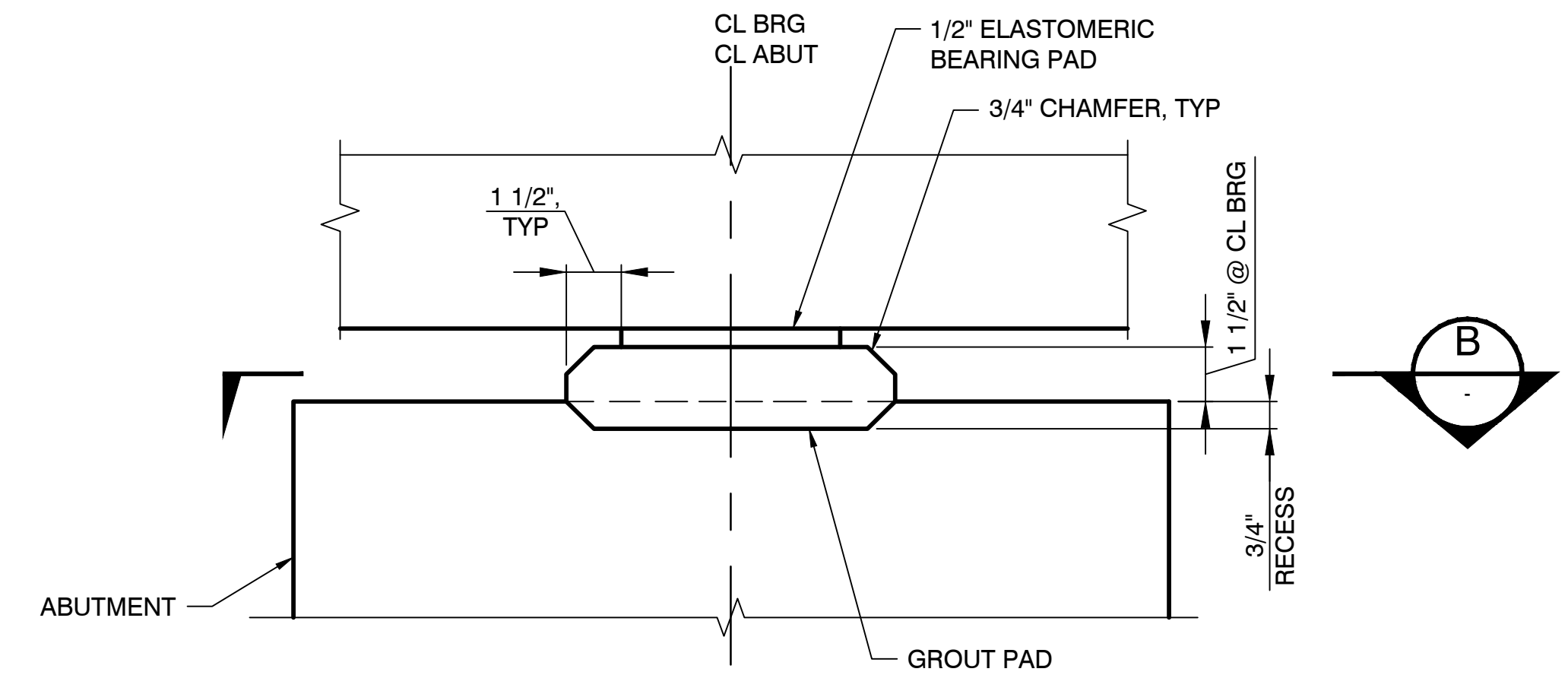


GIRDER STOP SECTION A
1 1/2" = 1'-0"

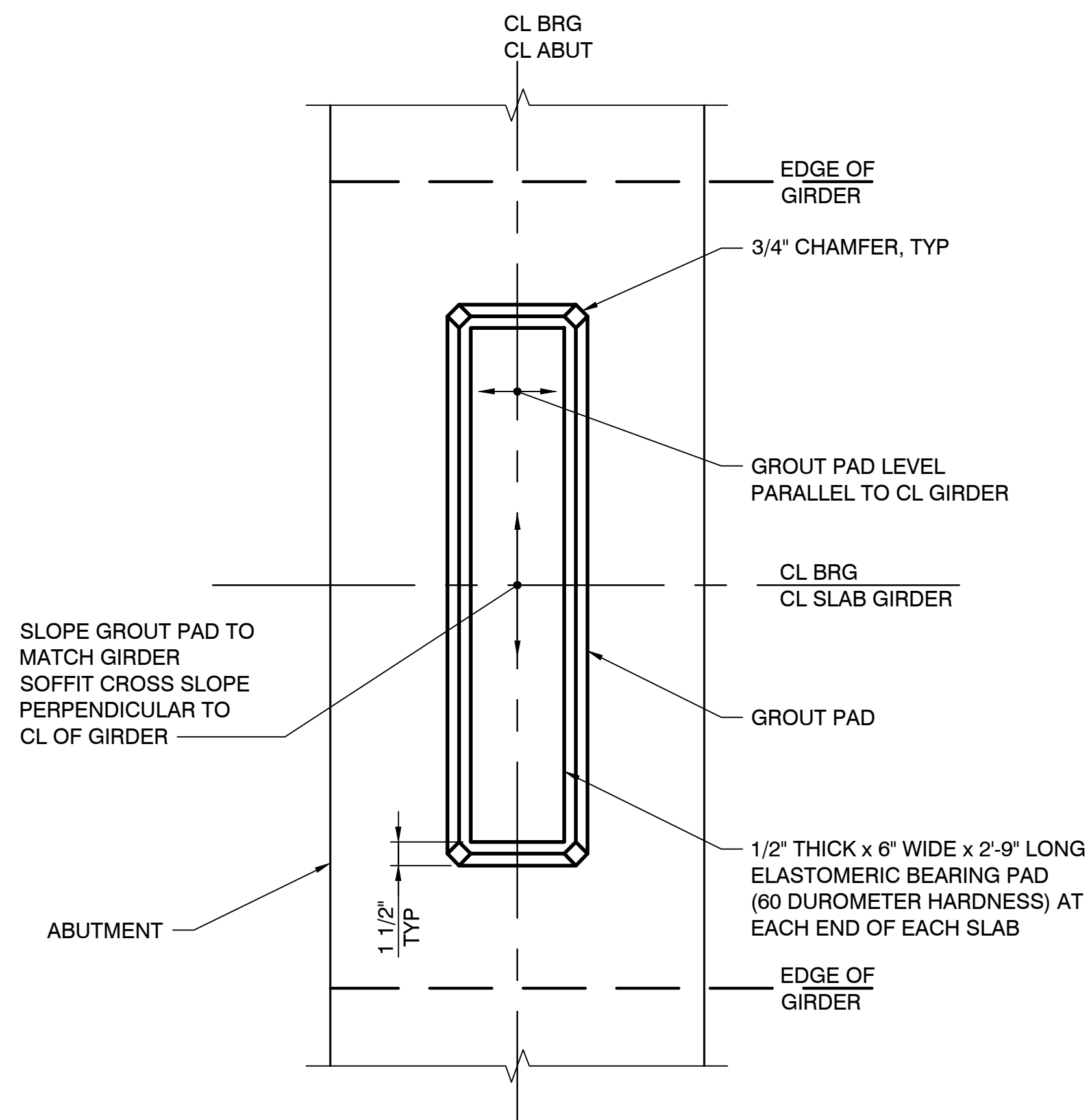
NOTES:
1. SLAB GIRDERS SHALL BE PLACED IN THEIR FINAL POSITION BEFORE GIRDER STOPS ARE CAST.



ELASTOMERIC GIRDER STOP PAD
ELASTOMERIC PAD SHALL COMFORM TO THE REQUIREMENTS OF STD SPEC 9-31.8



DETAIL 2
3" = 1'-0" S13



SECTION B
1 1/2" = 1'-0"

V:\1900139 (Townsend Road Bridge Replacement)\Design (v2019)\S14.dwg

Lewis County
Department of Public Works
2025 N. E. KRESKY AVE.
CHEHALIS WA 98532
PHONE # (360) 740-1123
FAX # (360) 740-2719

DESIGNED BY : D.K
DRAWN BY : S.Q
CHECKED BY : G.H
DATE : 7/2/2020

NO.	DATE	REVISION	BY	APP.

TOWNSEND BRIDGE #223 REPLACEMENT

COUNTY ROAD PROJECT NO: 2186

BEARING AND GIRDER STOP DETAILS

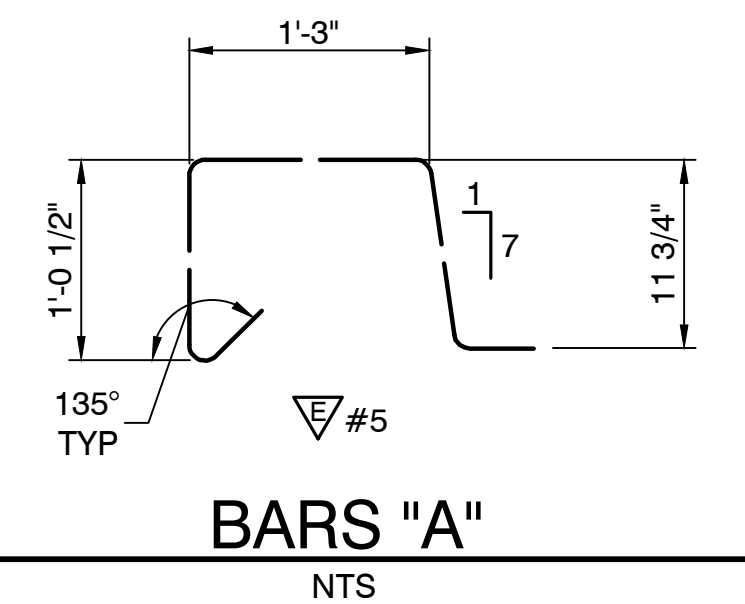
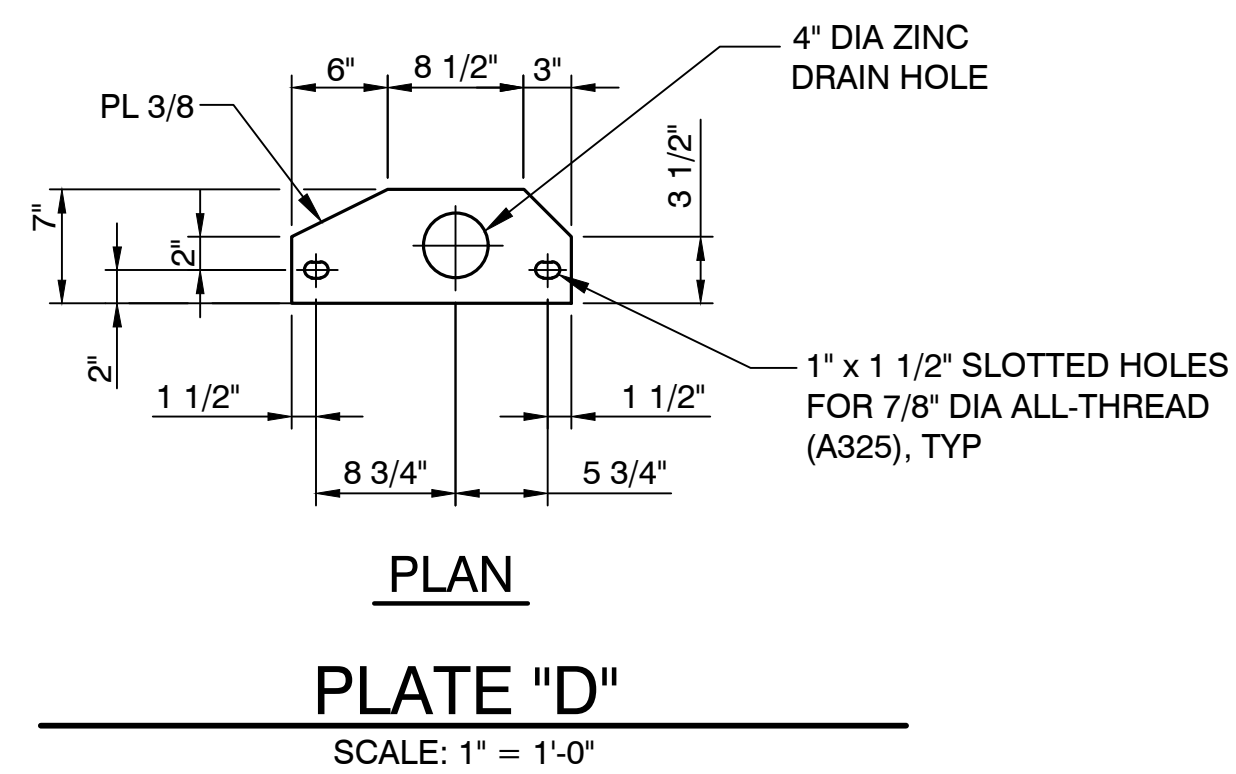
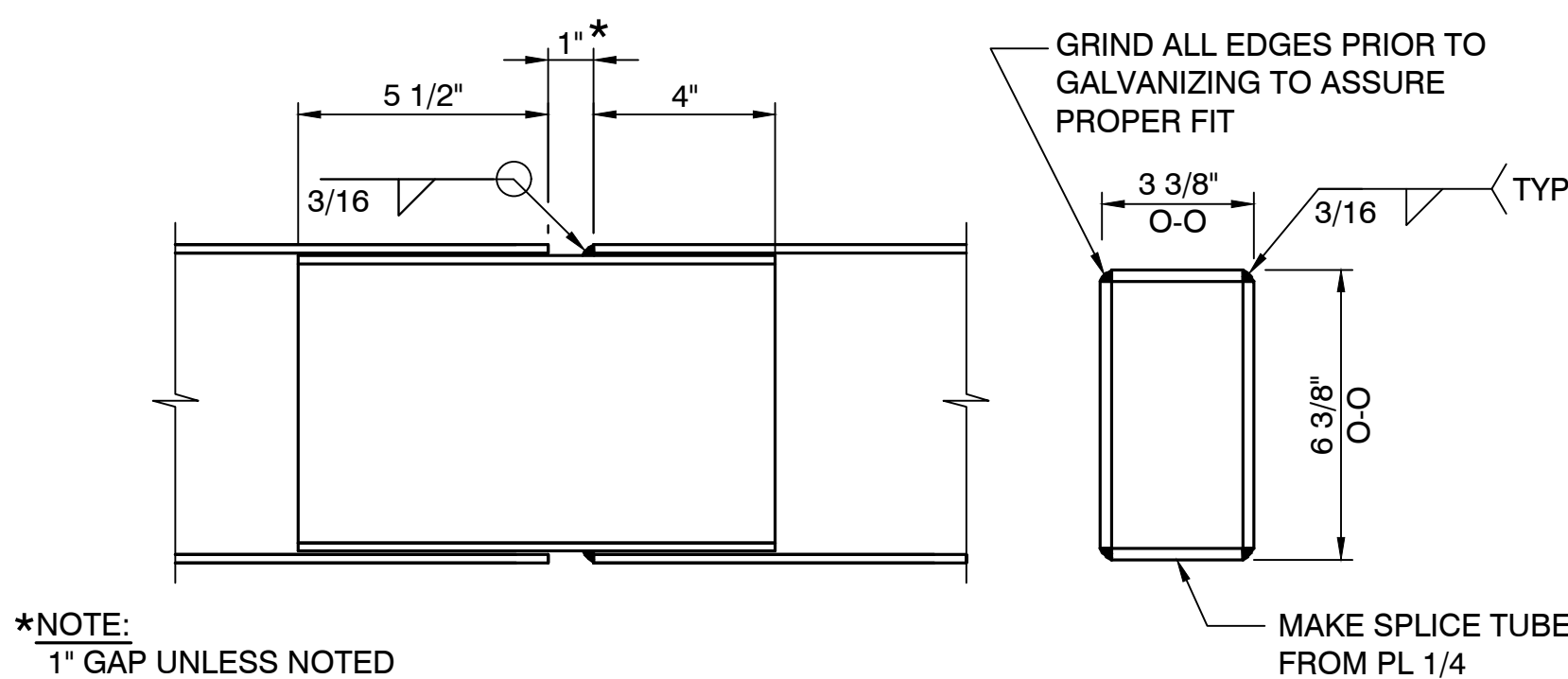
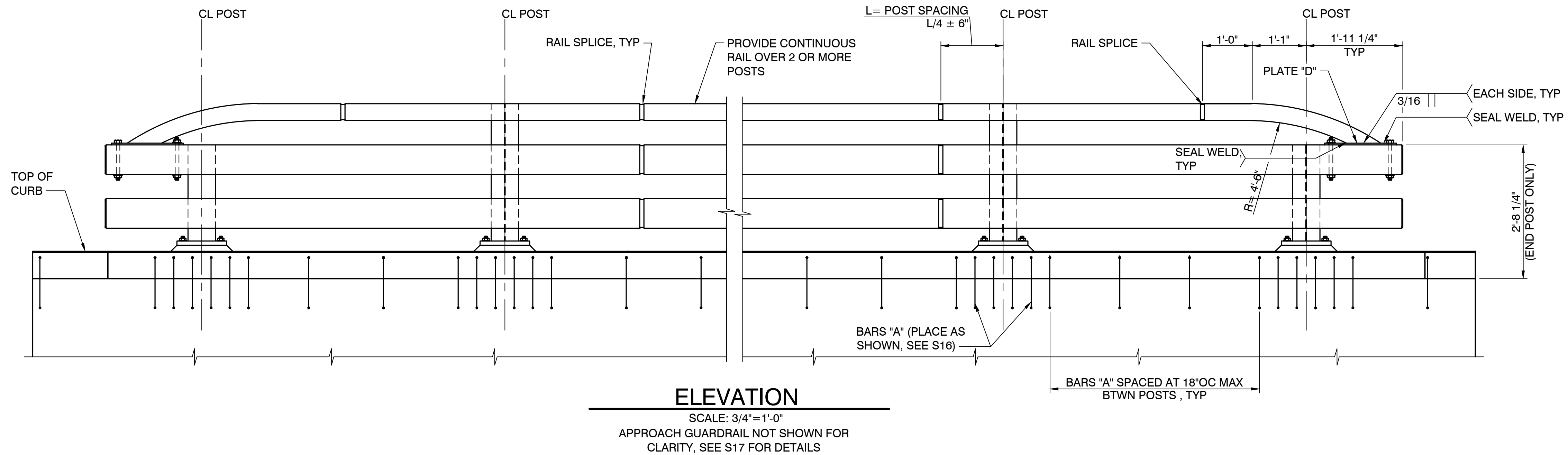
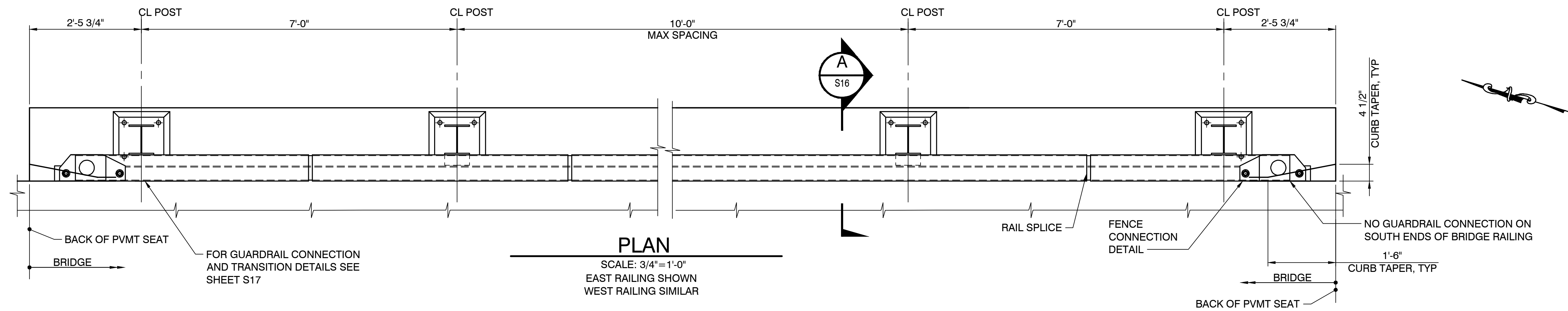
S14
24
OF
28

CALL 48 HOURS BEFORE YOU DIG
1-800-424-5555
"It's the Law"
Utilities Underground Location Center

kpff
1601 5th Avenue,
Suite 1600
Seattle, WA 98101
206.622.5822
www.kpff.com

Date: _____

GREGORY HAYES
STATE OF WASHINGTON
40827
PROFESSIONAL ENGINEER
7/2/20

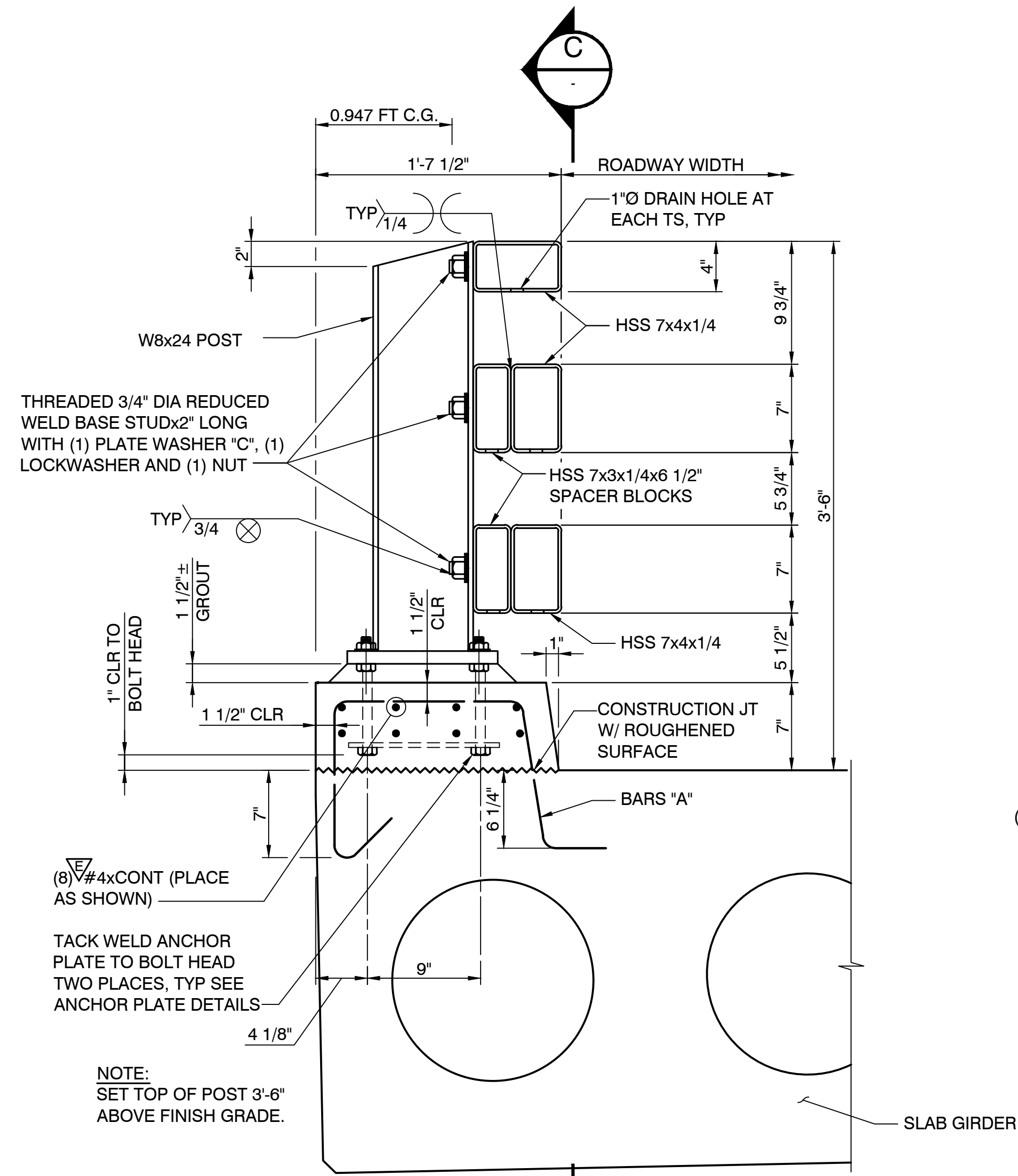


*NOTE:
1" GAP UNLESS NOTED
OTHERWISE ON DETAIL PLANS.
RAIL SPLICE SHALL BE ALIGNED WITH
CURB EXPANSION JOINTS.

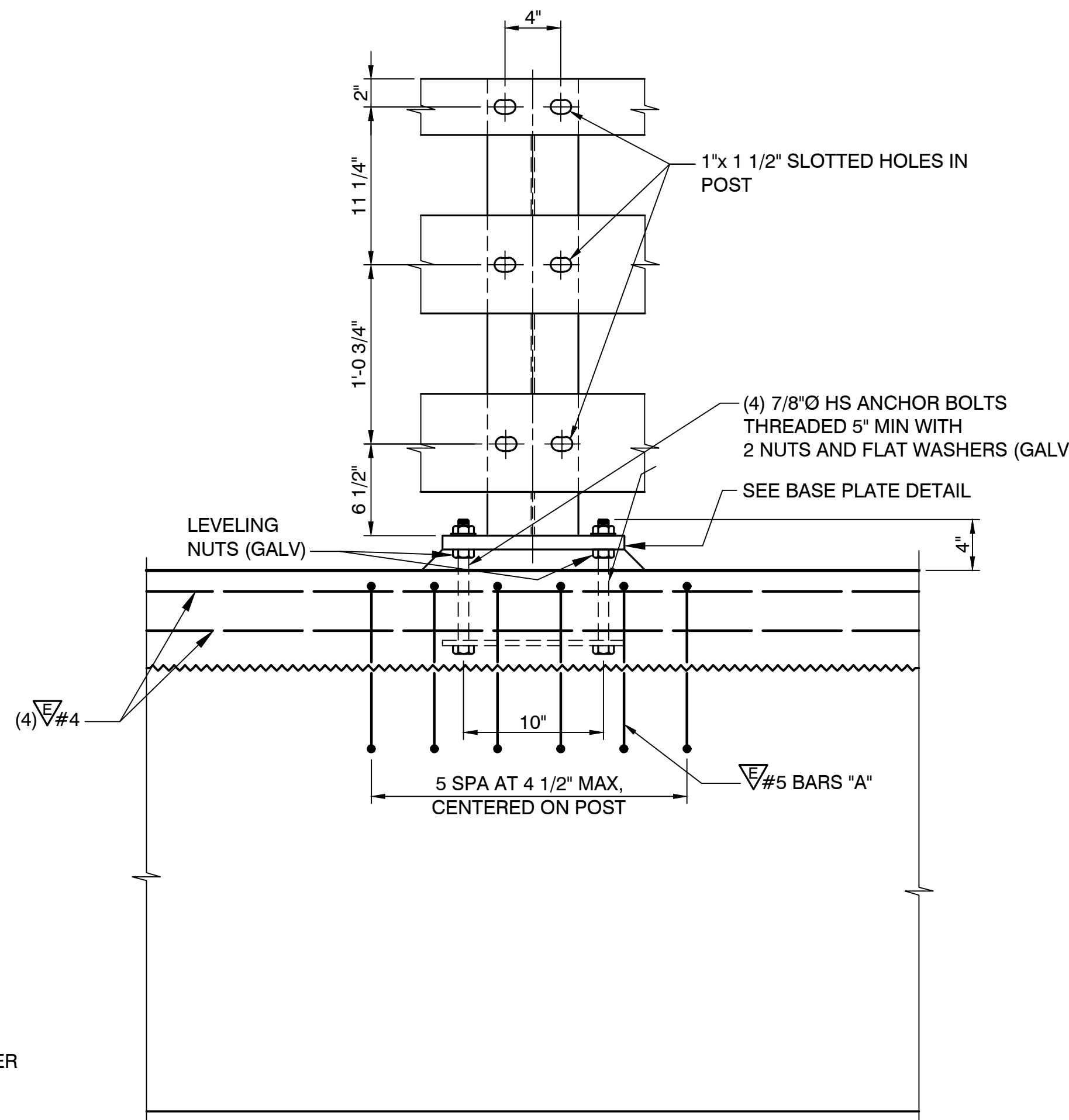
GRIND ALL EDGES PRIOR TO
GALVANIZING TO ASSURE
PROPER FIT

MAKE SPLICE TUBE
FROM PL 1/4

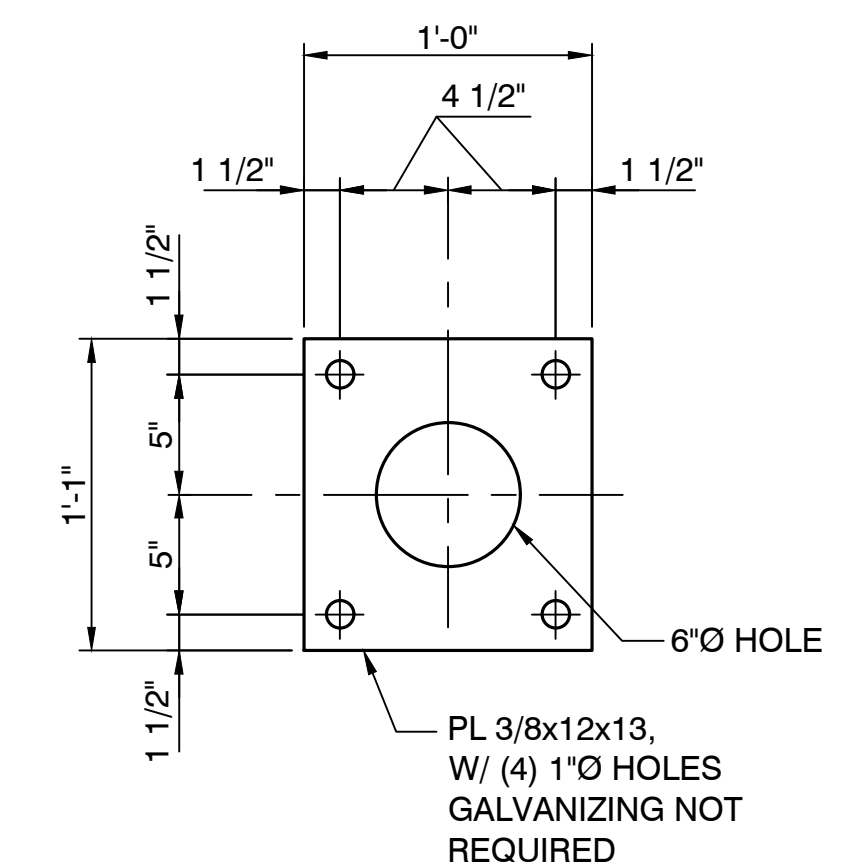
NO.	DATE	REVISION	BY	APP.



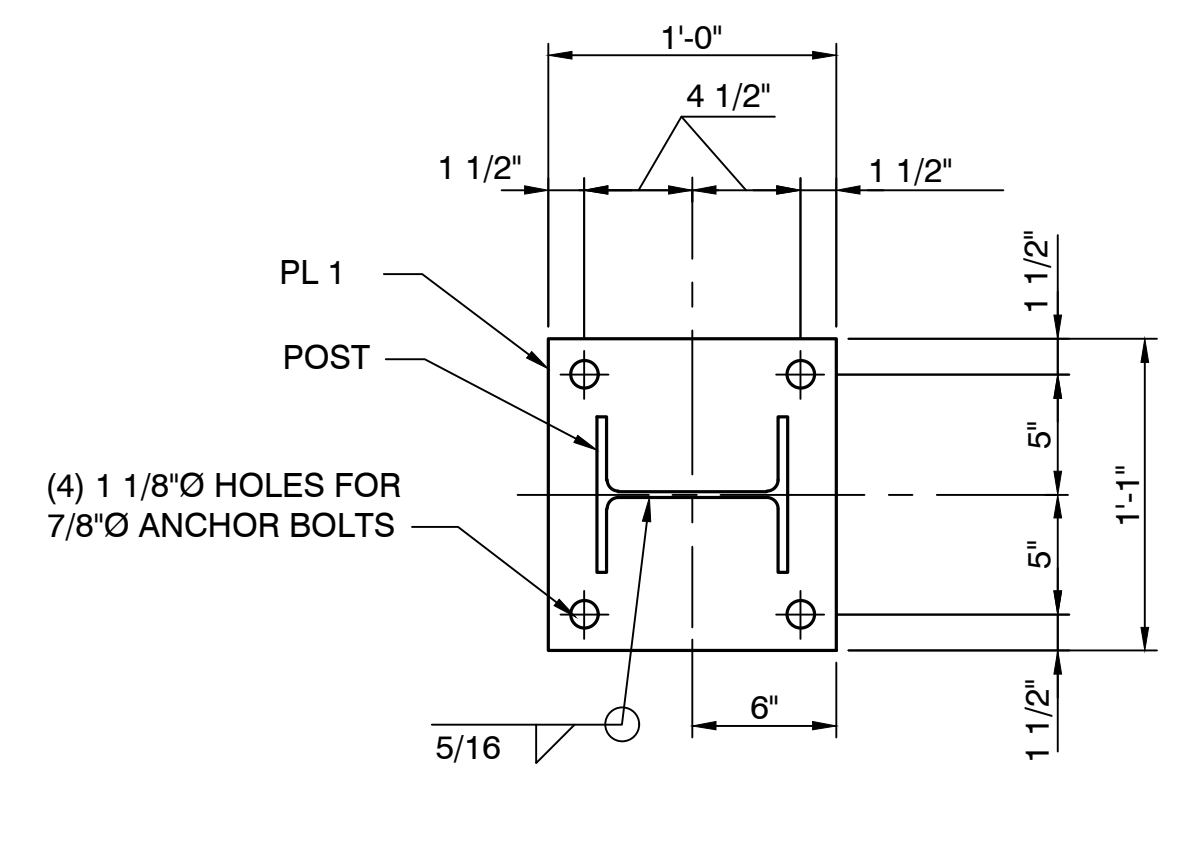
CURB AND POST DETAIL
SCALE: 1 1/2" = 1'-0"



SECTION
SCALE: 1 1/2" = 1'-0"



ANCHOR PLATE DETAILS
SCALE: 1 1/2" = 1'-0"



BASE PLATE DETAILS
SCALE: 1 1/2" = 1'-0"

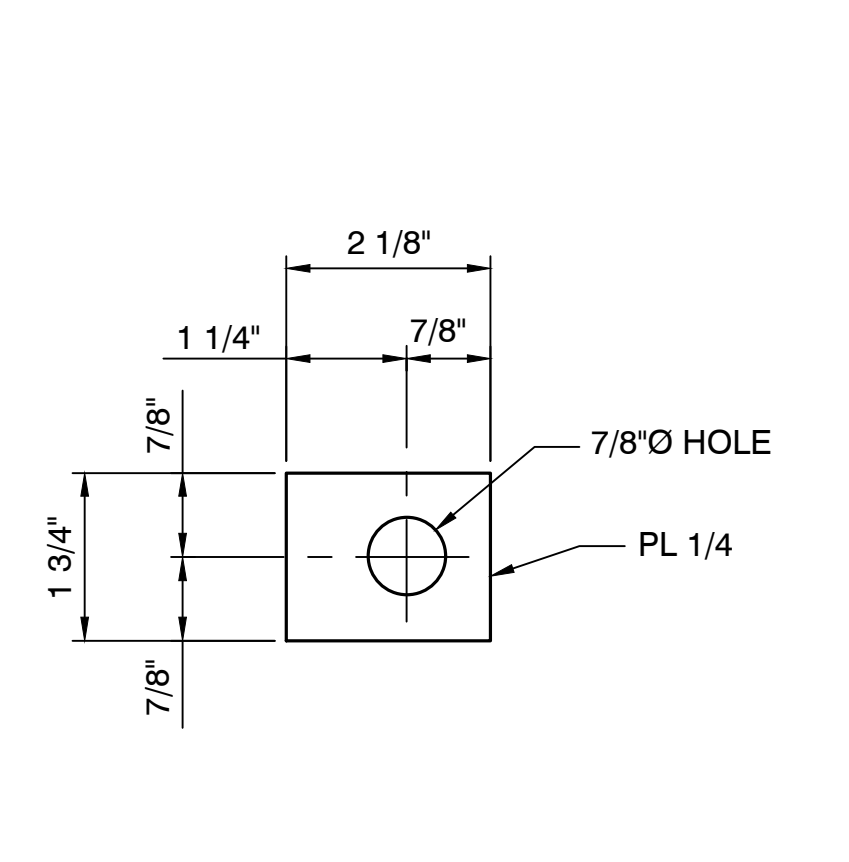
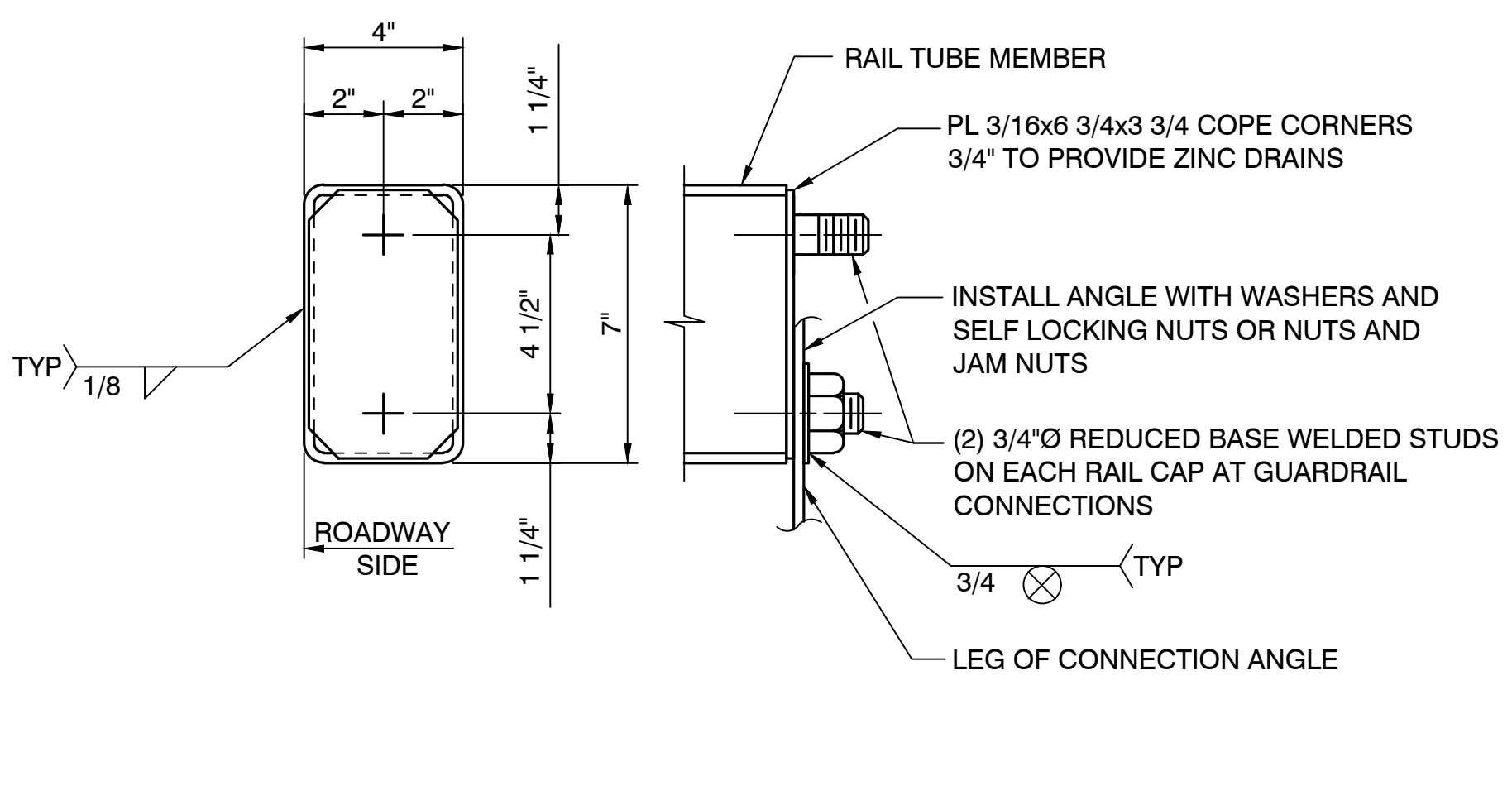


PLATE WASHER "C"
SCALE: 6" = 1'-0"



RAIL CAP DETAILS
SCALE: 3" = 1'-0"

GENERAL NOTES

- RAIL ELEMENTS FOR THE STRUCTURAL TUBING CONFORMING TO ASTM SPECIFICATION A500 GRADE B, OR A501.
- PROVIDE STEEL POSTS AND PLATES CONFORMING TO ASTM SPECIFICATION A36 UNLESS OTHERWISE NOTED.
- PROVIDE HIGH STRENGTH ANCHOR BOLTS (GRADE 105) ACCORDING TO STD. SPEC. 9-06.5(4).
- CONSTRUCT RAILING CONFORMING TO THE HORIZONTAL AND VERTICAL ALIGNMENT OF THE STRUCTURE. INSTALL POSTS NORMAL TO GRADE IN LONGITUDINAL DIRECTION AND VERTICAL IN TRANSVERSE DIRECTION.
- HOT-DIP GALVANIZED STRUCTURAL STEEL INCLUDING FASTENERS IN ACCORDANCE WITH AASHTO M111/M232 AFTER FABRICATION, EXCEPT AS NOTED.

Lewis County
Department of Public Works
2025 N. E. KRESKY AVE.
CHEHALIS WA 98532
PHONE # (360) 740-1123
FAX # (360) 740-2719

DESIGNED BY : D.K
DRAWN BY : S.Q
CHECKED BY : G.H
DATE : 7/2/2020

NO.	DATE	REVISION	BY	APP.

**TOWNSEND BRIDGE #223
REPLACEMENT**

COUNTY ROAD PROJECT NO: 2186
BRIDGE RAILING DETAILS 2 OF 3

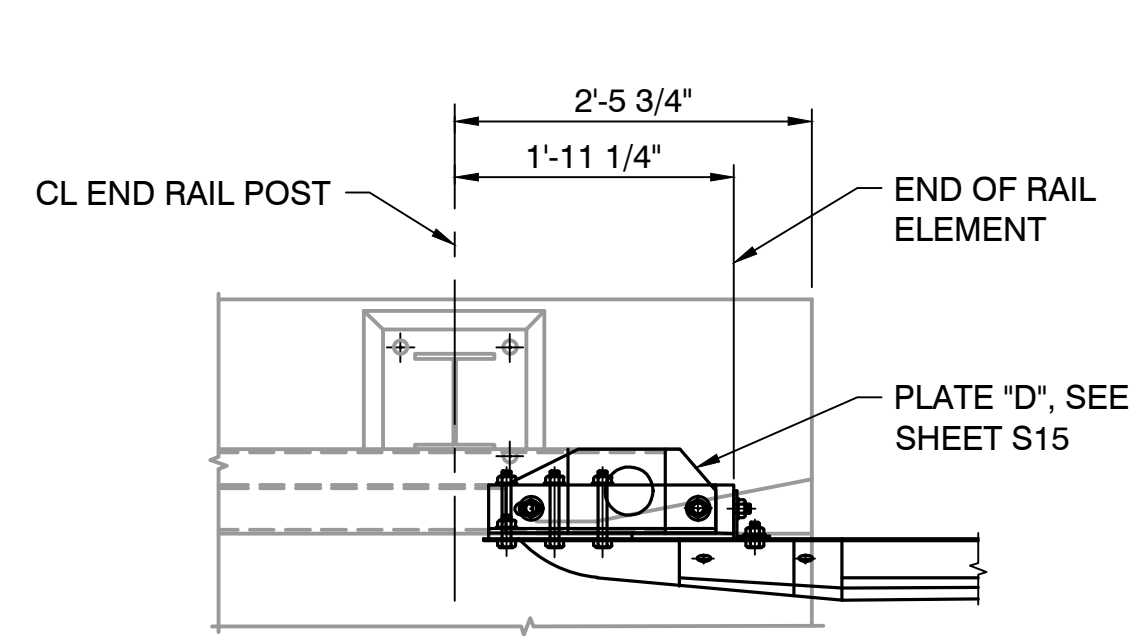
S16
26
OF
28

CALL 48 HOURS BEFORE YOU DIG
1-800-424-5555
"It's the Law"
Utilities Underground Location Center

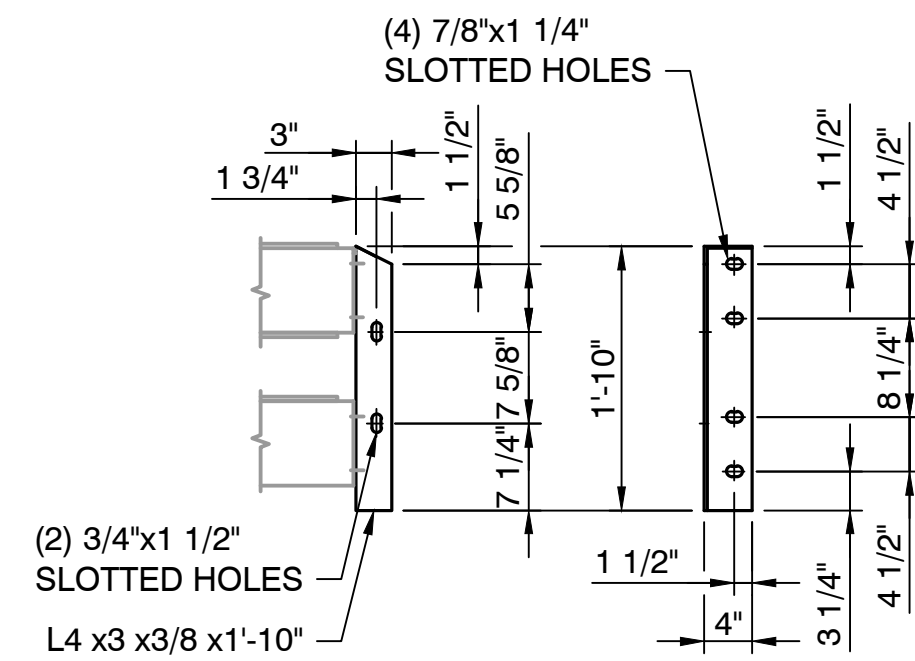
kpff
1601 5th Avenue,
Suite 1600
Seattle, WA 98101
206.622.5822
www.kpff.com
Date: _____

GREGORY HARRIS
STATE OF WASHINGTON
PROFESSIONAL ENGINEER
40827
7/2/20

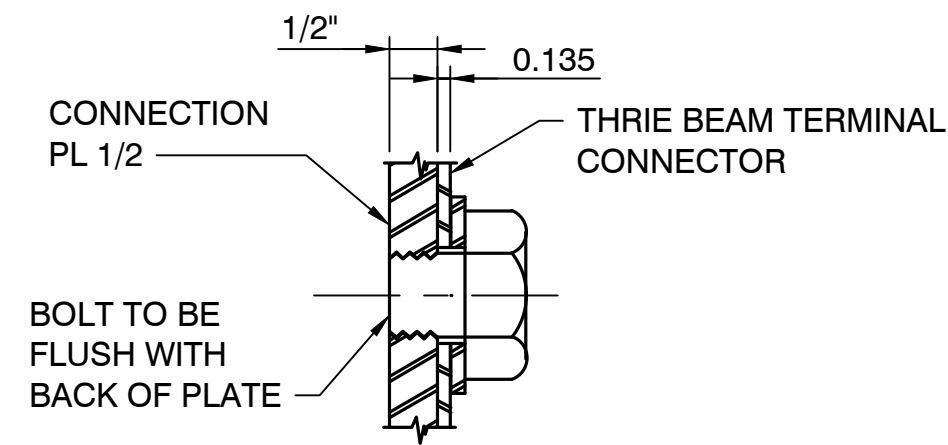
7/2/2020 9:27 AM



PLAN



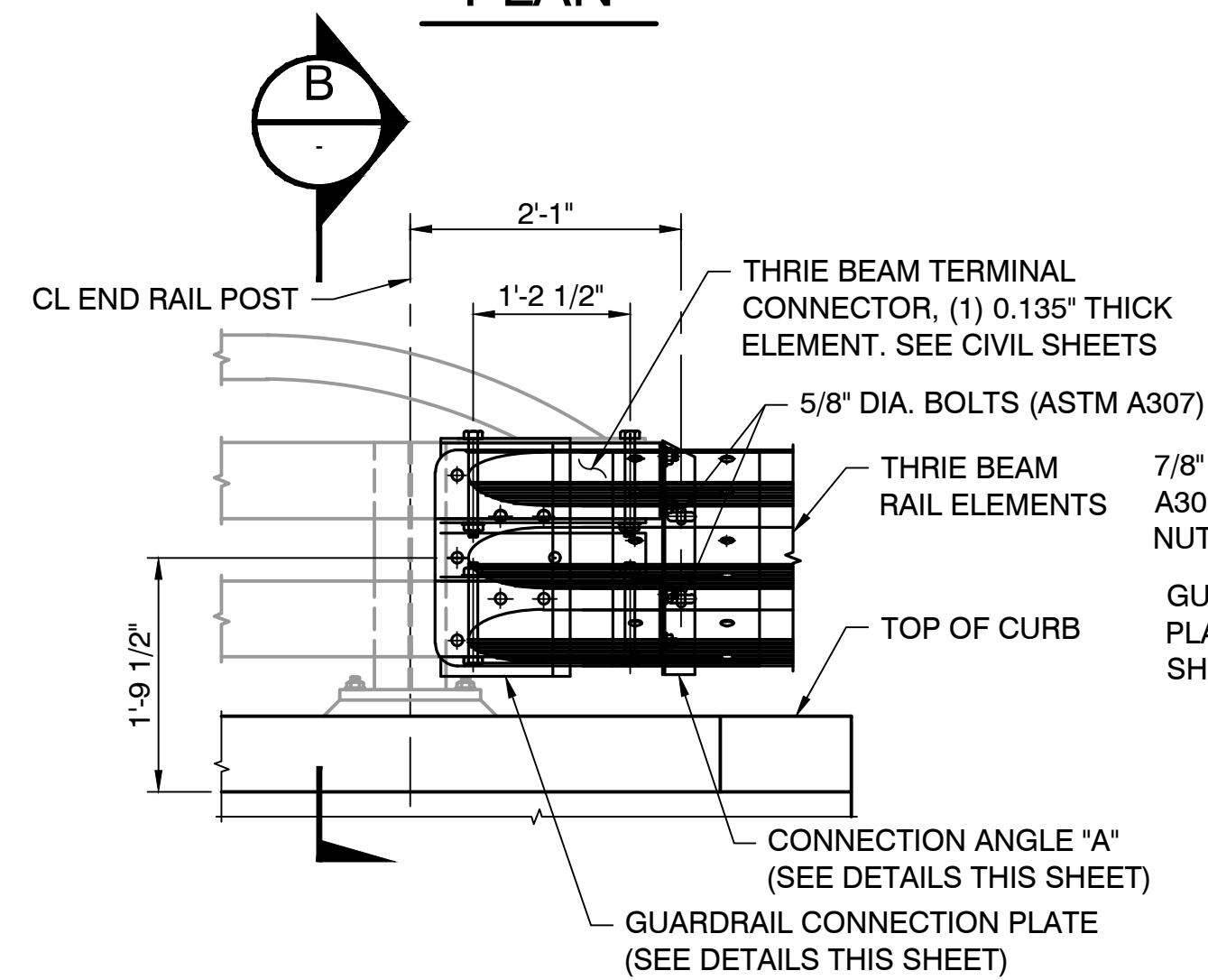
CONNECTION ANGLE "A"



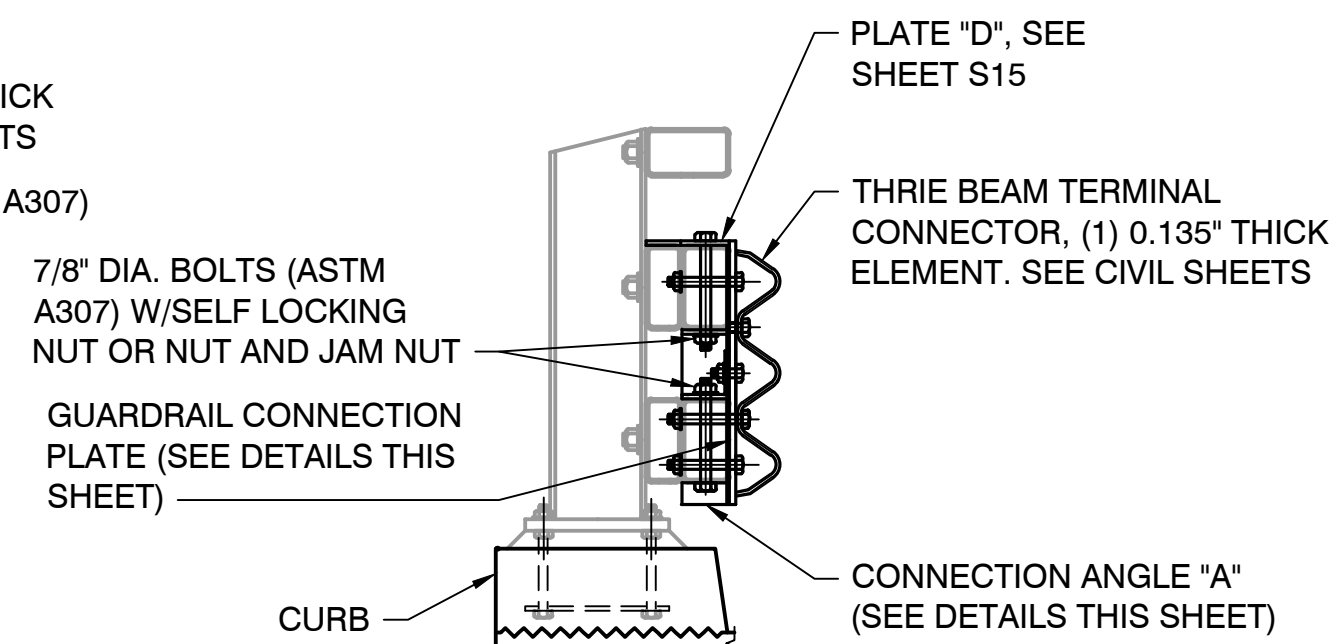
DETAIL A

GENERAL NOTES

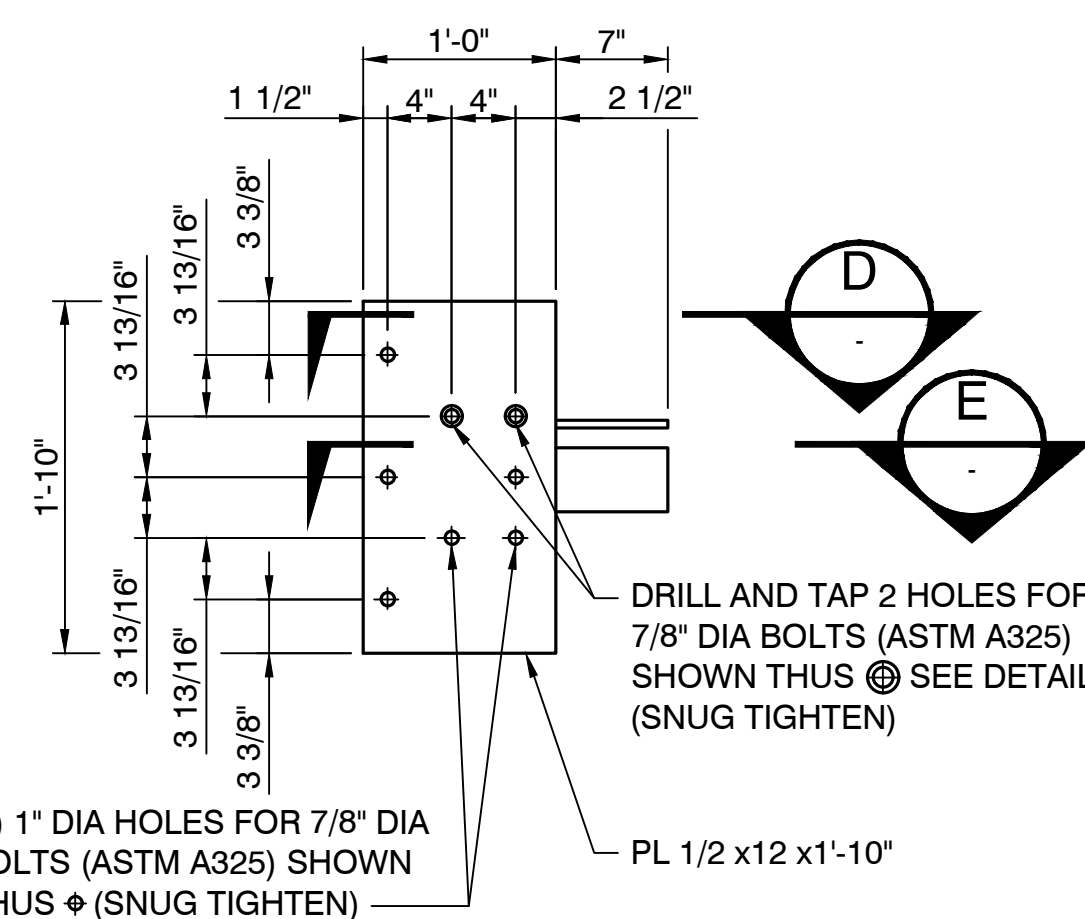
1. PROVIDE STEEL PLATES CONFORMING TO AASHTO M183 (ASTM A36).



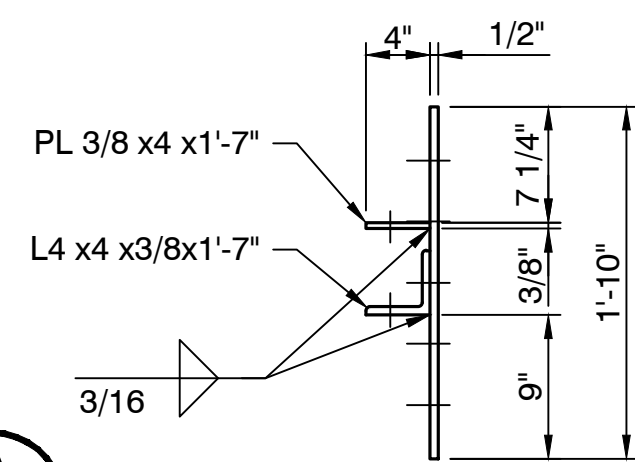
ELEVATION: TRANSITION CONNECTION TYPE 1



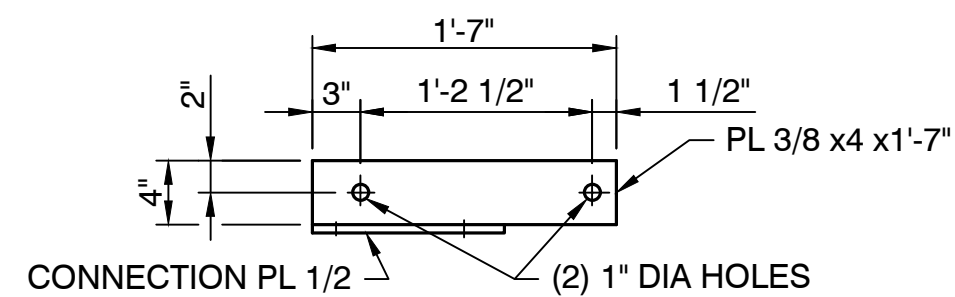
SECTION B



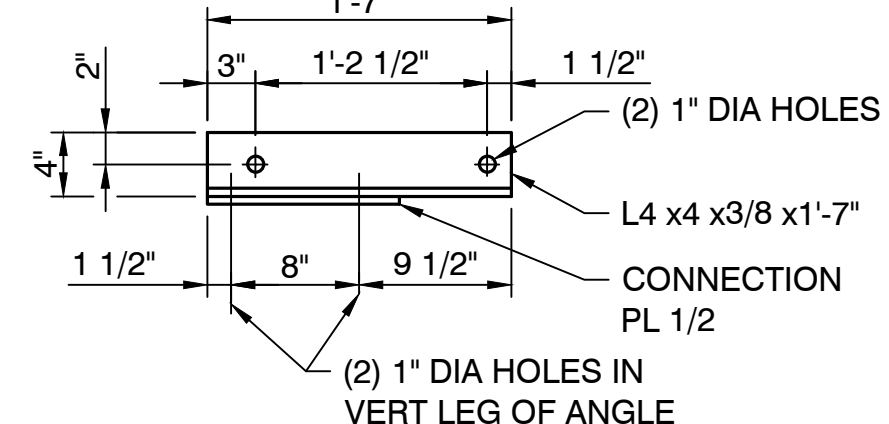
GUARDRAIL CONNECTION PLATE DETAIL



SIDE VIEW



SECTION D



SECTION E

NOTE
VERIFY ALL BOLT HOLE LOCATIONS
TO MATCH THRIE BEAM TERMINAL
CONNECTOR.

V:\1900139 (Townsend Road Bridge Replacement)\Design (v2019)\S17.dwg

Lewis County
Department of Public Works
2025 N. E. KRESKY AVE.
CHEHALIS WA 98532
PHONE # (360) 740-1123
FAX # (360) 740-2719

DESIGNED BY : D.K
DRAWN BY : S.Q
CHECKED BY : G.H
DATE : 7/2/2020

NO.	DATE	REVISION	BY	APP.

TOWNSEND BRIDGE #223
REPLACEMENT

COUNTY ROAD PROJECT NO: 2186

BRIDGE RAILING DETAILS 3 OF 3

S17
27
OF
28

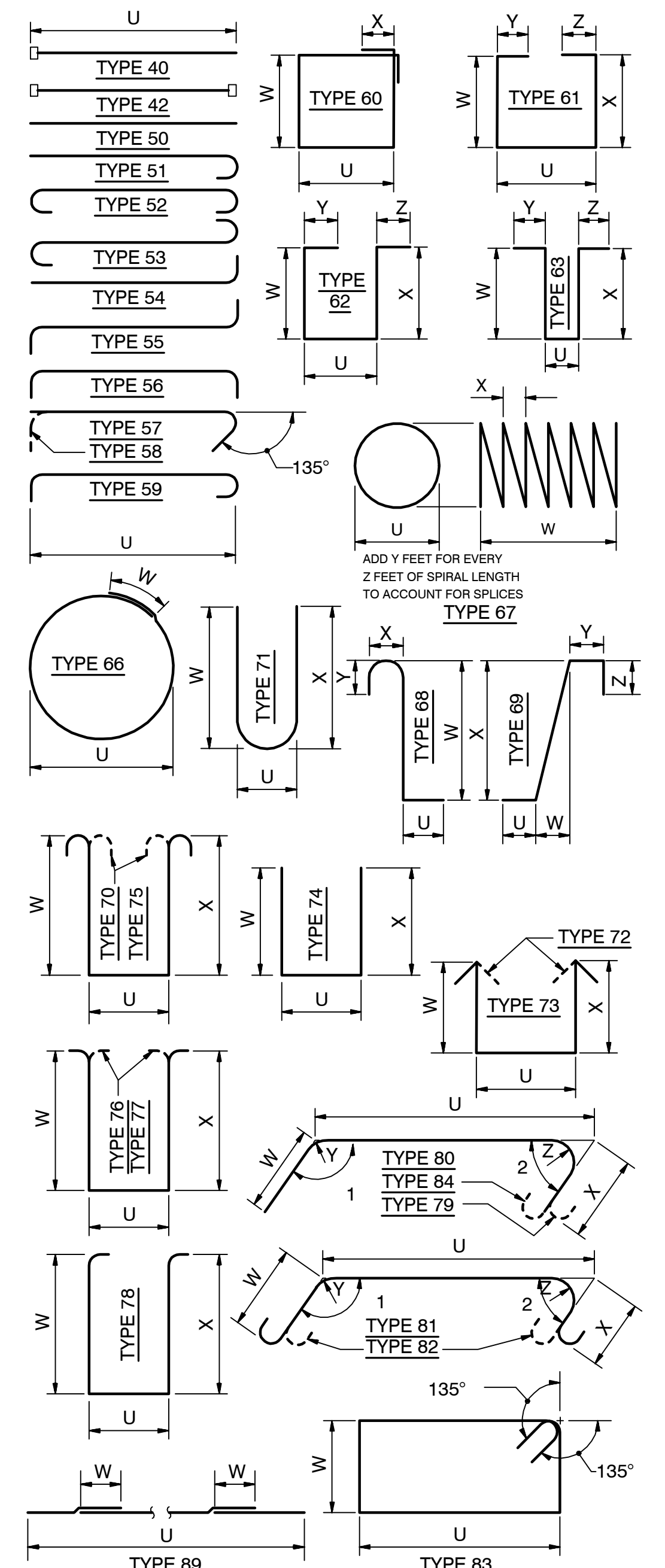
CALL 48 HOURS
BEFORE YOU DIG
1-800-424-5555
"It's the Law"
Utilities
Underground
Location Center

kpff
1601 5th Avenue,
Suite 1600
Seattle, WA 98101
206.622.5822
www.kpff.com
Date: _____

GREGORY HAYES
STATE OF WASHINGTON
PROFESSIONAL ENGINEER
40827
7/2/20

S = Bar is included in substructure quantities.
 F = Bar to be field welded.
 T = Tie or Stirrup.
 E = Bar is to be epoxy coated.
 V = Bar dimensions vary between dimensions shown on this line and the following line.

MARK NO.	LOCATION	SIZE	NUMBER REQ'D	BEND TYPE	TIE OR STIRRUP	FLD. WELD	SUBSTR.	EPOXY COAT	VARIES	NO. EACH	DIMENSIONS (Out to Out)												LENGTH		WEIGHT Lbs.					
											U		W		X		Y		Z		Θ ₁	Θ ₂	Ft.	In.						
											Ft.	In.	Ft.	In.	Ft.	In.	Ft.	In.	Ft.	In.	Deg.	Deg.								
END DIAPHRAGMS																														
ED1	Top Transverse	6	6	50					E		21	3.0											21	3.0	191					
ED2	Bottom Transverse	6	6	50							21	3.0											21	3.0	191					
ED3	Sides	4	12	56							21	3.0											22	4.5	179					
ED4	Top Tie	4	44	58	T				E		1	8.5											2	4.4	70					
ED5	Stirrup	4	44	72	T						1	8.5	3	2.0	3	2.0							8	7.3	253					
ED6	Stirrup	4	44	58	T						3	2.0											3	9.9	112					
GIRDER STOPS																														
GS1	Vertical	4	12	74								10.0	3	9.0	3	9.0							8	1.5	65					
GS2	Horizontal	4	32	56							1	9.0											2	10.5	61					
ABUTMENTS																														
AB1	Top Horizontal	5	6	50				S			23	7.0											23	7.0	148					
AB2	Horizontal	5	38	74				S			23	7.0	1	4.0	1	4.0							25	11.9	1,030					
AB3	Near Face Vertical	8	50	54				S	V	25	10	6.0											11	7.5	1,518					
								S			10												11	1.5						
AB4	Far Face Vertical	8	50	54				S	V	25	10	6.0											11	7.5	1,518					
								S			10												11	1.5						
AB5	Stemw all Top Tie	5	50	54	T			S			1	9.0											2	1.3	110					
AB6	Footing Long Top & Bot	8	100	74				S			11	8.0	1	5.0	1	5.0							14	1.0	3,760					
AB7	Footing Tran Top & Bot	4	68	74				S			23	6.0	1	3.0	1	3.0							25	9.5	1,171					
AB8	Stemw all Tie	4	124	58	T			S			1	9.0											2	4.9	200					
WINGWALL 1-WEST																														
WW1A	Horiz adj to w all FF	8	10	80				S			1	9.0	5	6.0	1	1.5			4				8	1.9	218					
WW2A	Horiz adj to w all NF	4	10	80				S			1	9.0	5	6.0	1	1.5			4	4	4	165	270	8	2.3	55				
WW3A	Verticals	4	12	56				S			11	1.5											12	3.0	98					
WW4A	Fillet Ties	6	16	52				S			6	6.2											7	10.7	190					
WW5A	Verticals in Fillet	6	3	50				S			7	6.0											7	6.0	34					
WW6A	Ties	4	84	58	T			S			1	9.0											1	4.9	79					
WW7A	Horiz adj to girder FF	8	4	56				S			4	9.0											6	12.0	75					
WW8A	Horiz adj to girder NF	4	4	56				S			4	9.0											5	10.5	16					
WINGWALL 1-EAST																														
WW1B	Horiz adj to w all FF	8	18	80				S			1	9.0	8		1	1.5			4				10	7.9	512					
WW2B	Horiz adj to w all NF	4	10	80				S			1	9.0	8		1	1.5			4	4	4	165	270	10	8.3	71				
WW3B	Verticals	4	18	56				S			11	1.5											12	3.0	147					
WW4B	Fillet Ties	6	16	52				S			6	6.2											7	10.7	190					
WW5B	Verticals in Fillet	6	3	56				S			7	6.0											9	2.3	41					
WW6B	Ties	4	126	58	T			S			1	9.0											1	4.9	119					
WW7B	Horiz adj to girder FF	8	6	56				S			7	3.0											9	6.0	152					
WW8B	Horiz adj to girder NF	4	4	56				S			7	3.0											8	4.5	22					
WINGWALL 2-WEST																														
WW1C	Horiz adj to w all FF	8	20	55				S			10	7.5											12	10.5	687					
WW2C	Horiz adj to w all NF	4	11	56				S			10	7.5											11	9.0	86					
WW3C	Verticals	4	20	56				S			11	8.0											12	9.5	171					
WW4C	Fillet Ties	6	18	52				S			6	0.5											7	5.0	201					
WW5C	Verticals in Fillet	6	3	50				S			8	0.0											8	0.0	36					
WW6C	Ties	4	110	58	T			S			1	9.0											1	4.9	104					
WW7C	Horiz adj to girder FF	8	6	56				S			8	9.0											10	12.0	176					
WW8C	Horiz adj to girder NF	4	4	56				S			8	9.0											9	10.5	26					
WINGWALL 2-EAST																														
WW1D	Horiz adj to w all FF	8	11	55				S			6	7.5											8	10.5	261					
WW2D	Horiz adj to w all NF	4	11	56				S			6	7.5											7	9.0	57					
WW3D	Verticals	4	12	56				S			11	8.0											12	9.5	103					
WW4D	Fillet Ties	6	18	52				S			6	0.5											7	5.0	201					
WW5D	Verticals in Fillet	6	3	50				S			8	0.0											8	0.0	36					
WW6D	Ties	4	66	58	T			S			1	9.0											1	4.9	62					
WW7D	Horiz adj to girder FF	8	4	56				S			4	9.0											6	12.0	75					
WW8D	Horiz adj to girder NF	4	4	56				S			4	9.0											5	10.5	16					
BARRIER																														
A	Bars "A"	5	162	78				E			1	3.0	1	0.5		11.8							4	5.0	746					
Cont	Continuous	4	16	89				E			63	5.0	2	0.0									65	5.0	699					



NOTES:

- ALL REINFORCING ON THIS SHEET SHALL BE ASTM A706 Gr 60 UNLESS SHOWN OTHERWISE.
- REINFORCING FOR GIRDERS IS NOT INCLUDED IN THE BAR LIST, SEE RESPECTIVE SHEETS FOR REINFORCING DETAILS.
- BEND FOR TRANSVERSE BARS DUE TO ROADWAY CROWN CONDITIONS HAS NOT BEEN SHOWN. THESE BARS SHALL BE BENT AS REQUIRED TO CONFORM TO THE CONFIGURATION OF THE STRUCTURE.
- THIS SHEET IS NOT A CONTRACT DRAWING. NUMBER AND LENGTH OF BARS TO BE DETERMINED BY THE CONTRACTOR FROM PLANS.

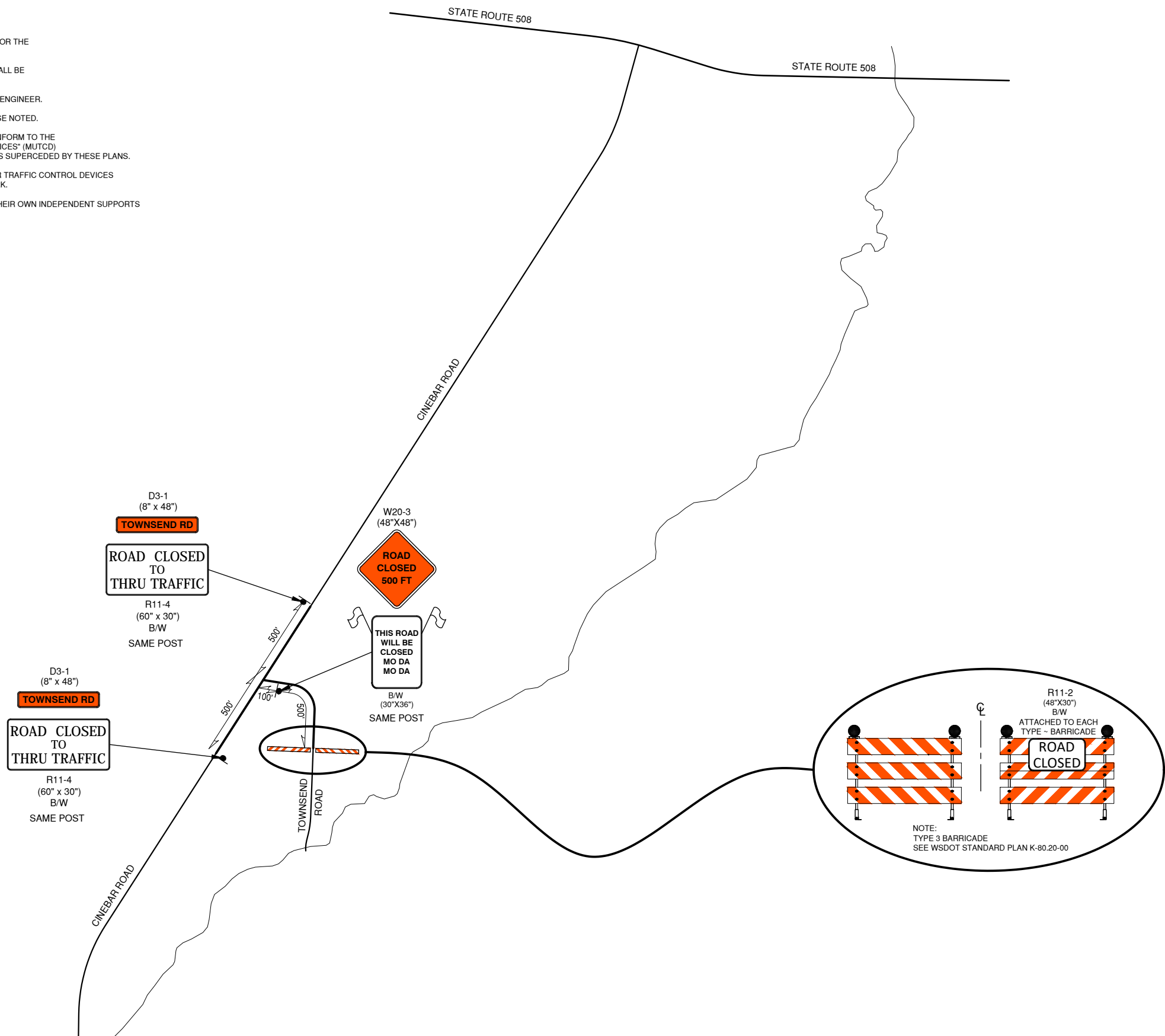
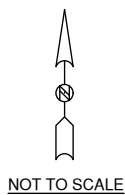
<p>2025 N. E. KRESKY AVE. CHEHALIS WA 98532 PHONE # (360) 740-1123 FAX # (360) 740-2719</p>	<p>DESIGNED BY : D.K DRAWN BY : S.Q CHECKED BY : G.H DATE : 7/2/2020</p>	<p>NO. DATE REVISION BY APP.</p>		<p>TOWNSEND BRIDGE #223 REPLACEMENT</p>	<p>COUNTY ROAD PROJECT NO: 2186</p>	<p>S18 28 OF 28</p>	<p>CALL 48 HOURS BEFORE YOU DIG 1-800-424-5555 "It's the Law" Utilities Underground Location Center</p>	<p>1601 5th Avenue, Suite 1500 Seattle, WA 98101 206.622.5822 www.kpff.com</p>
		<p>BAR LIST</p>	<p>Date: _____</p>					


NOTES:

1. MAINTAIN REGULATORY TRAFFIC CONTROL DEVICES FOR THE DURATION OF THE PROJECT.
2. TWO FLASHING WARNING LIGHTS (TYPE A, MUTCD) SHALL BE USED TO MARK EACH BARRICADE AT NIGHT.
3. SIGN LOCATIONS TO BE MARKED IN THE FIELD BY THE ENGINEER.
4. ALL SIGNS ARE BLACK ON ORANGE UNLESS OTHERWISE NOTED.
5. ALL TEMPORARY TRAFFIC CONTROL WORK SHALL CONFORM TO THE LATEST "MANUAL OF UNIFORM TRAFFIC CONTROL DEVICES" (MUTCD) AND ALL WASHINGTON STATE MODIFICATIONS, UNLESS SUPERCEDED BY THESE PLANS.
6. TEMPORARY CONSTRUCTION SIGNING AND ALL OTHER TRAFFIC CONTROL DEVICES SHALL BE IN PLACE PRIOR TO THE START OF ANY WORK.
7. ALL CONSTRUCTION SIGNS SHALL BE ATTACHED TO THEIR OWN INDEPENDENT SUPPORTS UNLESS SHOWN OTHERWISE.

LEGEND

-  TYPE 3R BARRICADE
-  TYPE 3L BARRICADE
-  SIGN LOCATION



 Lewis County
 Department of Public Works
 2025 N. E. KRESKY AVE.
 CHEHALIS WA 98532
 PHONE # (360) 740-1123
 FAX # (360) 740-2719

DESIGNED BY : DJC
 DRAWN BY : CGA
 CHECKED BY :
 DATE :

NO.	DATE	REVISION	BY	APP.

TOWNSEND ROAD

F.A. PROJECT NO: BROS-2021 (056)
 COUNTY PROJECT NO: 2186
 CONSTRUCTION SIGNS CLASS A
 TRAFFIC CONTROL PLAN

SHEET
 1
 OF
 1



Donald J. Carney, P.E.
 Senior Engineer/Design
 Date: 9-23-2020

